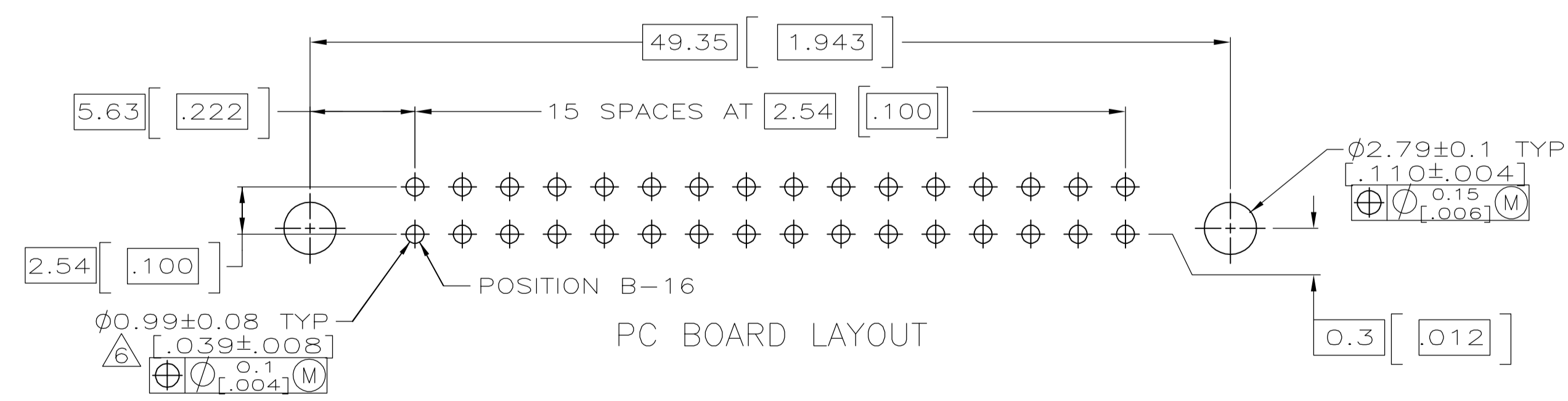
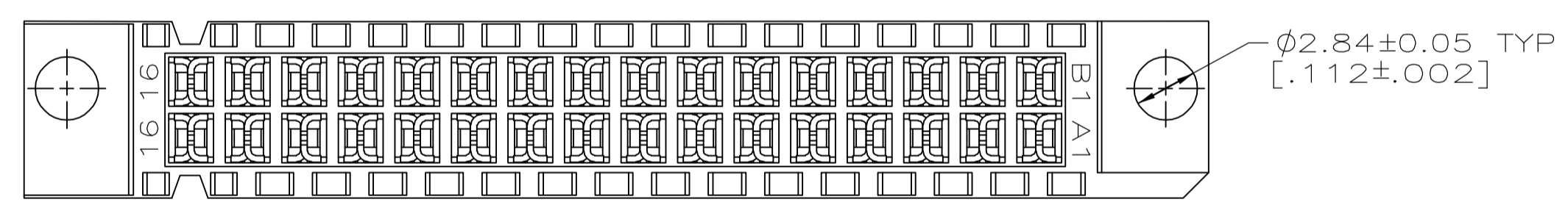
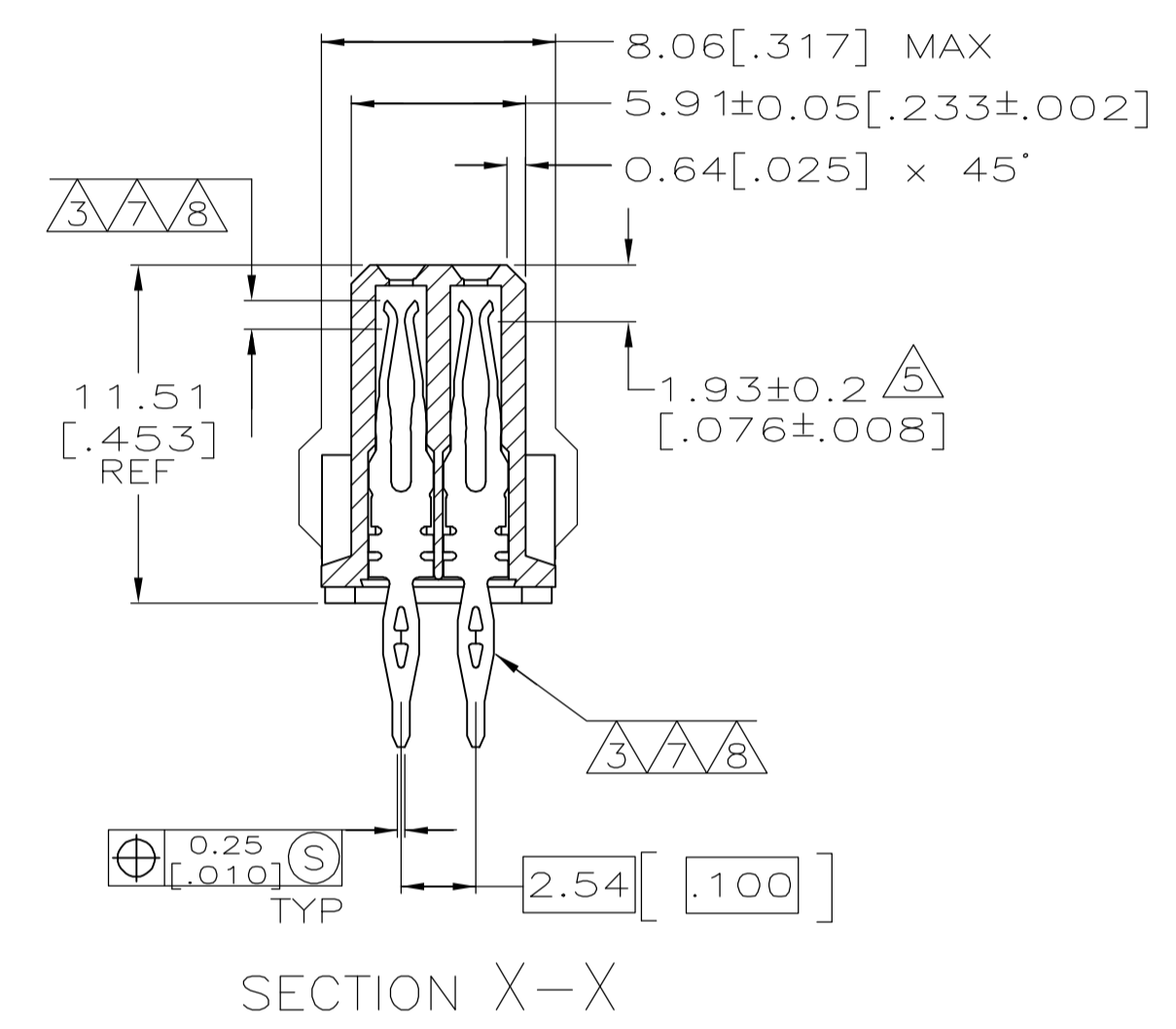
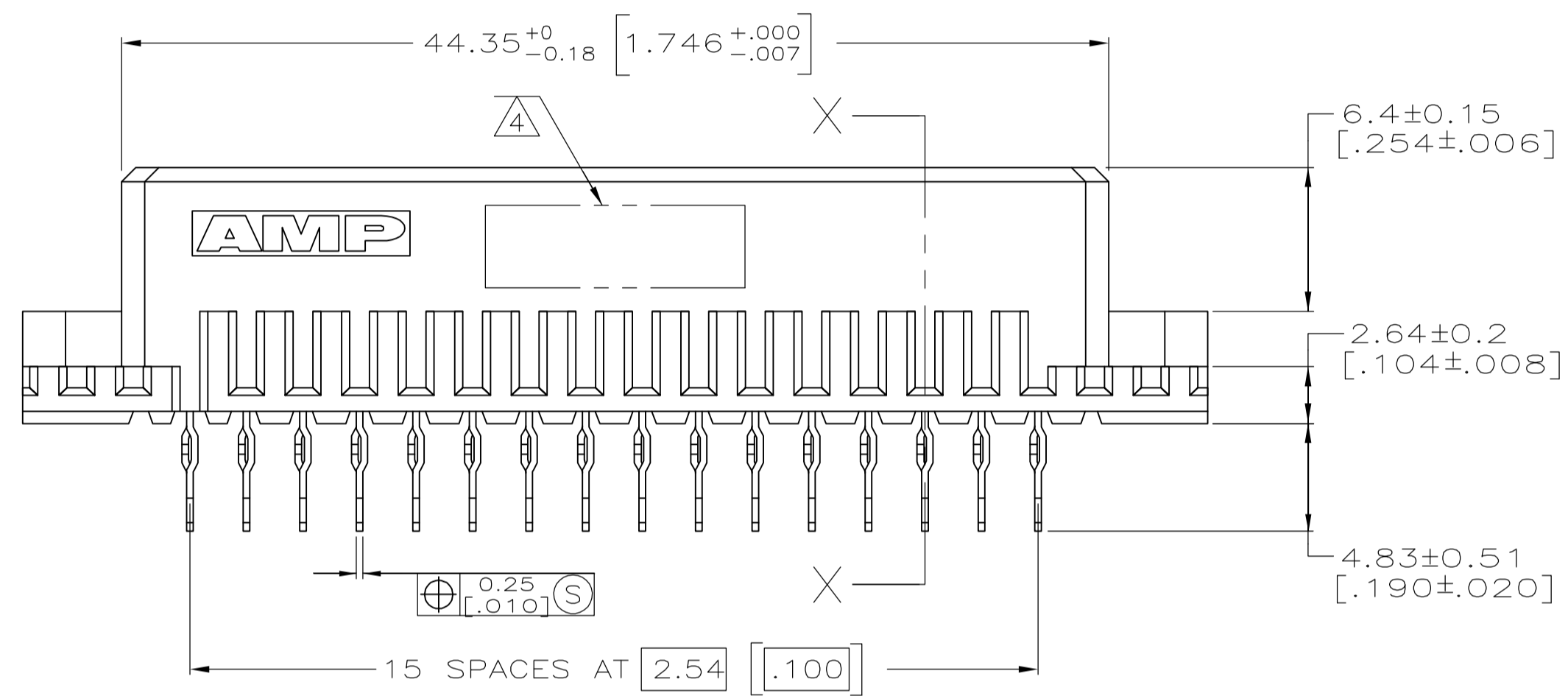
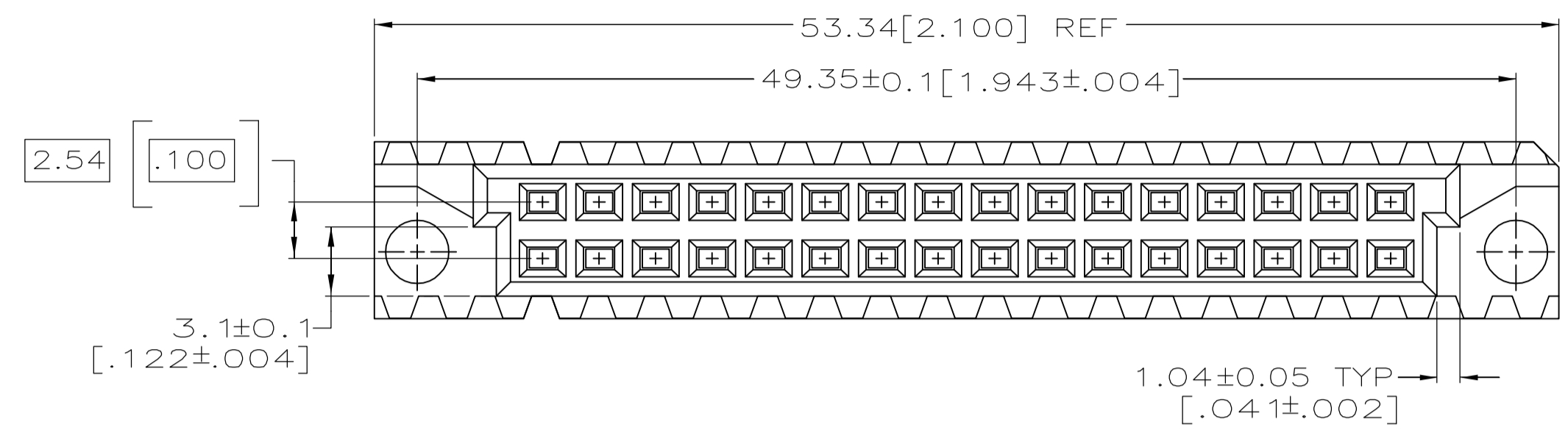


- ① HOUSING MATERIAL: GLASS-FILLED POLYESTER. COLOR: GRAY.
- ② CONTACT MATERIAL: PHOSPHOR BRONZE.
- ③ CONTACT FINISH: DIN 41612 CLASS 2 IN CONTACT AREA. NICKEL UNDERPLATE ALL OVER. TIN-LEAD ON POSTS.
- ④ PART NUMBER, DATE CODE IDENTIFICATION, CSA LOGO IN THIS APPROXIMATE AREA, ON REVERSE SIDE.
- ⑤ POINT OF MEASUREMENT FOR GOLD.
- ⑥ ACTION PIN POSTS REQUIRE 1.57[.062] MINIMUM THICK PC BOARD. RECOMMENDED PC BOARD HOLES ARE $\phi 1.151 \pm 0.02$ [.0453 ± .001] DRILLED HOLES WITH 0.02-0.08 [.001-.003] COPPER AND 0.008 [.0003] MINIMUM TIN-LEAD PLATING. FINISHED HOLES AFTER PLATING, $\phi 0.94-1.09$ [.037-.043].
- ⑦ CONTACT FINISH: DIN 41612 CLASS 3 IN CONTACT AREA. NICKEL UNDERPLATE ALL OVER. TIN-LEAD ON POSTS.
- ⑧ CONTACT FINISH: DIN 41612 CLASS 2 IN CONTACT AREA. NICKEL UNDERPLATE ALL OVER. TIN ON POSTS.



SUPERSEDED BY 5650864-5	⑧	1 THRU 16	X	X	32	7-650864-5
OBSOLETE	⑦	1 THRU 16	X	X	32	650864-9
	③	1 THRU 16	X	X	32	650864-5
SUPERSEDED BY 650864-5	③	1 THRU 16	X	X	32	650864-4
NOTE		POSITIONS LOADED	B	A	NO. OF LOADED POSITION	ASSY PART NUMBER
			ROWS LOADED			

THIS DRAWING IS A CONTROLLED DOCUMENT.

DIMENSIONS: mm [INCHES]	TOLERANCES UNLESS OTHERWISE SPECIFIED:	DIN L. BRINER 6/27/90	tyco Electronics Tyco Electronics Corporation Harrisburg, PA 17105-3608
0 PLC ± -	1 PLC ± -	CHK J. BROWN 7/18/90	RECEPTACLE ASSEMBLY, EUROCARD, TYPE B
2 PLC ± -	3 PLC ± 0.13 [.005]	APVD K. PARMER 7/19/90	SIZE CAGE CODE DRAWING NO. RESTRICTED TO
4 PLC ± -	ANGLES ± -		A1 00779 C=650864
MATERIAL ① ②	FINISH ③ ④ ⑤ ⑥ ⑦ ⑧	WEIGHT -	CUSTOMER DRAWING SCALE 4:1 SHEET 1 OF 1 REV H

Mouser Electronics

Authorized Distributor

Click to View Pricing, Inventory, Delivery & Lifecycle Information:

[TE Connectivity:](#)

[650864-5](#)