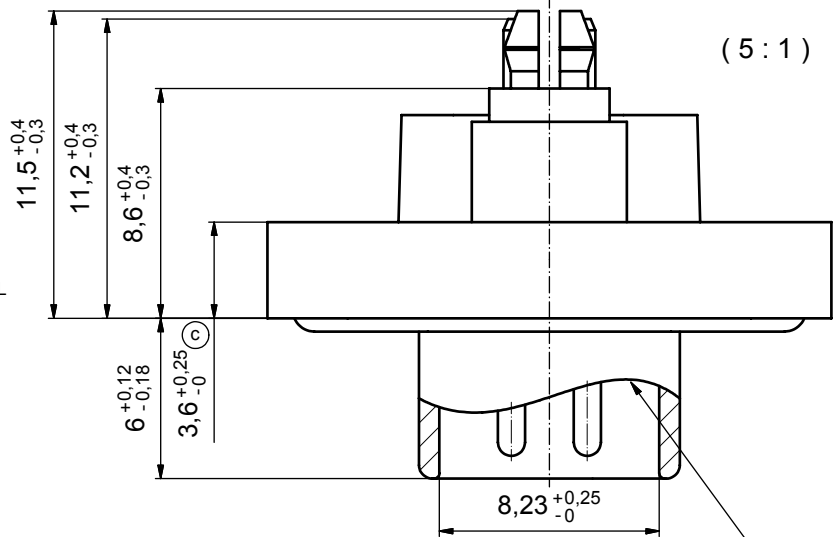


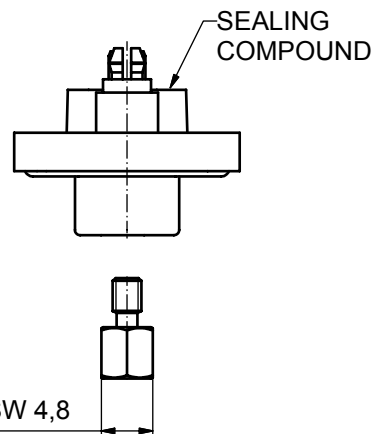
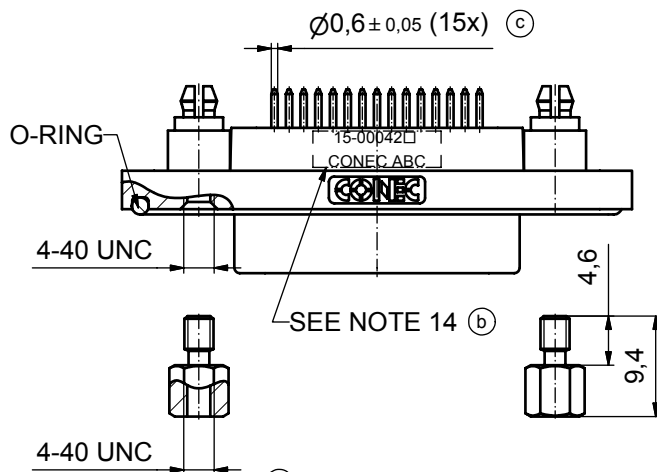
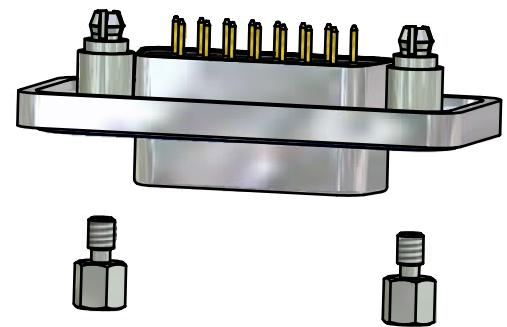
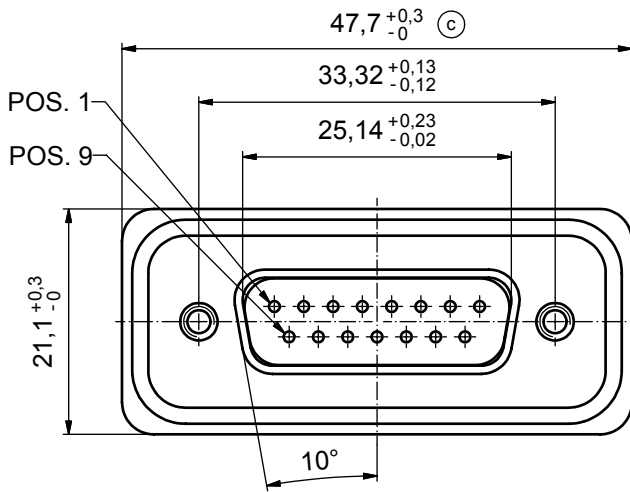
(b) (c)

NOTES:

1. FOR WAVESOLDERING (SOLDER BATH TEMPERATURE 265°C FOR 8 SEC. AND SOLDER PREHEAT 150°C FOR 180 SEC.)
2. IP RATING: IP 67
3. SEALED TO WITHSTAND PRESSURE UP TO 1,45 PSI FOR 30 MINUTES AFTER HIGH TEMPERATURE EXPOSURE
4. METAL SHELL: ZINC DIE CAST; min. 50µin NICKEL PLATING over COPPER
5. INSULATORS: PBT GF UL 94 V-0, BLACK
6. O-RING: SILICONE PER ASTM D2000 70 SHORE A
7. RUBBER GASKET: TPE
8. SEALING COMPOUND: EPOXY RESIN UL 94 V-0; BLACK
9. CONTACTS: COPPER ALLOY PLATING (SEE PART NO):  
 PLEASE ADD 1 for 30µin HARD GOLD over min. 50µin NICKEL  
 PLEASE ADD 3 for 8µin HARD GOLD over min. 50µin NICKEL
10. REAR SPACER CLIPS: COPPER ALLOY; min. 200µin TIN over 80µin NICKEL  
 PCB-HOLE:  $\varnothing 3,1 \pm 0,1$ ; PCB THICKNESS 1,6mm
11. HEXLOCKING SCREWS: STAINLESS STEEL
12. PCB-HOLE DRILLINGS and RECOMMENDED PANEL CUT-OUT ON SHEET 2
13. RECOMMENDED TORQUE FOR MOUNTING SCREW  
 35Ncm (3.1 in.LB) / max.67Ncm (6 in.LB)
14. CONNECTOR IS PART MARKED: 15-00042 CONEC ARC



RUBBER GASKET PLACED ON TOP SURFACE OF MALE INSULATOR



AT ALL TIMES WATER RESISTANT CONNECTORS NOT IN USE SHOULD BE COVERED WITH A CONEC WATER RESISTANT CAP OR WATER TIGHT HOOD.

Directive 2002/95/EC  
 „RoHS“  
 Compliant

APPROVAL # FREIGABE # DEBLOCAGE # AUTORIZACION # APPROVAL	
CUSTOMER APPROVAL DATE:	
NAME:	TITLE:
COMPANY NAME:	
APPROVAL # FREIGABE # DEBLOCAGE # AUTORIZACION # APPROVAL	

THIS DRAWING MAY NOT BE COPIED OR REPRODUCED IN ANY WAY, AND MAY NOT BE PASSED ON TO A THIRD PARTY WITHOUT WRITTEN PERMISSION. OWNERSHIP AND COPYRIGHT OF CONEC GmbH				tolerance		dim. in mm	
DO NOT ALTER CAD DRAWING BY HAND				date	name	scale: 2:1 (5:1)	
5 x c	Ä3435	21.09.09	HS	10.09.08	Schmidt	material: see notes	
3 x b	Ä3129	26.09.08	HS	15.09.08	Fischer	title: D-SUB MALE	
a	Origin					15pos. SOLDER PIN STRAIGHT	
rev.	description	date	name	norm		with rear spacer clip and hexlocking screw	
				d-old		dwg no: Inventor 10	
				CONEC®		DIN-A3	
						sh: 1	
						part no: 15-00042 (see note 9) (b)	

title: D-SUB MALE		15pos. SOLDER PIN STRAIGHT		with rear spacer clip and hexlocking screw	
dwg no: Inventor 10		DIN-A3		sh: 1	
part no: 15-00042 (see note 9) (b)					



# Mouser Electronics

Authorized Distributor

Click to View Pricing, Inventory, Delivery & Lifecycle Information:

[CONEC:](#)

[15-000423](#)