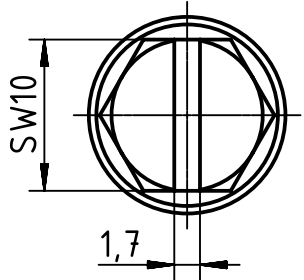
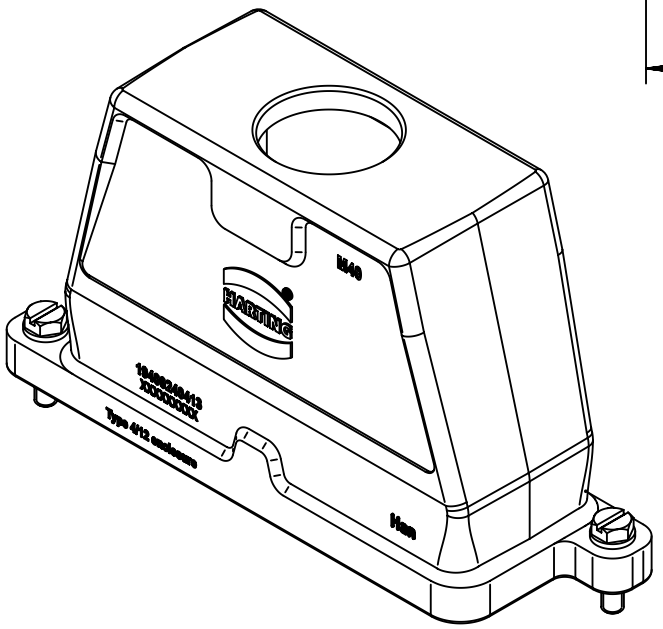
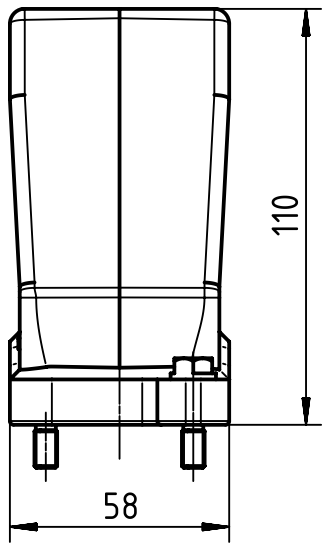
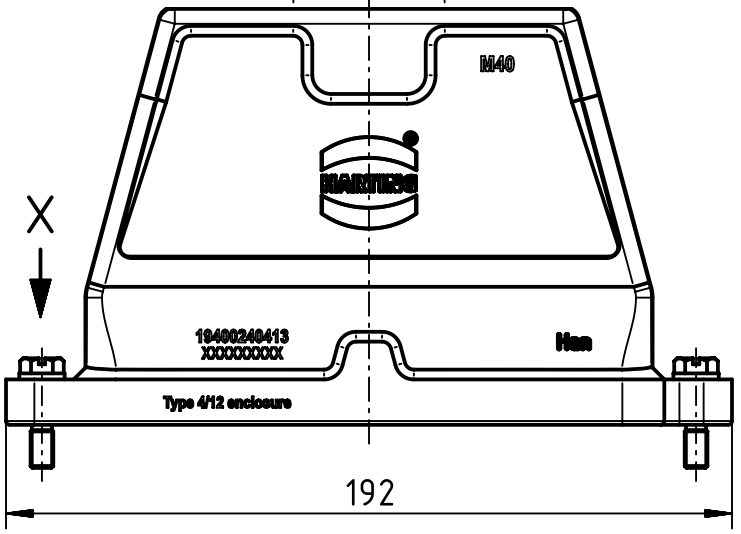


1 2 3 4 5 6

X (2:1)



M40x1,5



	All Dimensions in mm Original Size DIN A4		Scale 1:2	Free size tol.		Ref. Sub. TB 19 40 024 0413 v. 10.01.11			
		All rights reserved Department EL PD - DE		Created by FINKEV	Inspected by GERB	Standardisation TIEMANNA	Date 2015-11-13	State Final Release	
HARTING Electric GmbH & Co. KG D-32339 Espelkamp				Title Han 24 HPR Hood Top Entry M40 Screw Lock			Doc-Key / ECM-Nr. 10020194.9/UGD/004/B 500000094.164		
				Type TB	Number 19 40 024 0413			Rev. B	Page 1/1

# Mouser Electronics

Authorized Distributor

Click to View Pricing, Inventory, Delivery & Lifecycle Information:

[HARTING:](#)

[19400240413](#)