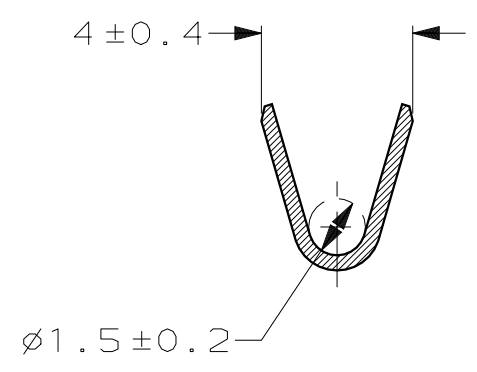
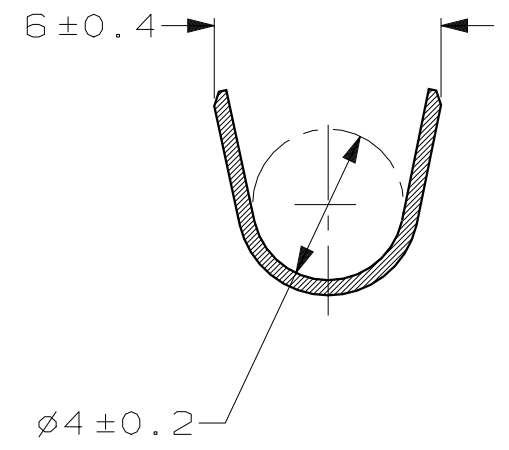


THIS DRAWING IS UNPUBLISHED.  
 DIFFUSION RESEINTE AMP  
 © COPYRIGHT 19 BY AMP INCORPORATED. ALL RIGHTS RESERVED.  
 TOUS DROITS RESERVES

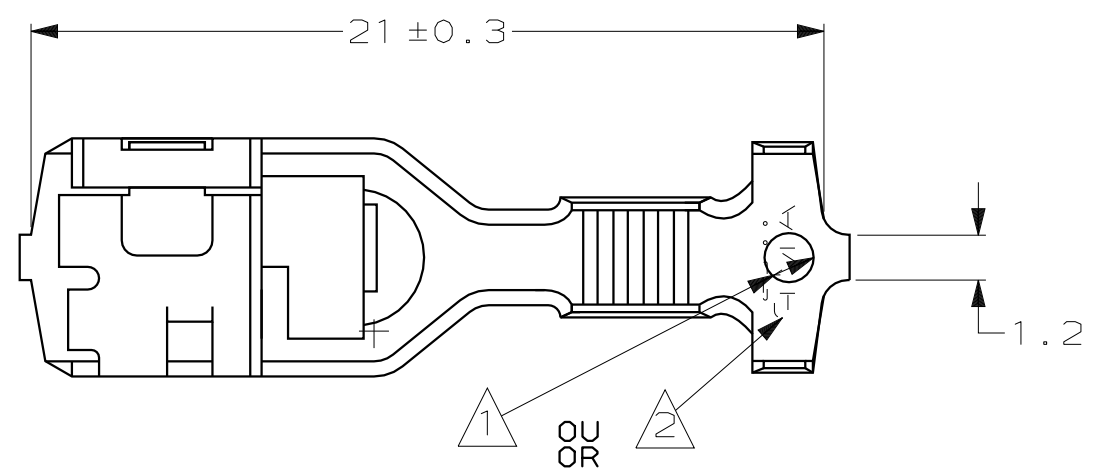
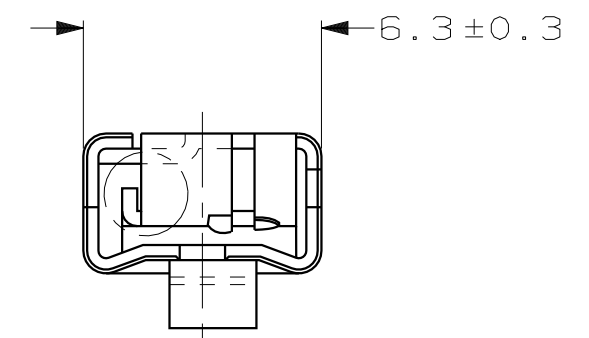
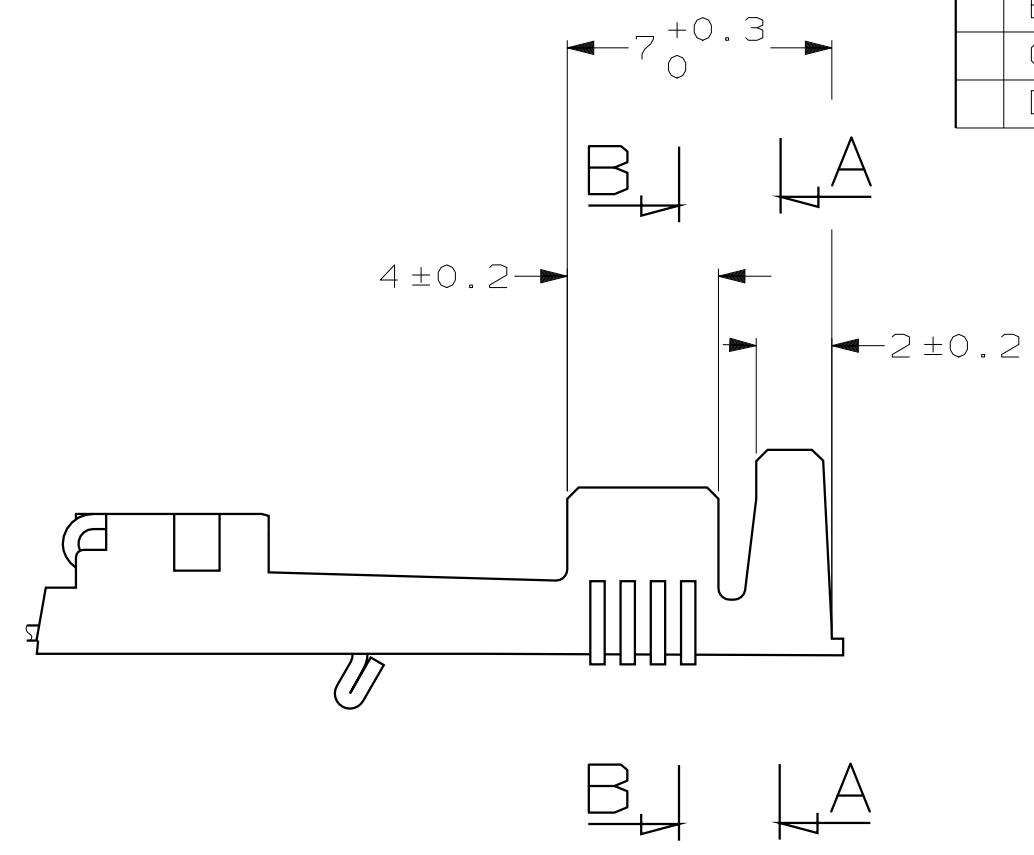
LOC F  
 DIST 7

REVISIONS					
P	LTR REV	DESCRIPTION MODIFICATIONS	DATE	DWN DESS.	APVD APP.
	A	MISE A JOUR REF. ( UP-DATING )	20-04-90	RLH	-
	B	AJOUTE NOUVELLES REFS. ( ADDED NEW REFS )	08-MAR-99	JL	-
	C	142686-2 OBSOLETE	22-SEP-05	RP	-
	D	cote 21+/-0.3: SANS TEMOINS	09-MAY-06	RP	-

SECTION AA



SECTION BB



1 AVEC TROU ET SANS LOGO AMP  
 ( WITH HOLE AND WITHOUT AMP STAMP )  
 2 SANS TROU ET AVEC LOGO AMP  
 ( WITHOUT HOLE AND WITH AMP STAMP )

POUR FILS 1mm<sup>2</sup> A 3mm<sup>2</sup> ( Ø isolant 2mm à 3.2mm )  
 ( FOR WIRES 1mm<sup>2</sup> TO 3mm<sup>2</sup> WITH Ø INSULATION 2mm TO 3.2mm )

REFERENCE	MATIERE	CARACTERISTIQUES
		MATERIAL CHARACTERISTICS
142686-2	CuZn	2
1-142686-1	CuSn	2
142686-1	CuSn	1

THIS DRAWING IS A CONTROLLED DOCUMENT. CE PLAN EST UN DOCUMENT CONTROLE.		DWN/DESSINE F. PERSON 23-06-87	<b>AMP</b> AMP DE FRANCE 95301 PONTOISE		
DIMENSIONS: mm		CHK/VERIFIE J. LALANGE 30-MAR-99			
	TOLERANCES UNLESS OTHERWISE SPECIFIED, TOLERANCES NON SPECIFIEES (SUIV NB DE DECIMALES): 0 - PLC/DEC ± 1 - PLC/DEC ± 0.3 2 - PLC/DEC ± 3 - PLC/DEC ± 4 - PLC/DEC ± ANGLES ±5°	APVD /APPROUVE D. MUYL 30-MAR-99	NAME TITRE CLIP 5mm VERROUILLAGE POSITIF FAIBLE INSERTION		
		PRODUCT SPEC SPEC. PRODUIT	LIF POSITIVE LOCK 5mm series		
MATERIAL MATIERE VOIR TABLE SEE TABLE		FINISH FINITION PRE-ETAME PRE-TIN	APPLICATION SPEC SPEC. APPLICATION	SIZE FORMAT A3	CAGE CODE 00779
CUSTOMER DRAWING/PLAN CLIENT		WEIGHT MASSE APPROX. -	DRAWING NO TITRE C-142686	RESTRICTED TO -	
UNIQUEMENT POUR REFERENCE			SCALE ECHELLE 5:1	SHEET FEUILLE 1 OF 1 DE 1	
			REV D		

# Mouser Electronics

Authorized Distributor

Click to View Pricing, Inventory, Delivery & Lifecycle Information:

[TE Connectivity:](#)

[142686-1](#) [142686-1 \(Loose Piece\)](#)