

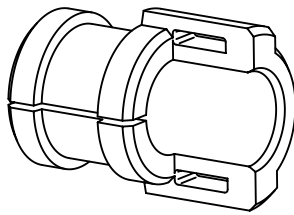
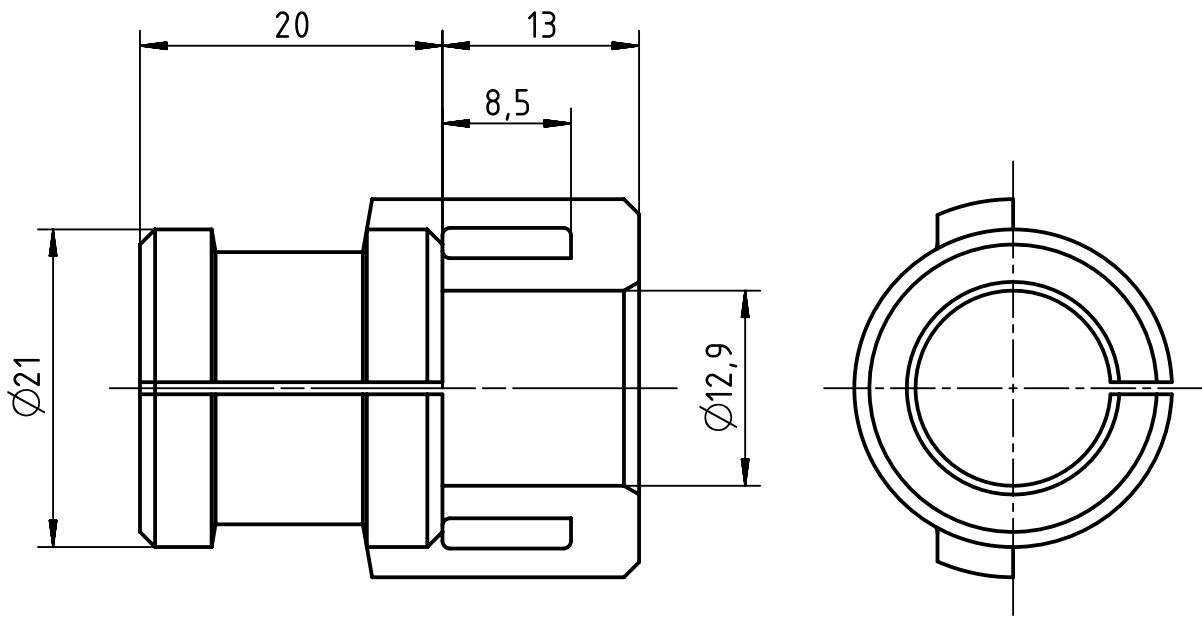
1 2 3 4 5 6

A


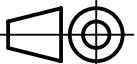
B

C

D



suitable cable  $\varnothing$  12-13mm

	 All Dimensions in mm Original Size DIN A4	Scale 2:1	Free size tol.			Ref.
	All rights reserved Department EL PD	Created by DICK	Inspected by SCHNIEDER	Standardisation TIEMANNA	Date 2014-07-03	State Final Release
HARTING Electric GmbH & Co. KG D-32339 Espelkamp		Title <b>Kabeldurchführungsstülle 12-13mm</b>				Doc-Key / ECM-Nr. 100085384/UGD/003/A 500000076557
		Type TB	Number 09 00 000 5360			Rev. <b>A</b>
						Page 1/1

# Mouser Electronics

Authorized Distributor

Click to View Pricing, Inventory, Delivery & Lifecycle Information:

[HARTING:](#)

[09000005360](#)