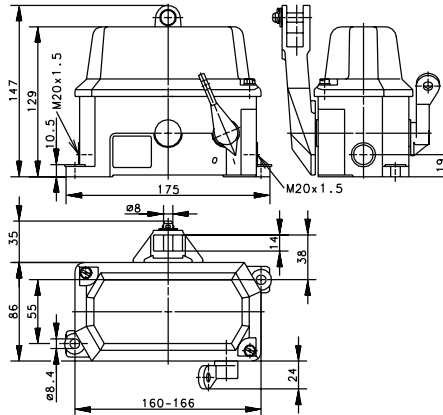


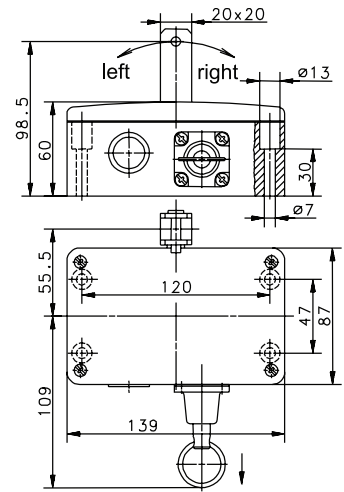
## SiRK and Si1 Series



**SiRK**



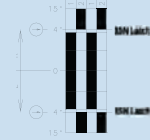
**Si1**



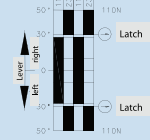
**Variant 1**

**Article No.**  
**Designation**  
Max. span

**601.5625.001**  
SiRK-U2Z R  
2 x 75 m



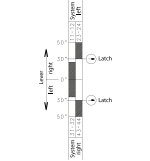
**601.4735.001**  
Si1-U2Z AK R-RAST  
2 x 50 m



**Variant 2**

**Article No.**  
**Designation**  
Max. span



**601.4735.025**  
Si1-U1Z/U1Z AK R-RAST  
2 x 50 m



**Variant 3**

**Article No.**  
**Designation**  
Max. span

### Technical Information

Maximum Switching Voltage	240V	240V
Maximum Switching Amperage	10A	10A
B10d	0.2 Million	2 Million
Mechanical Service Life	1 x 10 <sup>5</sup>	1 x 10 <sup>5</sup>
Switching Frequency	≤ 30/min	≤ 10/min
Operating Temperature	-30 °C to +80 °C	-30 °C to +80 °C
Protection Rating	IP65	IP65
Utilization Category	AC 15, A 300 240 V / 3 A, 120 V / 6 A DC 13, Q300 250 V / 0.27 A, 125 V / 0.55 A	AC-15, U / I <sub>e</sub> 240 V / 3 A
Rate Insulation Voltage	250VAC	250VAC
Approvals		

# Mouser Electronics

Authorized Distributor

Click to View Pricing, Inventory, Delivery & Lifecycle Information:

[Altech:](#)

[601.4735.025](#) [601.5625.001](#) [601.4735.001](#)