

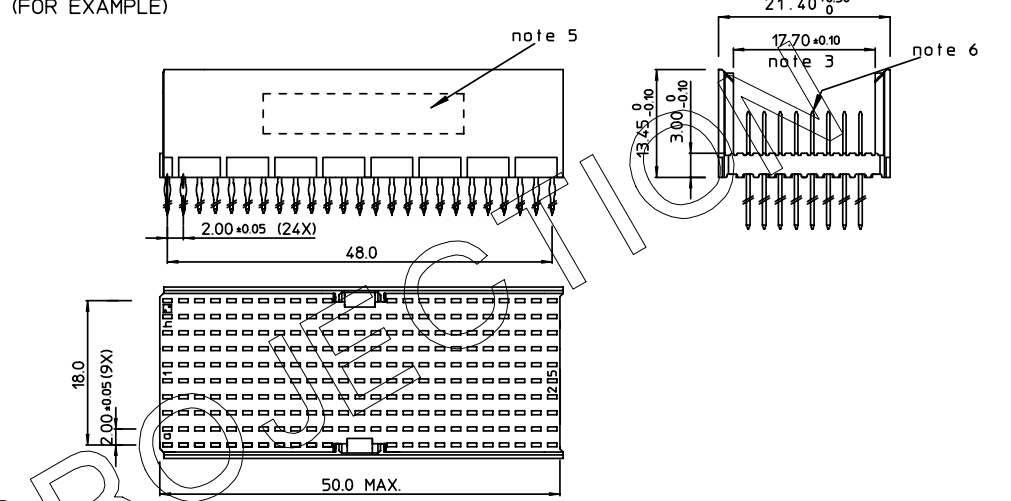
GEN. ST.	01	02	03	04	05	06	07	08	0D	50	60	70	80	90																	
INT. ST.	10	11	12	13	14	18	20	31	32	33	34	38	39	40	42	43	44	45	46	48	56	70	72	73	75	76	81	82	83	84	88

REV.	DATE	DESCRIPTION	BY	C'K'D'
A	2001-09-14	CONVERSION REVISION 01	KN	
B	2005-10-26	105-0201	VIVEK	BKP
C	2006-08-07	106-0143	ALEX B	BKP

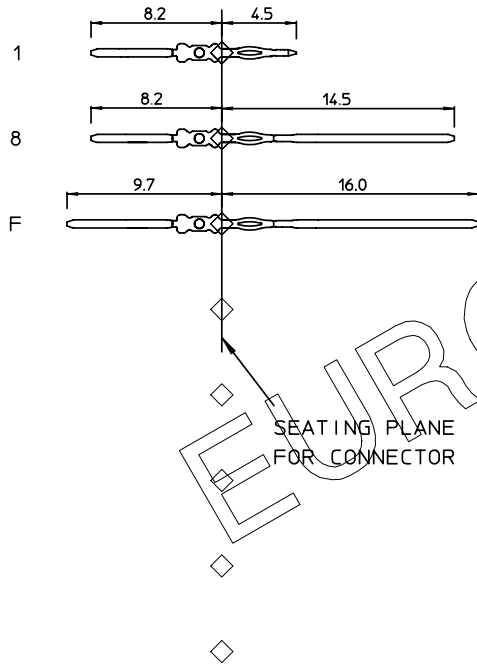
LOADING PATTERN MATING SIDE

y	0	0	0	0	0	0	0	0	0	0		0	0	0	0	0	0	0	0	0	0	0	0	0	0	0	0	0	0	0	0	0
h	8	1	1	8	1	1	1	8	1	1	1	8	8	8	8	8	8	8	8	8	8	8	8	8	8	8	8	8	8	8	8	8
g	8	1	1	8	1	1	1	8	1	1	1	8	8	8	8	8	8	8	8	8	8	8	8	8	8	8	8	8	8	8	8	8
f	F	F	F	F	F	F	F	F	F	F	F	F	F	F	F	F	F	F	F	F	F	F	F	F	F	F	1	1	F	8	8	
e	8	1	1	8	1	1	1	8	1	1	1	8	8	8	8	8	8	8	8	8	8	8	8	8	8	8	8	8	8	8	8	8
d	8	1	1	8	1	1	1	8	1	1	1	8	8	8	8	8	8	8	8	8	8	8	8	8	8	8	8	1	1	8	8	8
c	F	F	F	F	F	F	F	F	F	F	F	F	F	F	F	F	F	F	F	F	F	F	F	F	F	F	F	1	1	8	8	
b	8	8	8	8	8	8	8	8	8	8	8	8	8	8	8	8	8	8	8	8	8	8	8	8	8	8	1	1	8	8	8	
a	8	8	8	8	8	8	8	8	8	8	8	8	8	8	8	8	8	8	8	8	8	8	8	8	8	8	8	8	1	1	8	8
z	0	0	0	0	0	0	0	0	0	0	0		0	0	0	0	0	0	0	0	0	0	0	0	0	0	0	0	0	0	0	0
POS	0	5	10	15	20	25																0	5	10	15	20	25					

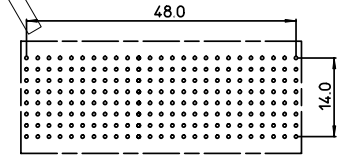
LOADED CONNECTOR ASSEMBLY (FOR EXAMPLE)



CONTACT OVERVIEW



LAY-OUT P.C.B. -HOLE



LEAD FREE INDICATOR : LF = LEAD FREE (DIGIT 15 & 16)

HM2P95PNE 1W0

PLATING CODE (DIGIT 13 AND 14) (REF DWG No. BS,C ,201844,003)

NOTES:

- THIS PRODUCT IS CSA APPROVED.
- THIS PRODUCT IS UL RECOGNIZED.
- MEASURED AT THE BOTTOM.
- MATERIAL CONTACT: PHOSPHORBRONZE
HOUSING: CREAM WHITE GLASSILLED POLYESTER UL-94V0
- CONNECTOR PRINTED WITH P/N AND DATE CODE.
- FOR ACTUAL CONTACT LOADINGS, SEE LOADING PATTERN MATING SIDE.
- SHAPE OF CONNECTOR HOUSING CAN ALTER DEPENDING ON PRODUCTION LOCATION.
- THE PRODUCT (LF) MEETS EUROPEAN UNION DIRECTIVES AND OTHER COUNTRY REGULATIONS AS DESCRIBED IN GS-22-008
- FOR RECOMMENDED PTH DIMENSIONS REFER DRAWING : BS.A ,201572,001

THIS IS OUR EXCLUSIVE PROPERTY. IT IS NOT TO BE COPIED, REPRINTED OR DISCLOSED TO A THIRD PARTY, NOR USED FOR MANUFACTURING WITHOUT OUR WRITTEN CONSENT, AND HAS TO BE RETURNED TO US IN CASE OF NO USAGE

1DEC ± 0,2	APPR.	DATE	SIGN.	LOADING PATTERN OVERVIEW (8+2 ROW)
2DEC ± 0,1				
ANGLES ± 1°				
WE RESERVE THE RIGHT TO CHANGE DIMENS'ONS OR REQUIRMENTS WITHOUT PRIOR NOTICE.	PROD. MGR.			
	PR. ENG. MGR.			
	PR. MGT. MGR.			

DRAFT	2000-07-31	M.Fret	CAT. No. HM2P95PNE 1W0 - - - -
CHECKED			
ALL DIMENSIONS IN MM			SCALE



REFERENCES

www.fciconnect.com

Mouser Electronics

Authorized Distributor

Click to View Pricing, Inventory, Delivery & Lifecycle Information:

[FCI / Amphenol:](#)

[HM2P95PNE1W0GFLF](#)