

THIS DRAWING IS UNPUBLISHED.

RELEASED FOR PUBLICATION

20

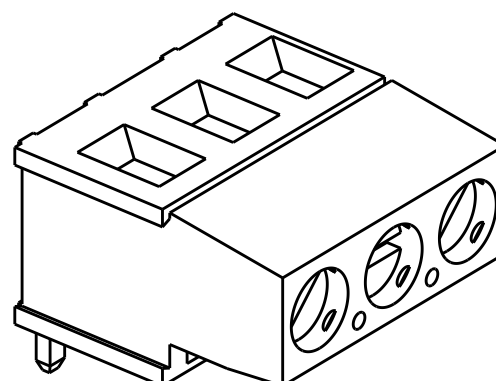
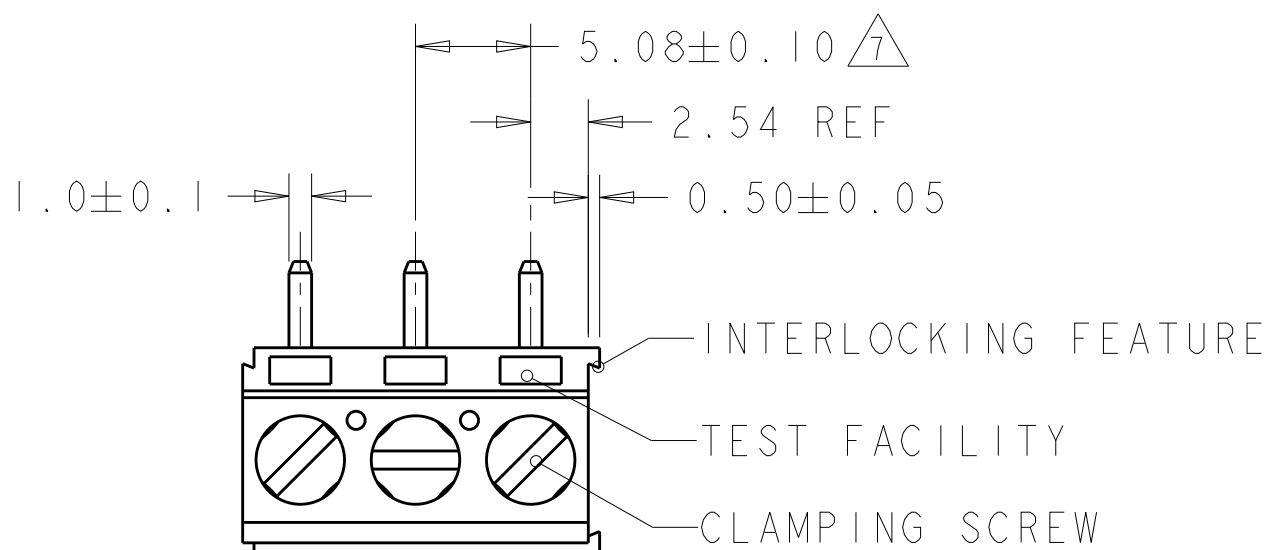
© COPYRIGHT 20

ALL RIGHTS RESERVED.

LOC FT DIST 0

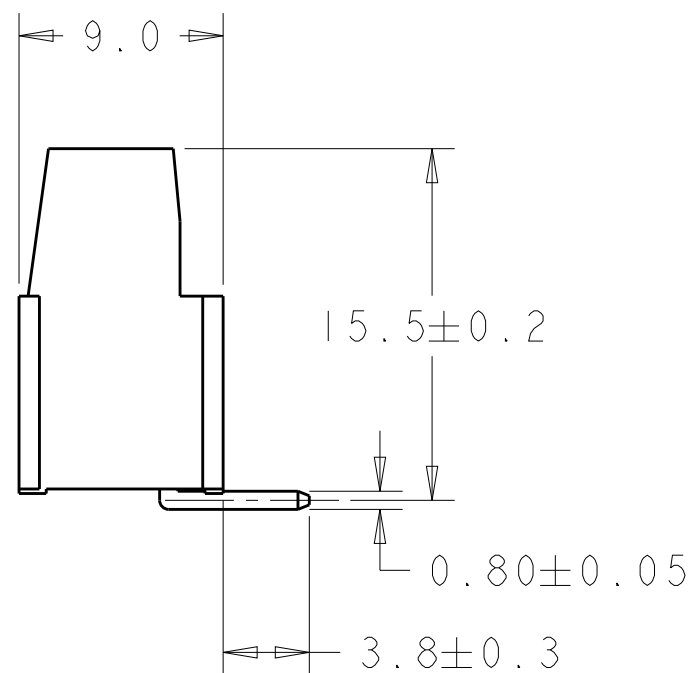
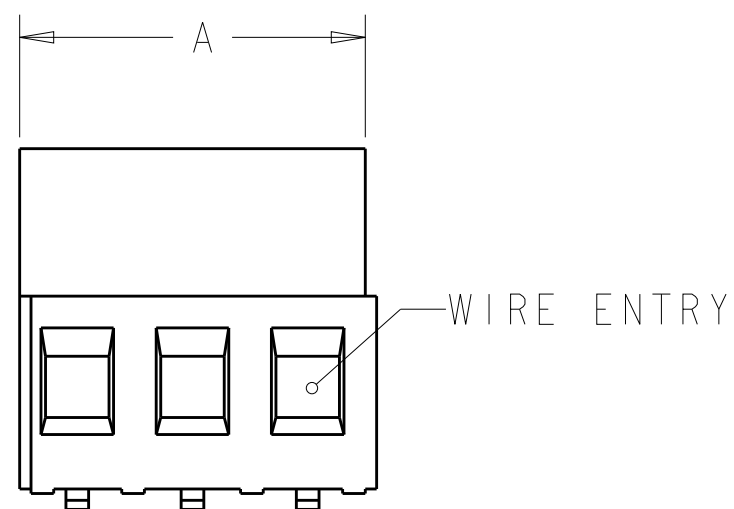
REVISIONS

P	LTR	DESCRIPTION	DATE	DWN	APVD
	C2	WIRE RANGE CORRECTED FROM 13,15 AWG TO 12-30 AWG	14FEB2018	RK	PS

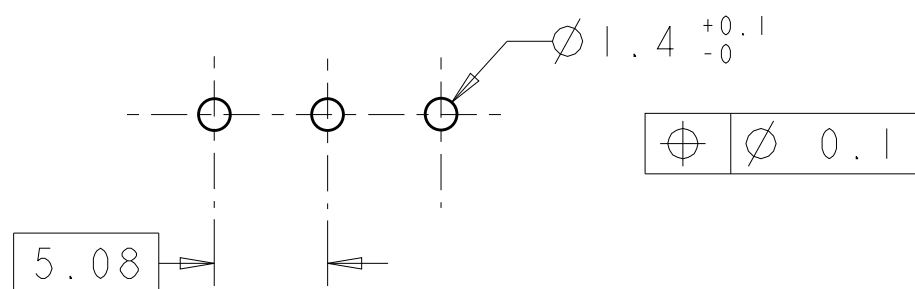


282851-3 AS SHOWN

DIM A	No OF POS	PART NUMBER
127.00	25	<del>2-282851-5</del>
121.92	24	<del>2-282851-4</del>
116.84	23	<del>2-282851-3</del>
111.76	22	<del>2-282851-2</del>
106.68	21	<del>2-282851-1</del>
101.60	20	<del>2-282851-0</del>
96.52	19	<del>1-282851-9</del>
91.44	18	<del>1-282851-8</del>
86.36	17	<del>1-282851-7</del>
81.28	16	<del>1-282851-6</del>
76.20	15	<del>1-282851-5</del>
71.12	14	<del>1-282851-4</del>
66.04	13	<del>1-282851-3</del>
60.96	12	<del>1-282851-2</del>
OBSOLETE	11	<del>1-282851-1</del>
50.80	10	<del>1-282851-0</del>
OBSOLETE	9	<del>282851-9</del>
40.64	8	282851-8
OBSOLETE	7	<del>282851-7</del>
30.48	6	282851-6
25.40	5	282851-5
20.32	4	282851-4
15.24	3	282851-3
10.16	2	282851-2



RECOMMENDED PCB LAYOUT



THIS DRAWING IS A CONTROLLED DOCUMENT.

DIMENSIONS: mm

TOLERANCES UNLESS OTHERWISE SPECIFIED:

- 0 PLC ±-
- 1 PLC ±.3
- 2 PLC ±.25
- 3 PLC ±-
- 4 PLC ±-
- ANGLES ±2

MATERIAL

FINISH

DWN 20AUG2001

E. ZANOLINI

CHK 20AUG2001

D. BIEVENOUR

APVD 20AUG2001

D. BIEVENOUR

PRODUCT SPEC

108-20166

APPLICATION SPEC

114-20079

WEIGHT

-

CUSTOMER DRAWING



NAME: TERMINAL BLOCK PCB MOUNT TOP ENTRY WIRE, STACKING W/INTERLOCK, 5.08mm PITCH

SIZE: A3 CAGE CODE: 00779 DRAWING NO: C-282851 RESTRICTED TO: -

SCALE: 3:1 SHEET: 1 OF 2 REV: C2

THIS DRAWING IS UNPUBLISHED.

RELEASED FOR PUBLICATION

20

© COPYRIGHT 20

ALL RIGHTS RESERVED.

LOC  
FT

DIST  
0

REVISIONS

P	LTR	DESCRIPTION	DATE	DWN	APVD
-		SEE SHEET 1	-	-	-

NOTES:



MATERIALS AND FINISH

HOUSING: PA 6-6, UL 94-V0, COLOR GREEN.  
 CLAMP: BRASS, NICKEL PLATED.  
 TERMINAL: BRASS, TIN PLATED.  
 CLAMPING SCREW: M3, BRASS, NICKEL PLATED.

2

MECHANICAL PROPERTIES

MIN. PC BOARD HOLES DIAMETER : 1,4mm  
 MAX. PC BOARD THICKNESS : 2,4mm.  
 RECOMMENDED/HIGHEST TIGHTENING TORQUE: 0,5/0,6 Nm.

3

END-TO-END STACKABLE W/INTERLOCK WITHOUT LOSS OF CENTERLINE SPACING.

4

ELECTRICAL PROPERTIES

WIRE RANGE:

- SOLID WIRE : 0,05-2,5mm<sup>2</sup> (12-30 AWG).  
 - STRANDED WIRE : 0,05-2,5mm<sup>2</sup> (12-30 AWG).  
 MAX. VOLTAGE : 300 V  
 MAX CURRENT : 24 A  
 CONTACT RESISTANCE : <15 m Ohm  
 INSULATION RESISTANCE : >1000 M Ohm (500V DC)

5


RECOGNIZED UNDER THE COMPONENT PROGRAM OF UNDERWRITERS LABORATORIES INC. FILE NO E60677.

6

IMQ CERTIFICATE WITH SURVEILLANCE IN CONFORMITY WITH IEC 998-1/998-2-1.



NOT CUMULATIVE TOLERANCE.

THIS DRAWING IS A CONTROLLED DOCUMENT.		DWN E. ZANOLINI 20AUG2001	 TE Connectivity	
DIMENSIONS: mm		CHK D. BIEVENOUR 20AUG2001		
TOLERANCES UNLESS OTHERWISE SPECIFIED:		APVD D. BIEVENOUR 20AUG2001	NAME TERMINAL BLOCK PCB MOUNT TOP ENTRY WIRE, STACKING W/INTERLOCK, 5.08mm PITCH	
0 PLC ±- 1 PLC ±- 2 PLC ±- 3 PLC ±- 4 PLC ±- ANGLES ±-		PRODUCT SPEC -	RESTRICTED TO -	
MATERIAL -		APPLICATION SPEC -	SIZE A3	CAGE CODE 00779
FINISH -		WEIGHT -	DRAWING NO C-282851	REV C2
CUSTOMER DRAWING			SCALE 3:1	SHEET 2 OF 2

# Mouser Electronics

Authorized Distributor

Click to View Pricing, Inventory, Delivery & Lifecycle Information:

[TE Connectivity:](#)

[1-282851-2](#)