

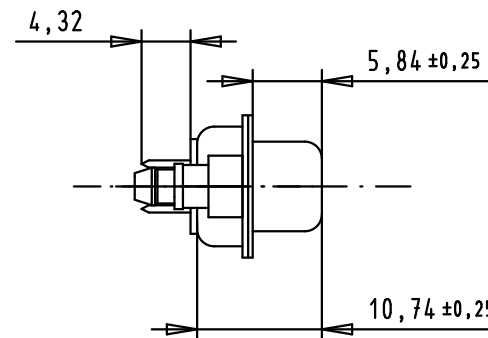
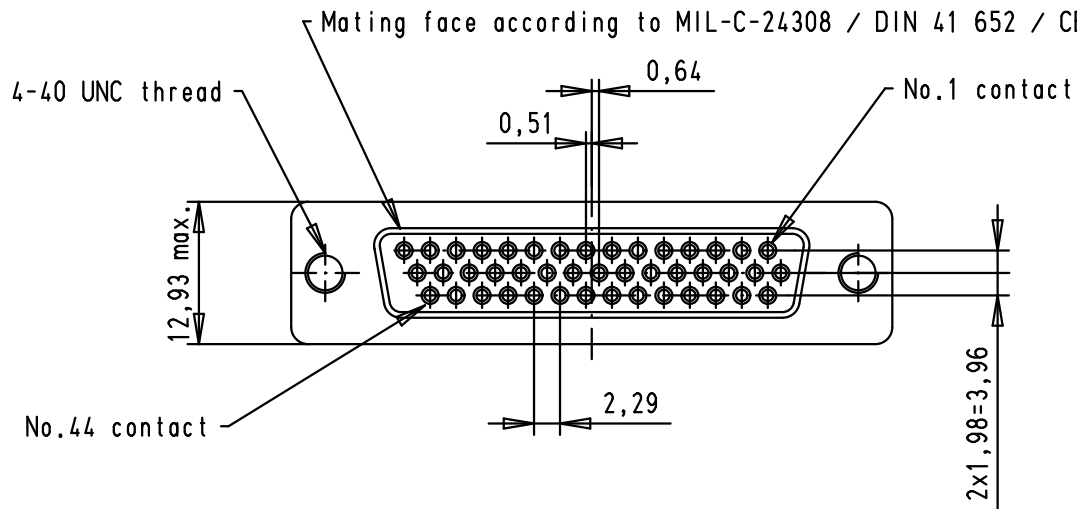
5 4 3 2 1

D

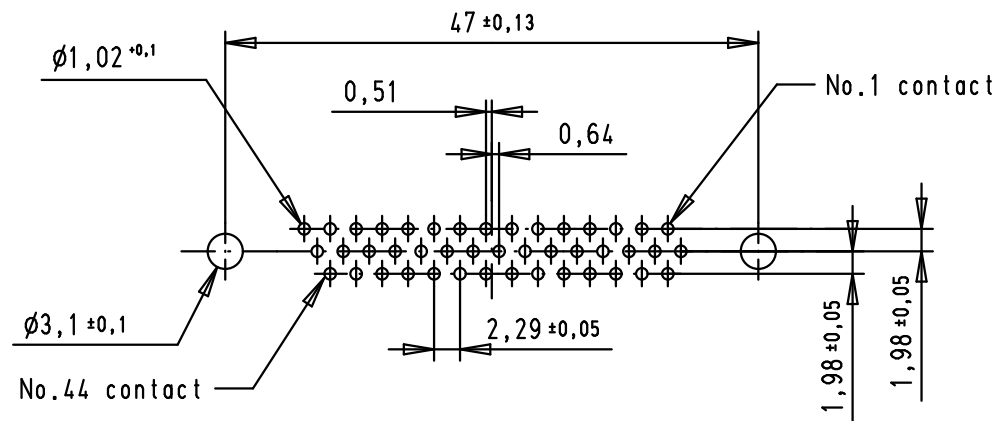
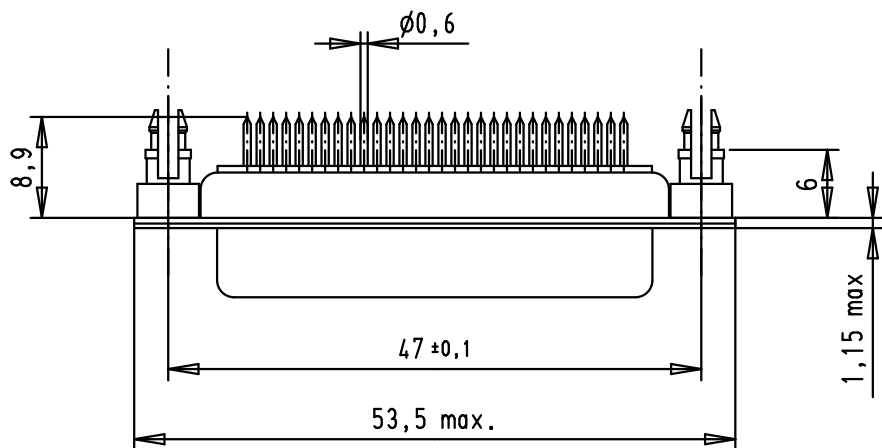
C

B

A



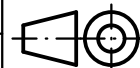
Printed board layout, component side
PCB thickness 1,6mm



09563515512	0.76 μm Au
09563517512	3
Part number	Performance level

36183	13/10/10	BH		
32735	18/03/05	AL		
32326	03/01/05	TR		
31095	16-OCT-02	S.H.		
Mod.	Dat.	Name		

	Dat.	Name
Detail.	16-OCT-02	S.H.
Insp.		
Stand.		
HARTING EURL F-95972 Paris		



All Dim. in mm
Orig. Size DIN A 4



Dsub, 44 poles, female, straight solder pins, board locks
TB 0956351x512
Sub.

Maßstab/ Scale
1.5:1
Blatt/ Page
1 / 1

Mouser Electronics

Authorized Distributor

Click to View Pricing, Inventory, Delivery & Lifecycle Information:

[HARTING:](#)

[09563517512](#) [09563515512](#)