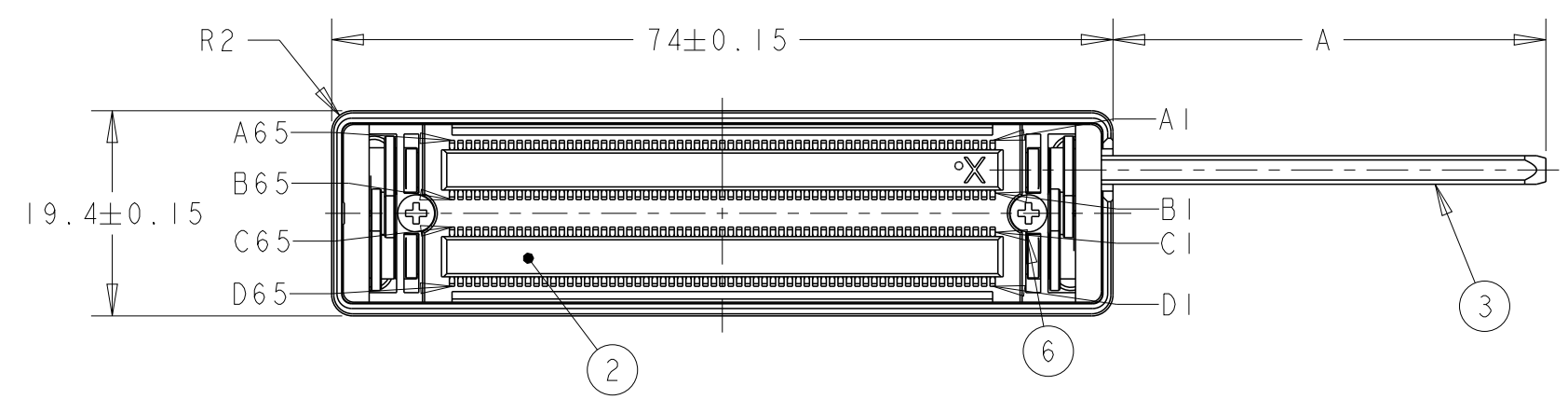
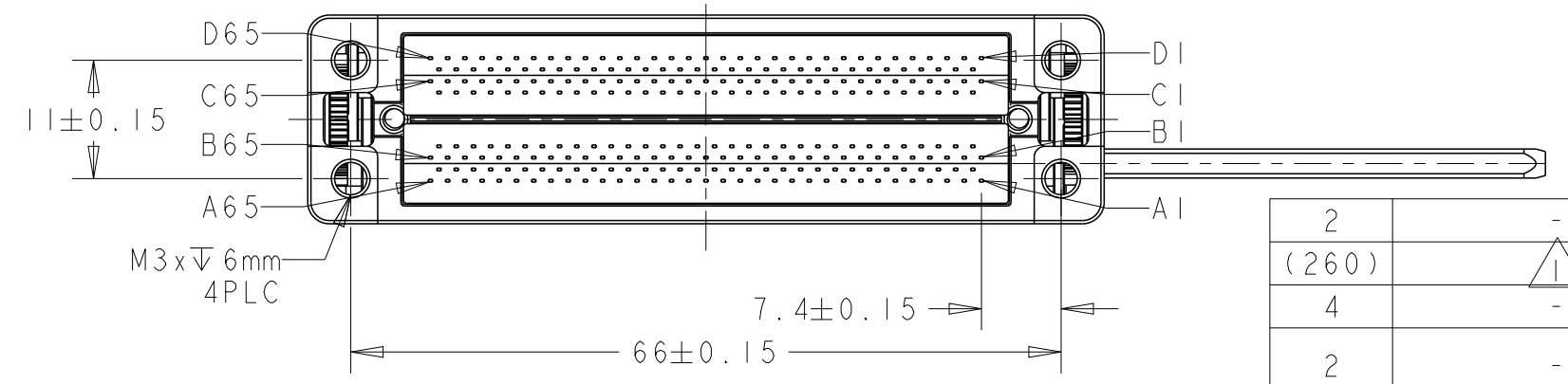
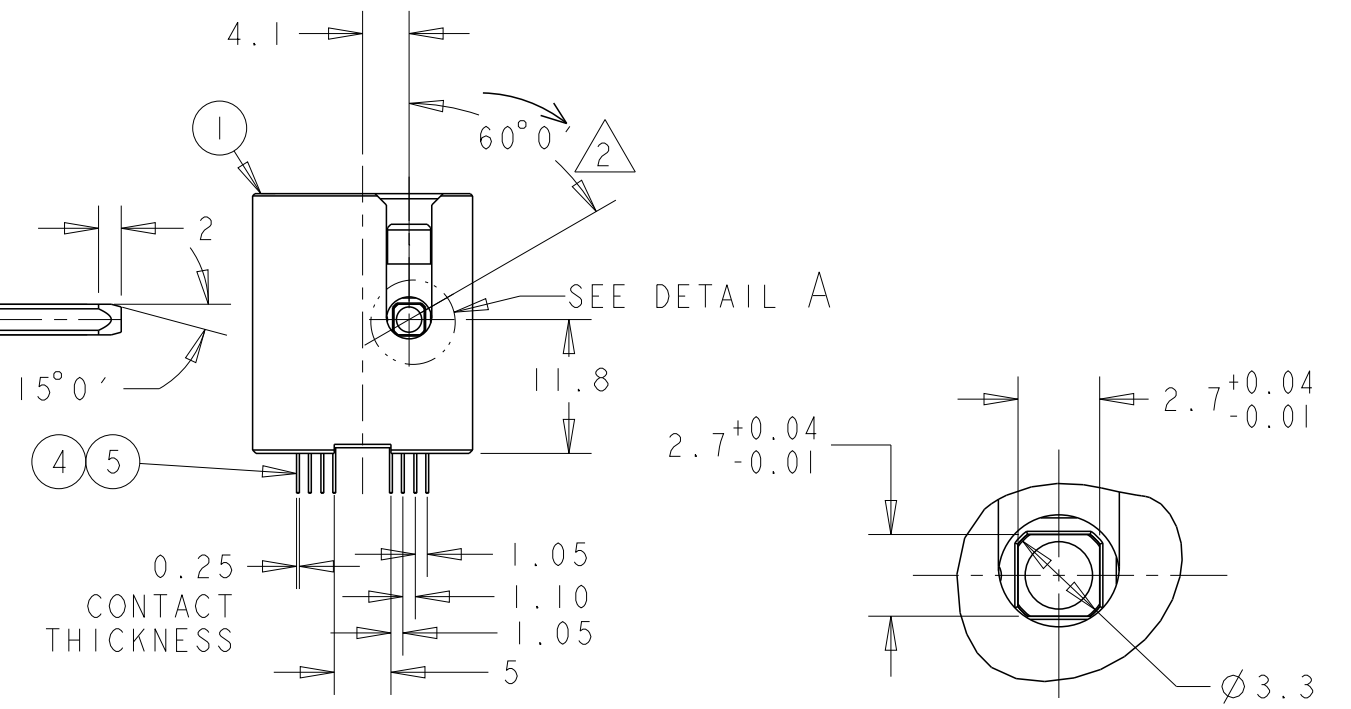
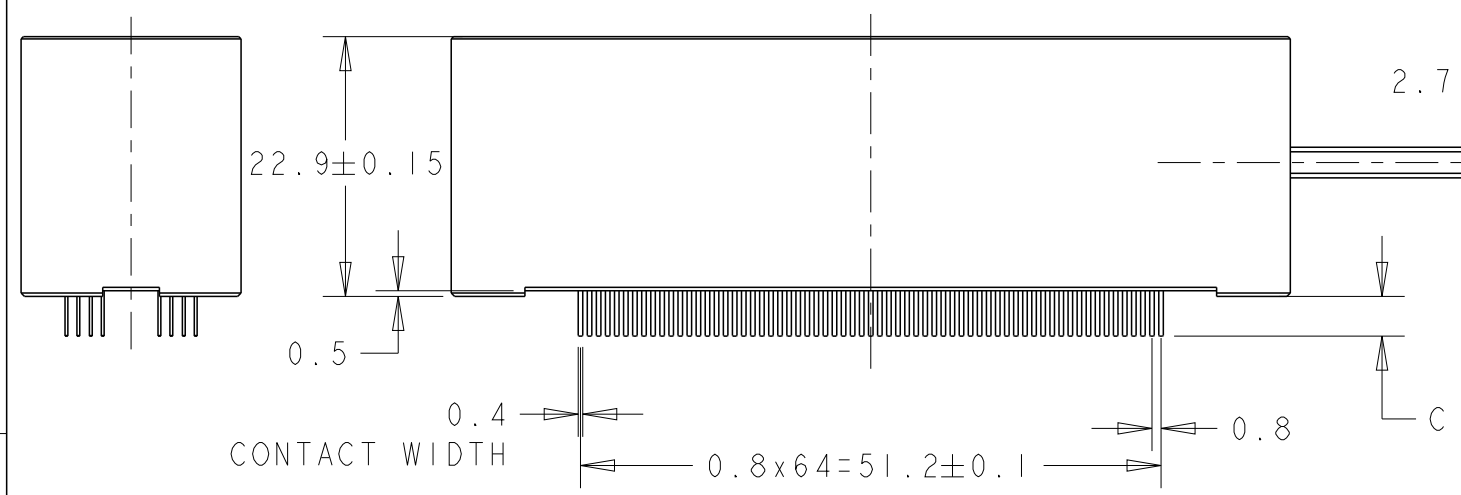


THIS DRAWING IS UNPUBLISHED. RELEASED FOR PUBLICATION 2007
 © COPYRIGHT 2007-2013 ALL RIGHTS RESERVED.

LOC	DIST	REVISIONS			
P	LTR	DESCRIPTION	DATE	DWN	APVD
J	-	E	REVISD	11DEC2012	T.K M.K
		F	REVISD	10JUN2013	T.K M.K
		G	REVISD	18MAR2015	T.K M.K



ROHS COMPLIANT



QTY	FINISH	MATERIAL	NAME	ITEM NO
2	-	STAINLESS STEEL	SCOTCH-GRIP 2510	6
(260)	⚠	COPPER ALLOY	CONTACT	5
4	-	LCP	INSERT MOLD, CONTACT	4
2	-	SUS 304 AND PLASTIC (COLOR BLACK)	ACTUATOR ASSY	3
1	-	LCP	COVER HOUSING, REC	2
1	Ni PLT. 2.5~5μm	ZINC DIECAST	BASE HOUSING, REC	1

DIMENSION "C"	DIMENSION "A"	PART NUMBER
2.8±0.2	41	6565204-9
3.1±0.25	41	6565204-8
3.5±0.4	20	6565204-6
2.5±0.25	20	6565204-5
PRELIMINARY 2.5±0.25	26.82±0.2	6565204-4
2.5±0.25	41	6565204-3
3.5±0.4	41	6565204-1

THIS DRAWING IS A CONTROLLED DOCUMENT.

DWN T.Kanno 5MAR2007
 CHK M.Kimura 5MAR2007
 APVD M.Kimura 5MAR2007

PRODUCT SPEC 108-5771
 APPLICATION SPEC 114-5505
 WEIGHT 85g

CUSTOMER DRAWING

DIMENSIONS: mm
 TOLERANCES UNLESS OTHERWISE SPECIFIED:
 0 PLC ±0.3
 1 PLC ±0.25
 2 PLC ±0.2
 3 PLC ±
 4 PLC ±
 ANGLES ±3
 FINISH ⚠

TE TE Connectivity

NAME REC ASSEMBLY
 TC-ZIF CONNECTOR
 0.8mm PITCH 260P

SIZE A3 CAGE CODE DRAWING NO RESTRICTED TO
 ©-6565204

SCALE 3:2 SHEET 1 OF 2 REV G

LOC
J

DIST
-

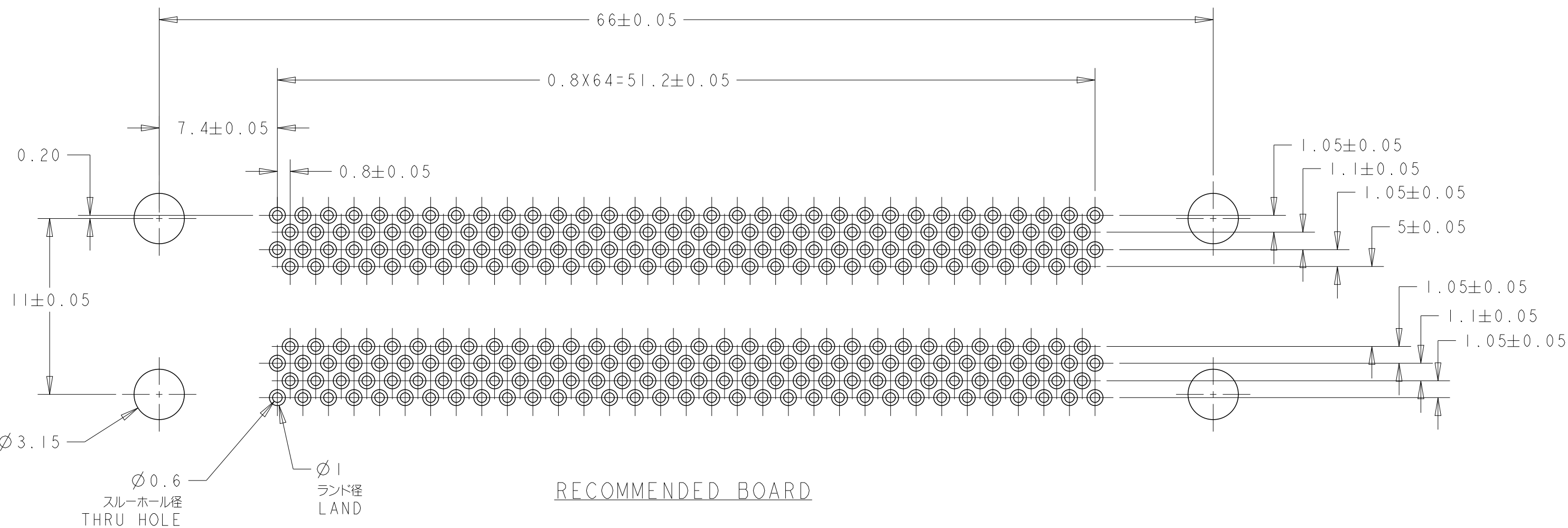
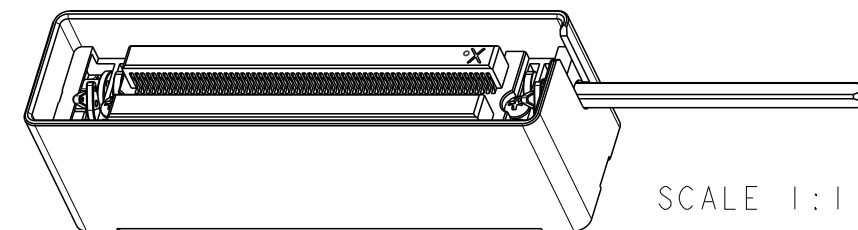
REVISIONS


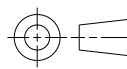
P	LTR	DESCRIPTION	DATE	DWN	APVD
-	-	SEE SHEET 1	-	-	-

① MATING AREA: 1μmMIN GOLD PLATING
OVER 2.5μmMIN NICKEL
SOLDERING AREA: GOLD FLASH
OVER 2.5μmMIN NICKEL
OTHERS: 2.5μmMIN NICKEL

② BY ROTATING 60±5 DEGREES OF SHAFT CLOCKWISE,
CONNECTOR IS MATED WITH HDR.
CONTACT ENGAGEMENT : 15±5DEG.

3. PIN ASSIGNMENTS AS A REFERENCE



THIS DRAWING IS A CONTROLLED DOCUMENT.		DWN T.Kanno	5MAR2007	 TE Connectivity			
DIMENSIONS: mm		CHK M.Kimura	5MAR2007				
TOLERANCES UNLESS OTHERWISE SPECIFIED:		APVD M.Kimura	5MAR2007				
 0 PLC ±0.2 1 PLC ±0.15 2 PLC ±0.1 3 PLC ± 4 PLC ± ANGLES ±3		PRODUCT SPEC 108-5771	NAME REC ASSEMBLY TC-ZIF CONNECTOR 0.8mm PITCH 260P				
MATERIAL -	FINISH -	APPLICATION SPEC 114-5505	WEIGHT -	SIZE A3	CAGE CODE G-6565204	DRAWING NO	RESTRICTED TO -
CUSTOMER DRAWING				SCALE 3:2	SHEET 2	OF 2	REV G

Mouser Electronics

Authorized Distributor

Click to View Pricing, Inventory, Delivery & Lifecycle Information:

[TE Connectivity:](#)

[6565204-1](#)