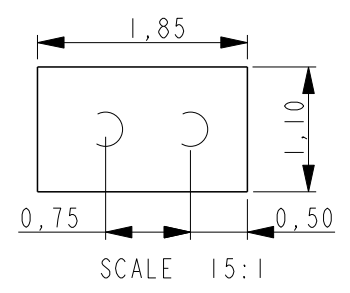
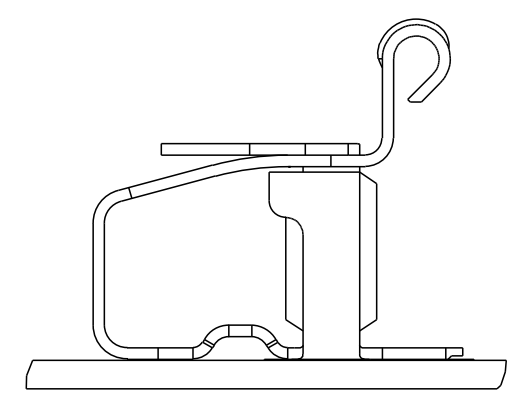
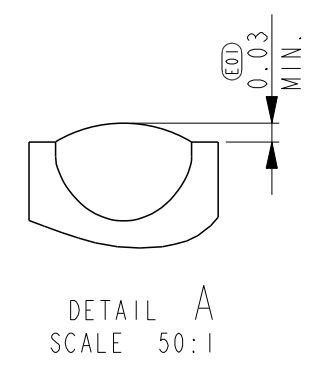
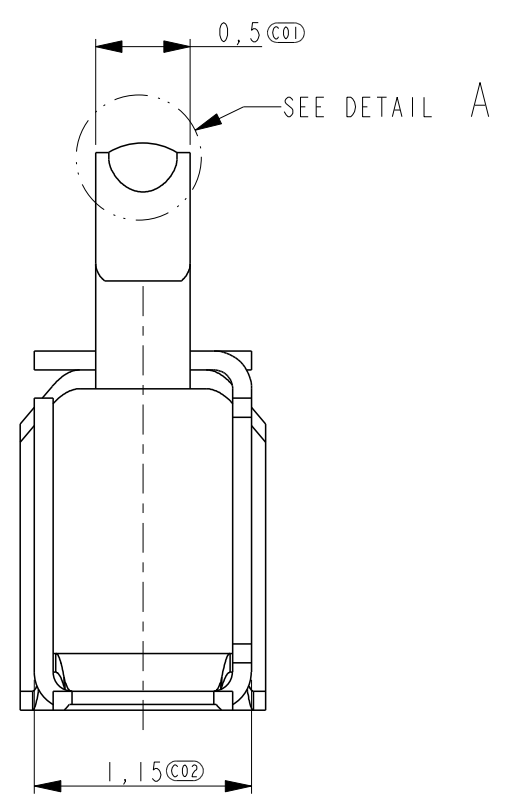
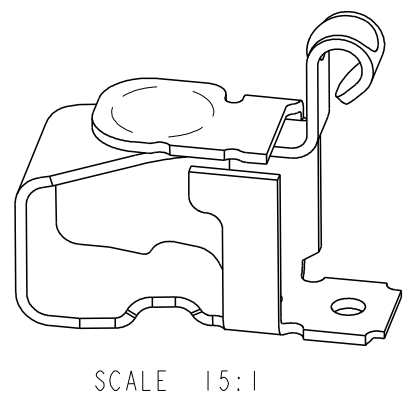
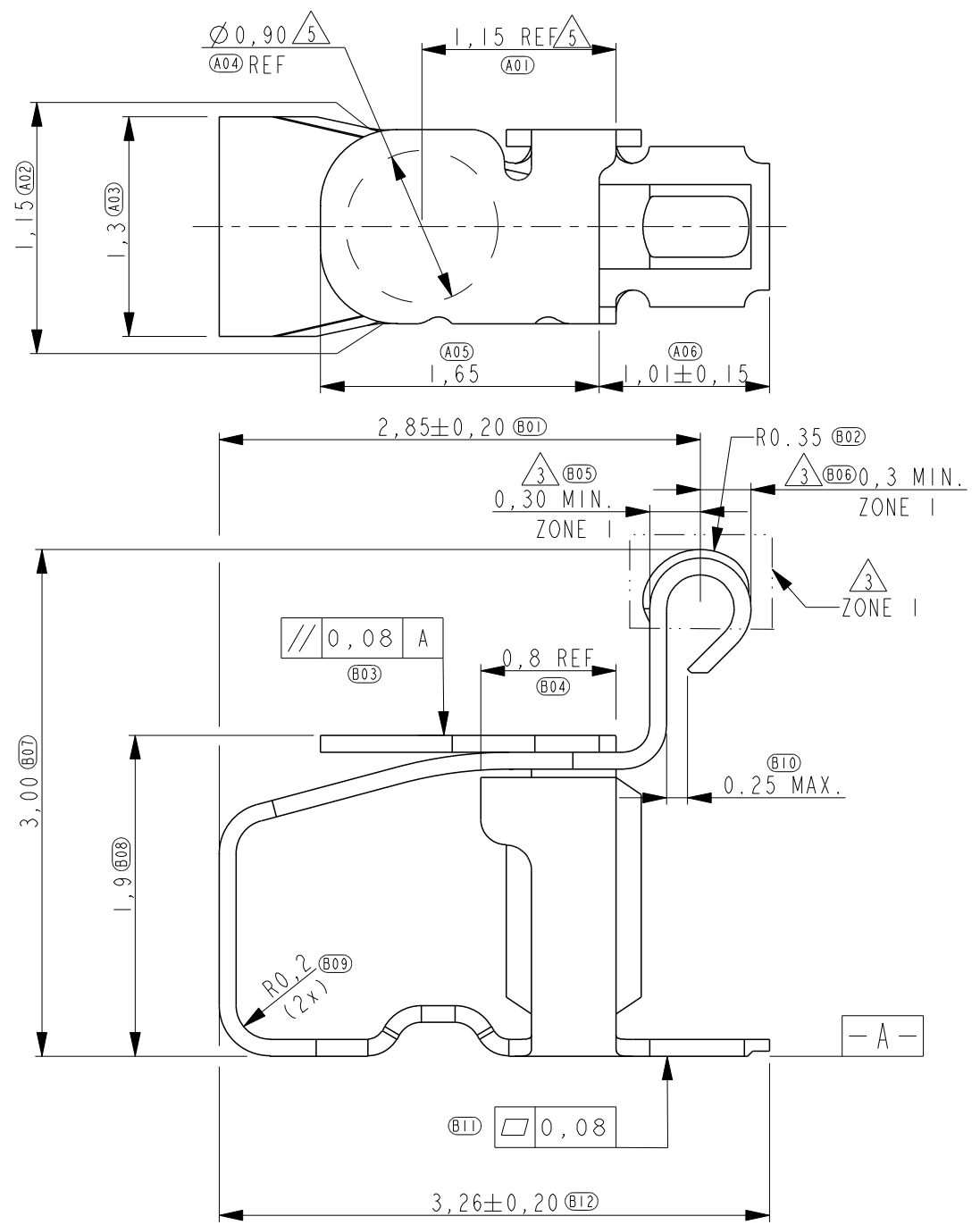


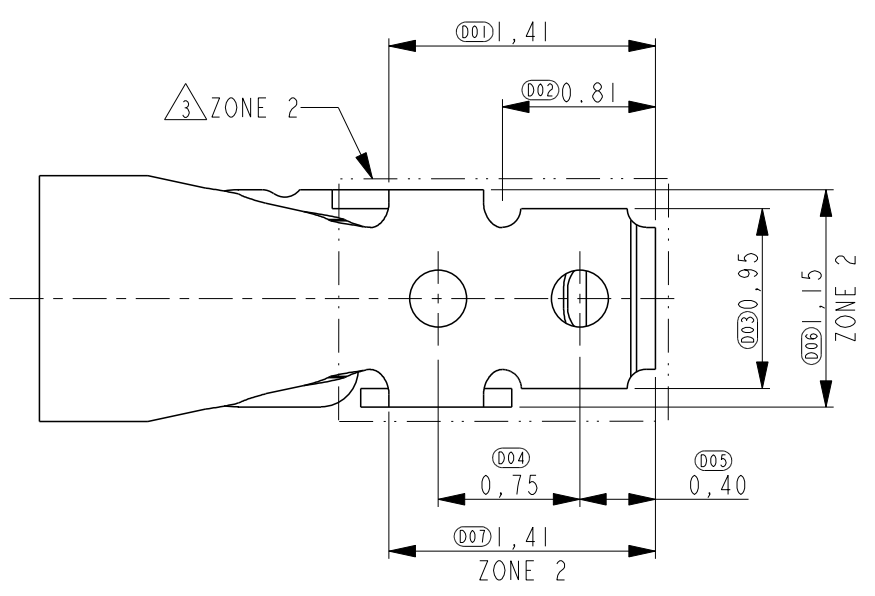
THIS DRAWING IS UNPUBLISHED. RELEASED FOR PUBLICATION
 © COPYRIGHT - BY - ALL RIGHTS RESERVED.

LOC	DIST	REVISIONS				
P	LTR	DESCRIPTION	DATE	DWN	APVD	
ES	00	A1	UPDATED PER ECR-14-004955	27JUL2014	T.Q W.H	



RECOMMENDED PWB LAY-OUT (± 0.05)
 DASHED CIRCLES ARE THE LOCATION OF THE SPRING FINGER BOTTOM HOLES

- 1 PART NUMBER: 1551575-5 AS SHOWN.
- 2 MATERIAL: STAINLESS STEEL.
- 3 PLATING: 1.3um MIN. NICKEL UNDERLAYER ALL OVER
 ZONE 1: 0.30um MIN. GOLD
 ZONE 2: 0.05-0.2um GOLD FLASH
- 4 NORMAL FORCE: 0.6 ± 0.2 N AT NOMINAL HEIGHT 2.4MM
- 5 INDICATED SURFACE TO BE USED AS PICK AND PLACE SURFACE.



THIS DRAWING IS A CONTROLLED DOCUMENT.		DWN 22JUN2010 Tony Zhang		TE Connectivity	
DIMENSIONS: mm		CHK 22JUN2010 Harada Yohei			
TOLERANCES UNLESS OTHERWISE SPECIFIED:		APVD 22JUN2010 Steven Yao		NAME SPRING FINGER H=3.0mm	
0 PLC ± 0.2		PRODUCT SPEC 108-115008		SIZE	
1 PLC ± 0.1		APPLICATION SPEC		CAGE CODE	
2 PLC ± 0.1		-		DRAWING NO	
3 PLC ± 0.05		WEIGHT 0.0095		RESTRICTED TO	
4 PLC \pm		CUSTOMER DRAWING		-	
ANGLES $\pm 5^\circ$		SCALE 25:1		SHEET 1 OF 2	
FINISH		-		REV A1	

THIS DRAWING IS UNPUBLISHED.

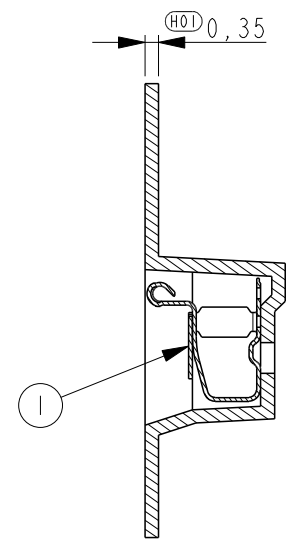
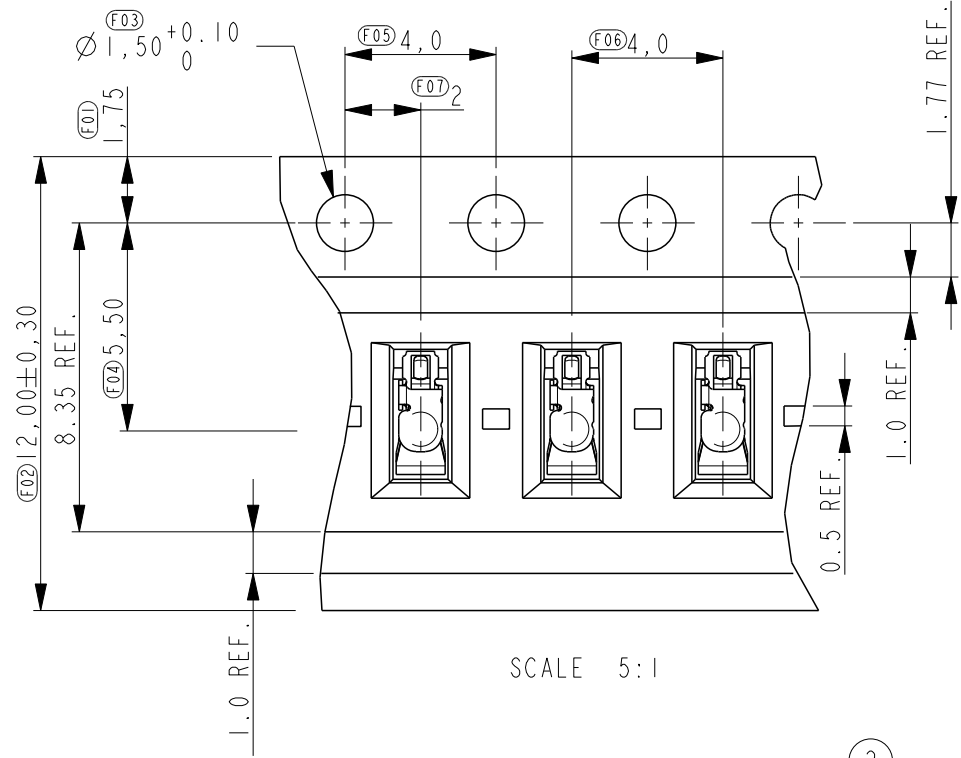
RELEASED FOR PUBLICATION

© COPYRIGHT - BY - ALL RIGHTS RESERVED.

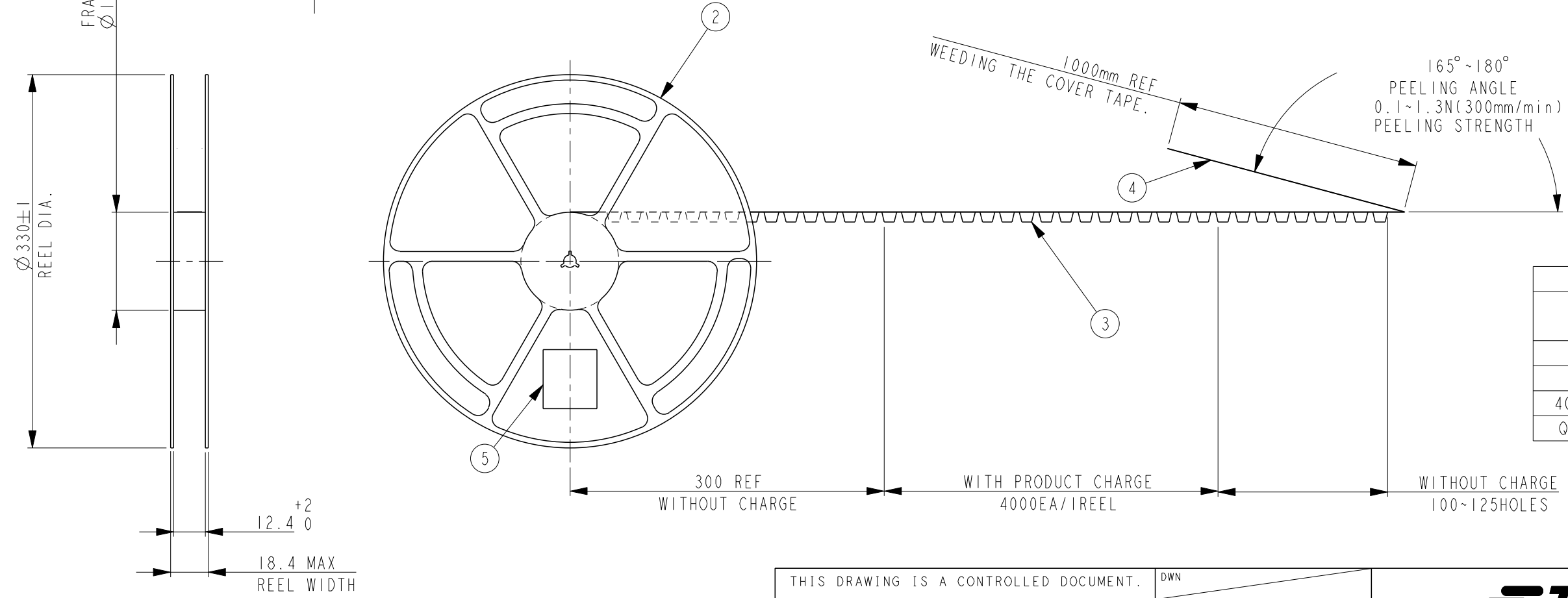
LOC ES DIST 00

REVISIONS

P	LTR	DESCRIPTION	DATE	DWN	APVD
-	-	SEE SHEET 1	-	-	-



SECTION C-C



1	LABEL	5
1	COVER TAPE (HEAT SEALING)	4
1	EMBOSS	3
1	PLASTIC REEL	2
4000	SPRING FINGER	1
QTY	DESCRIPTION	ITEM

THIS DRAWING IS A CONTROLLED DOCUMENT.

DIMENSIONS:	TOLERANCES UNLESS OTHERWISE SPECIFIED:
mm	
0 PLC	±0.2
1 PLC	±0.1
2 PLC	±0.1
3 PLC	±0.05
4 PLC	±
ANGLES	±5°
MATERIAL	FINISH

DWN
CHK
APVD
PRODUCT SPEC
APPLICATION SPEC
WEIGHT
CUSTOMER DRAWING

STE TE Connectivity

NAME: SPRING FINGER
H=3.0mm

SIZE: A3	CAGE CODE: 00779	DRAWING NO: C-1551575	RESTRICTED TO: -
----------	------------------	-----------------------	------------------

SCALE: 25:1 SHEET 2 OF 2 REV A1

Mouser Electronics

Authorized Distributor

Click to View Pricing, Inventory, Delivery & Lifecycle Information:

[TE Connectivity:](#)

[1551574-5](#)