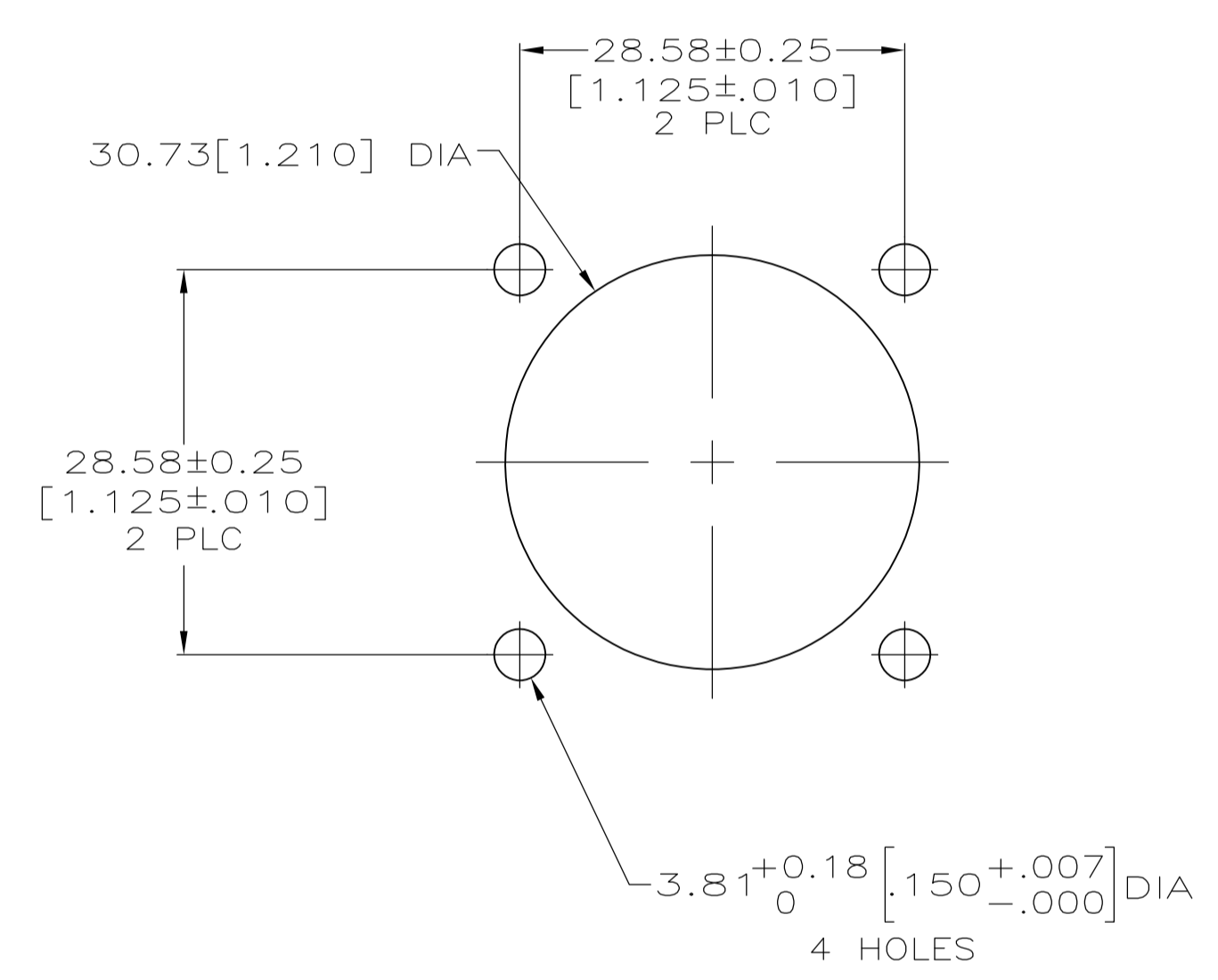
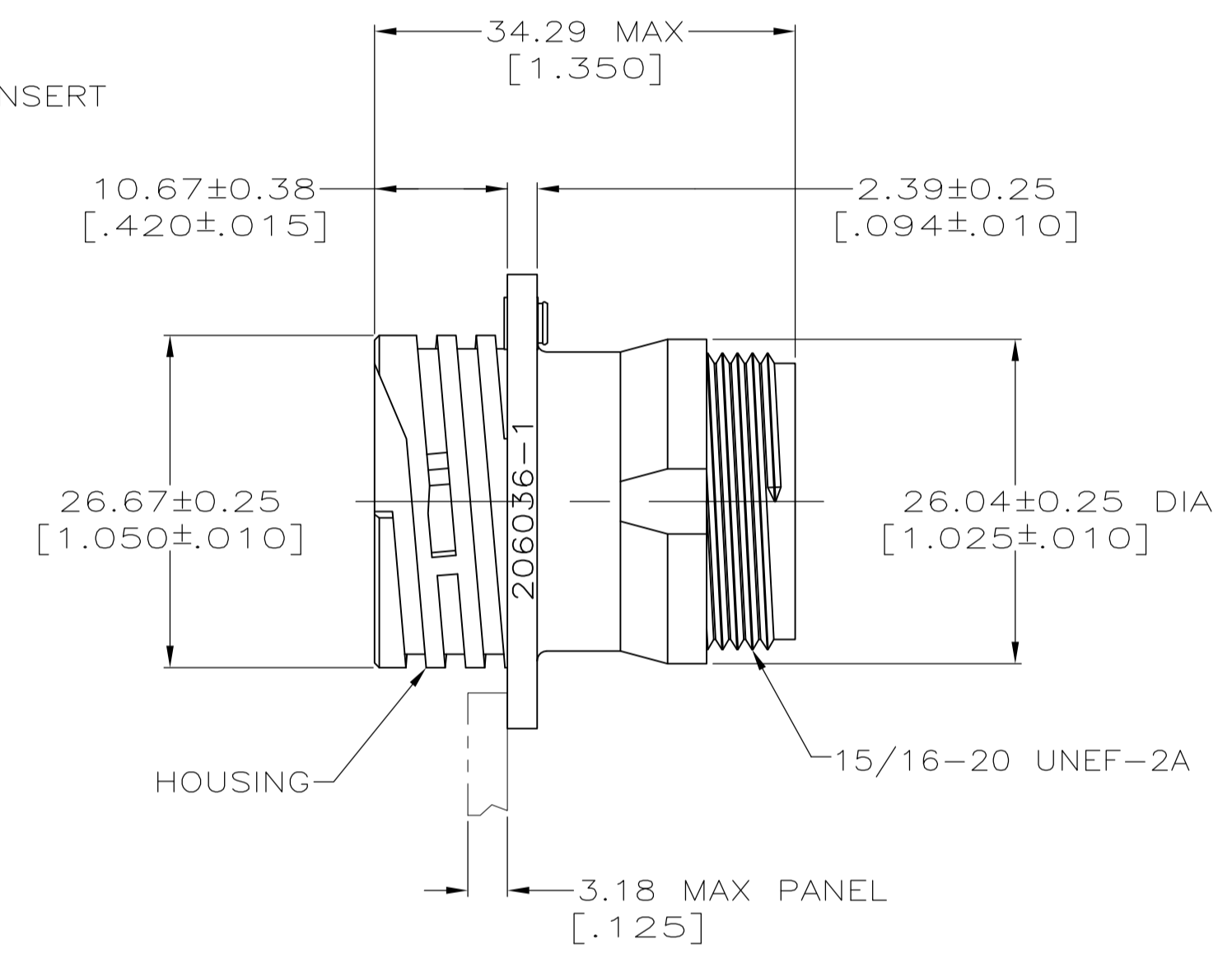
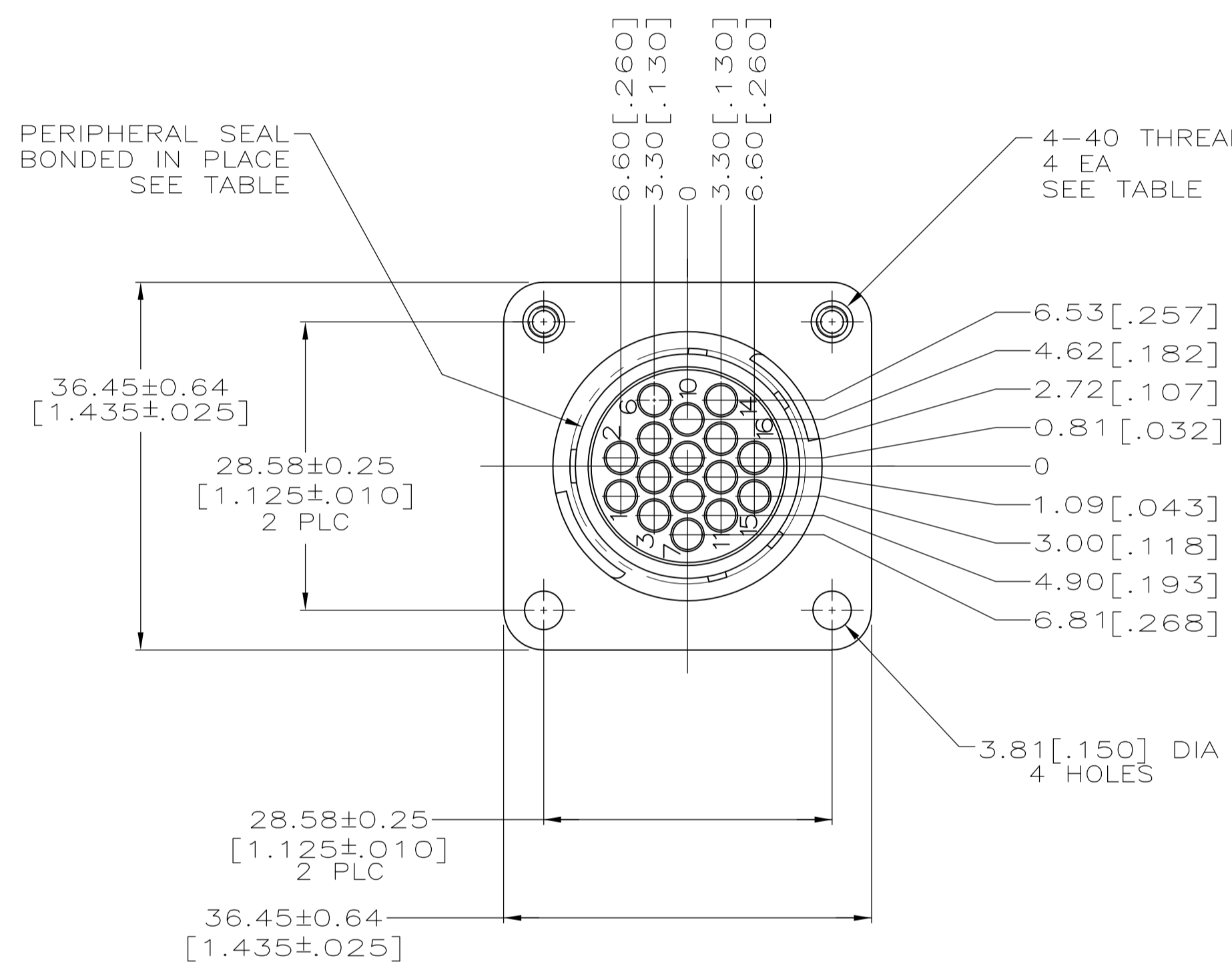


- 1 HOUSING: NYLON, BLACK.
PERIPHERAL SEAL: ELASTOMER, GRAY.
THREADED INSERTS: BRASS.
- 2 CAVITY IDENTIFICATION ON FRONT AND REAR FACE.
- 3 WILL ACCEPT (16) MULTIMATE PIN CONTACTS.
- 4 HOUSING: NYLON, BLUE.
PERIPHERAL SEAL: ELASTOMER, GRAY.
THREADED INSERTS: BRASS.
- 5 OBSOLETE PARTS: OBSOLETE CIS STREAMLINING PER D.RENAUD/D.SINISI



RECOMMENDED PANEL CUTOUT

OBSOLETE	STANDARD	NO	YES	206036-9
	STANDARD	YES	NO	206036-8
	SMALL PACK	NO	NO	206036-7
	STANDARD	NO	YES	206036-4
	STANDARD	NO	NO	206036-1
MATERIAL	PACKAGING	4-40 THREADED INSERTS	PERIPHERAL SEAL	PART NUMBER

THIS DRAWING IS A CONTROLLED DOCUMENT.

DIN	D. GELTZ	07/27/93
CHK	R. STONE	7-22-93
APVO	A. FRANTUM	8-12-93

STE TE Connectivity

NAME: RECEPTACLE HOUSING, STD SEX, SHELL SIZE 17, CPC

PRODUCT SPEC: 108-10024

APPLICATION SPEC: -

SIZE: A1

WEIGHT: -

CUSTOMER DRAWING

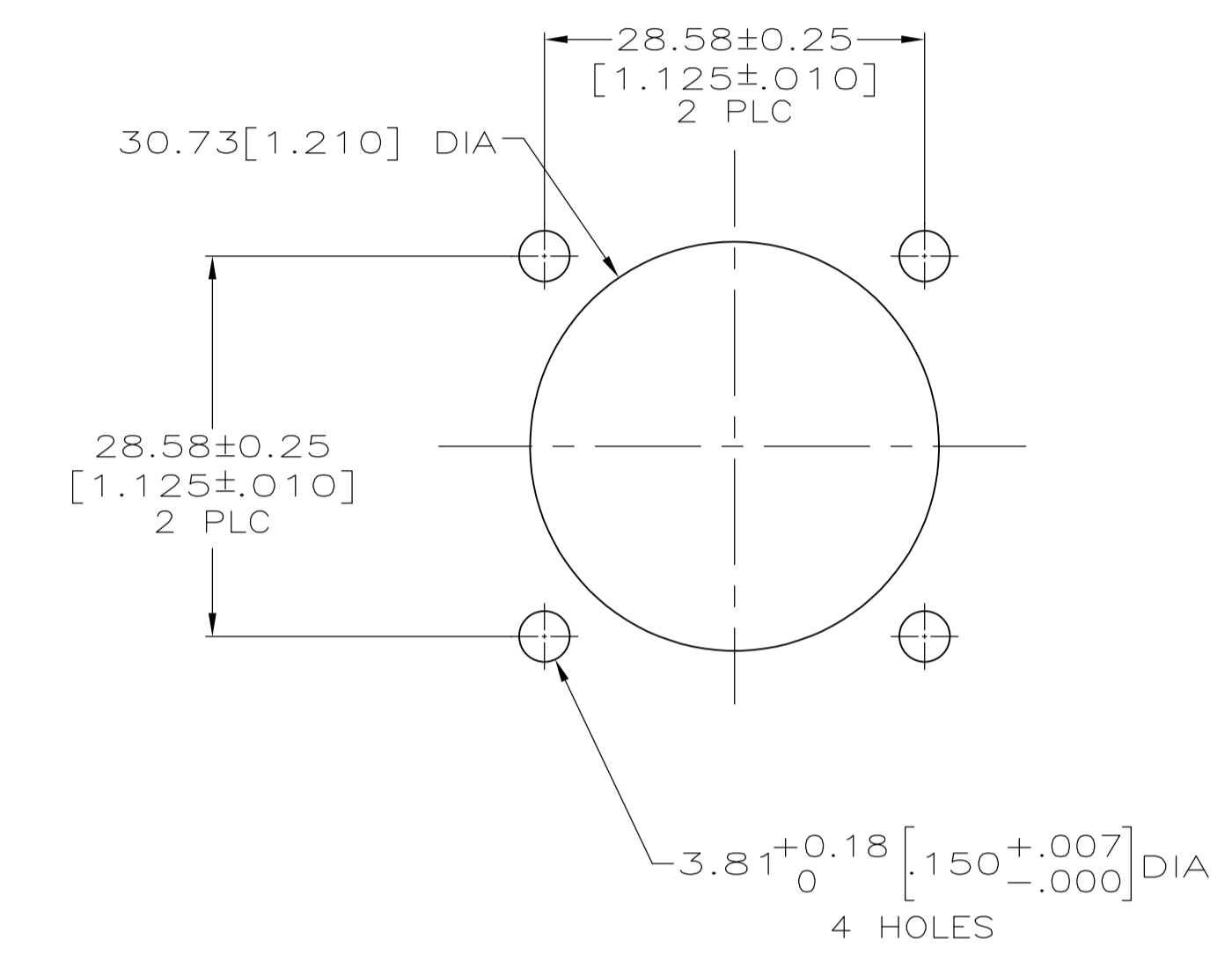
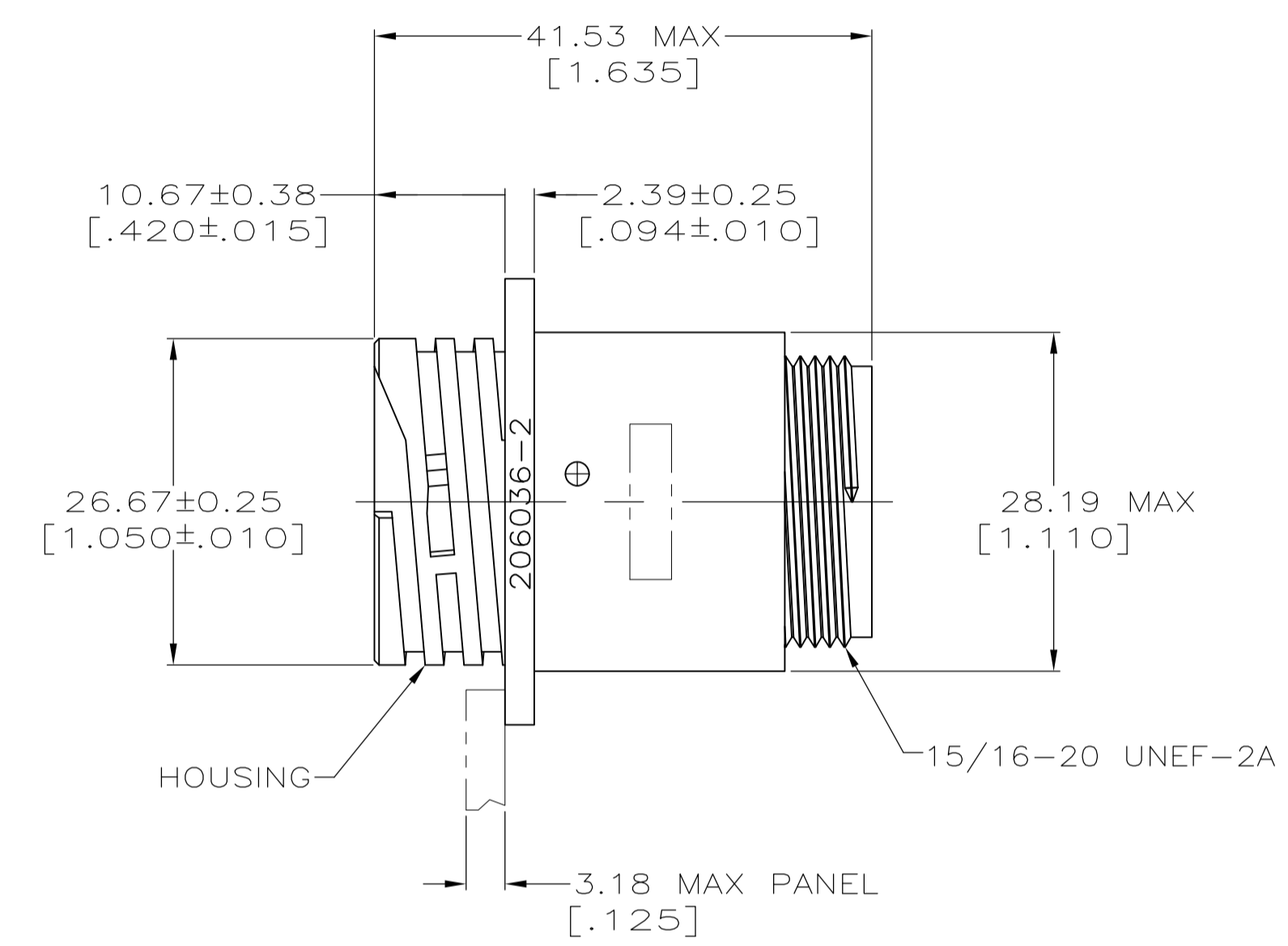
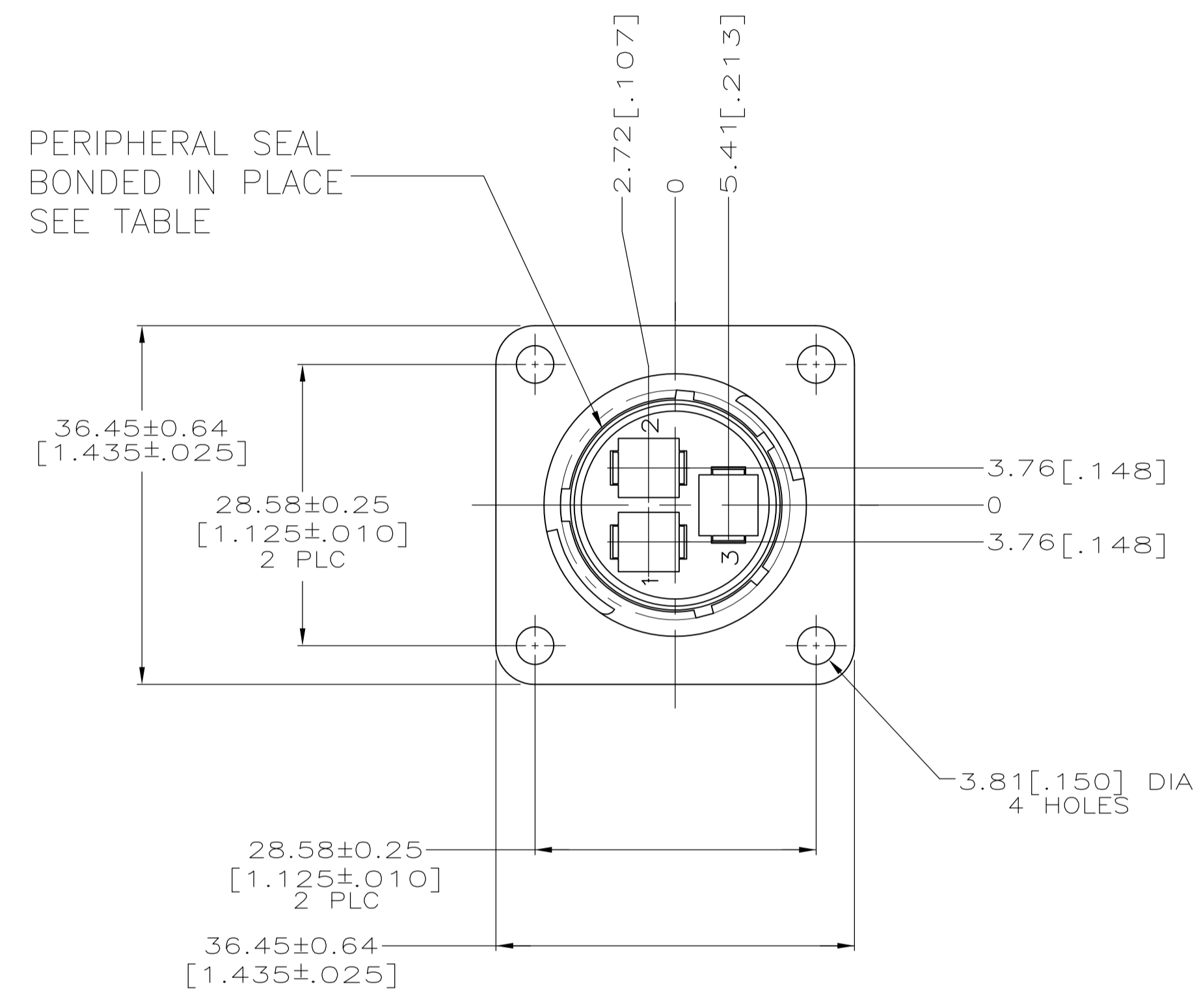
SCALE: 2:1

SHEET: 1 OF 3

REV: T

LOC	DIST	REVISIONS				
FT	0	REV	DESCRIPTION	DATE	BY	APPROV
-	-	1	SEE SHEET 1	-	-	-

- 1 CAVITY IDENTIFICATION ON FRONT AND REAR FACE.
- 2 WILL ACCEPT (3) TYPE XII PIN CONTACTS.
- 3 HOUSING: NYLON, BLACK.
PERIPHERAL SEAL: ELASTOMER, GRAY.

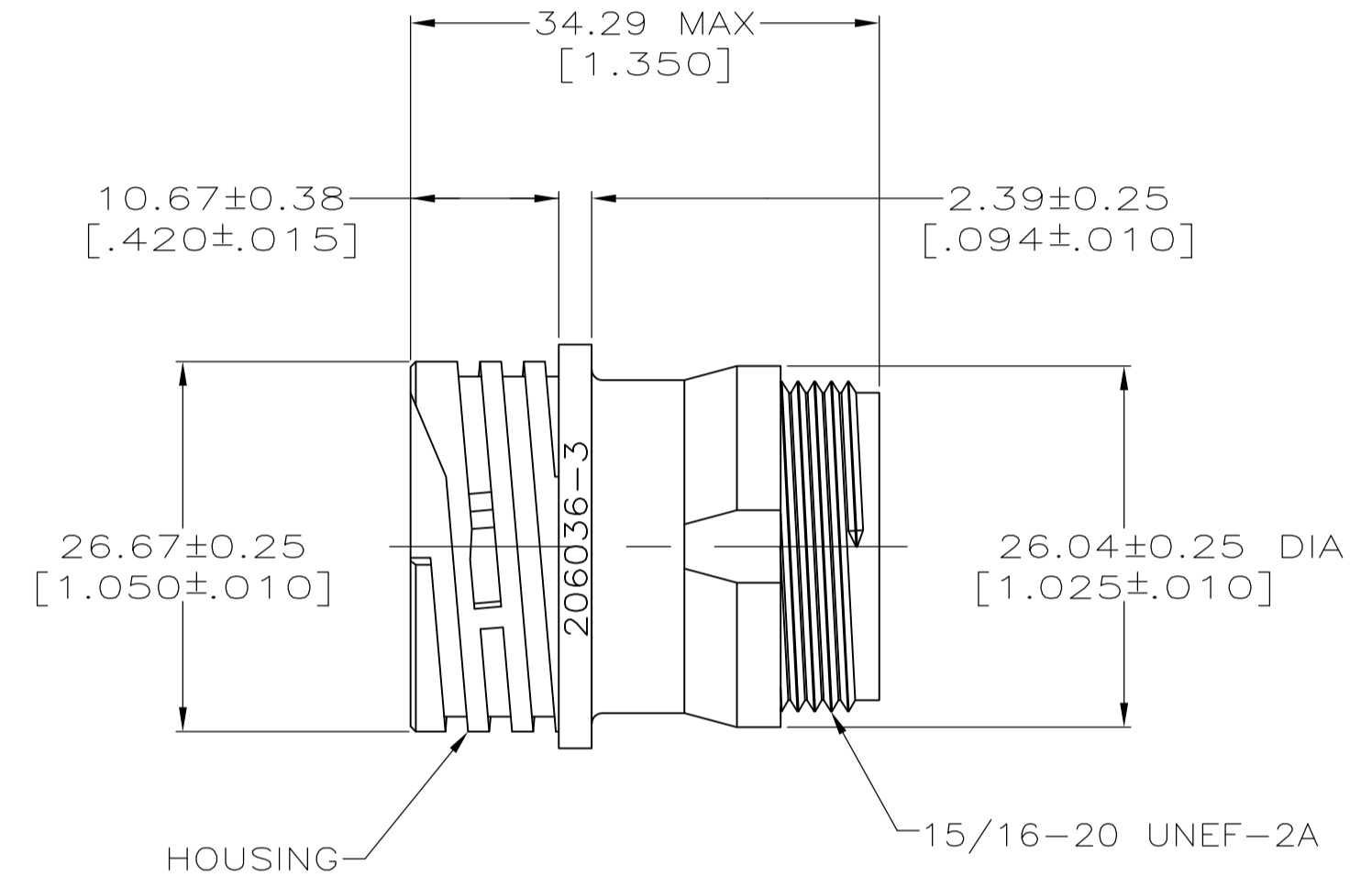
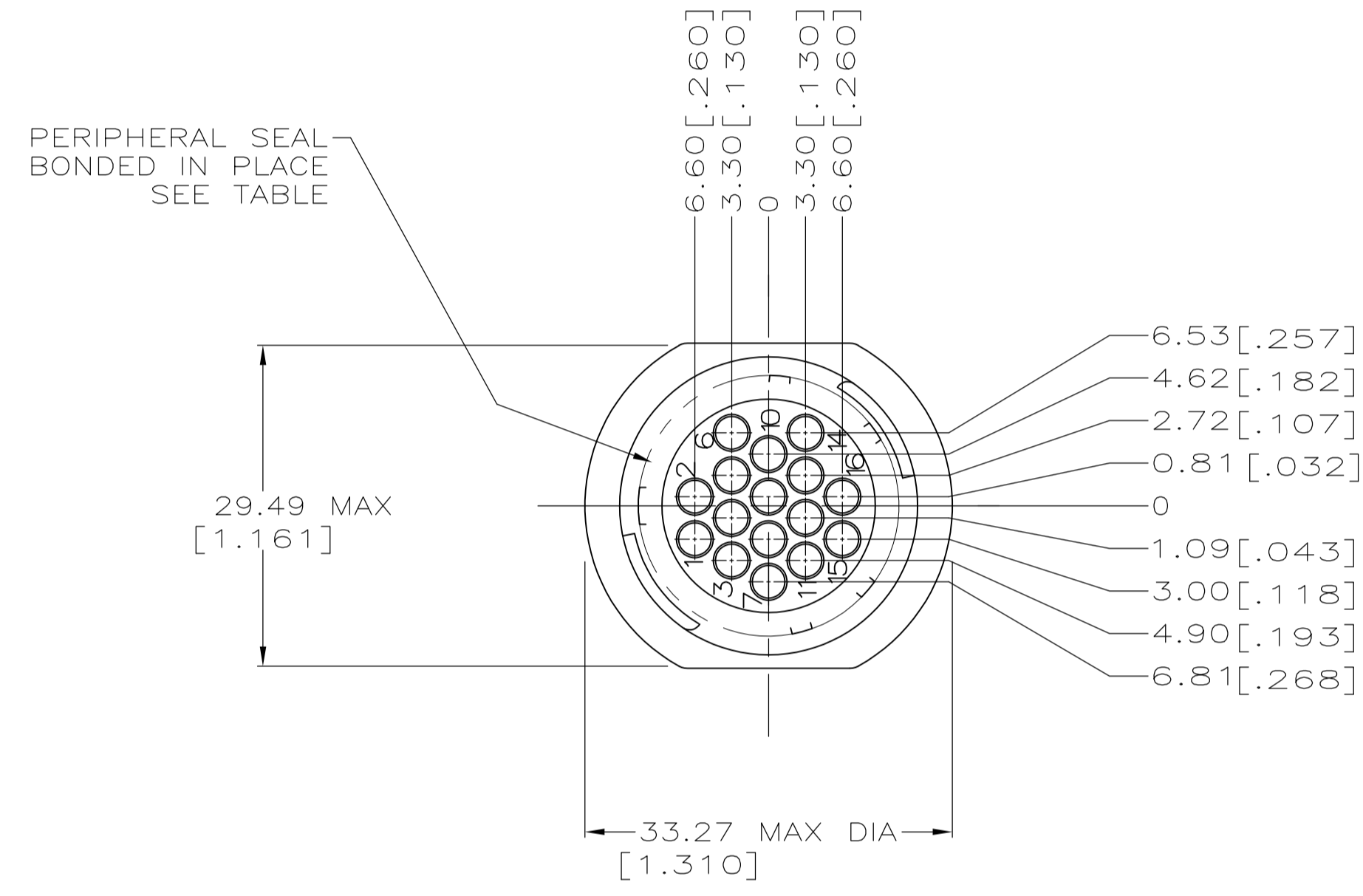


RECOMMENDED PANEL CUTOUT

PRELIMINARY	<input type="checkbox"/>	NO	YES	1-206036-6
	<input type="checkbox"/>	NO	NO	206036-2
MATERIAL	4-40 THREADED INSERTS	PERIPHERAL SEAL	PART NUMBER	
THIS DRAWING IS A CONTROLLED DOCUMENT.		DIN D. GELTZ 07/27/93 CJK R. STONE 7-22-93 APVO A. FRANTUM 8-12-93		STE TE Connectivity NAME RECEPTACLE HOUSING, STD SEX, SHELL SIZE 17, CPC PRODUCT SPEC 108-10024 APPLICATION SPEC
DIMENSIONS: mm(INCHES)	TOLERANCES UNLESS OTHERWISE SPECIFIED:	SIZE	CAGE CODE	DRAWING NO
0 PLC ± - 1 PLC ± - 2 PLC ± 0.13 [.005] 3 PLC ± - 4 PLC ± - ANGLES ± -	0 PLC ± - 1 PLC ± - 2 PLC ± 0.13 [.005] 3 PLC ± - 4 PLC ± - ANGLES ± -	A1	00779	206036
MATERIAL	FINISH	WEIGHT	CUSTOMER DRAWING	SCALE 2:1 SHEET 2 OF 3 REV T

LOC		DIST		REVISIONS			
FT	0	P	LTR	DESCRIPTION	DATE	DN	APVO
-	-	-	-	SEE SHEET 1	-	-	-

- 1 CAVITY IDENTIFICATION ON FRONT AND REAR FACE.
- 2 WILL ACCEPT (16) MULTIMATE PIN CONTACTS.
- 3 HOUSING: NYLON, BLACK.
PERIPHERAL SEAL: ELASTOMER, GRAY.
- 4 HOUSING: POLYESTER, PBT, BLACK.
PERIPHERAL SEAL: ELASTOMER, GRAY.



OBSOLETE			
	4	NO	1-206036-3
	3	YES	206036-5
	3	NO	206036-3
		MATERIAL	PERIPHERAL SEAL
			PART NUMBER

THIS DRAWING IS A CONTROLLED DOCUMENT.

DIMENSIONS: mm(INCHES)	TOLERANCES UNLESS OTHERWISE SPECIFIED:	0 PLC ± -	1 PLC ± -	2 PLC ± 0.13 [.005]	3 PLC ± -	4 PLC ± -	ANGLES ± -	FINISH -	
DIN D. GELTZ 07/27/93 CJK R. STONE 7-22-93 APVO A. FRANTUM 8-12-93 PRODUCT SPEC 108-10024 APPLICATION SPEC -		NAME RECEPTACLE HOUSING, STD SEX, SHELL SIZE 17, CPC SIZE A1 CAGE CODE 00779 DRAWING NO. 206036 RESTRICTED TO -							
MATERIAL -		WEIGHT -		CUSTOMER DRAWING		SCALE 2:1		SHEET 3 OF 3	

STE TE Connectivity

Mouser Electronics

Authorized Distributor

Click to View Pricing, Inventory, Delivery & Lifecycle Information:

[TE Connectivity:](#)

[206036-3](#)