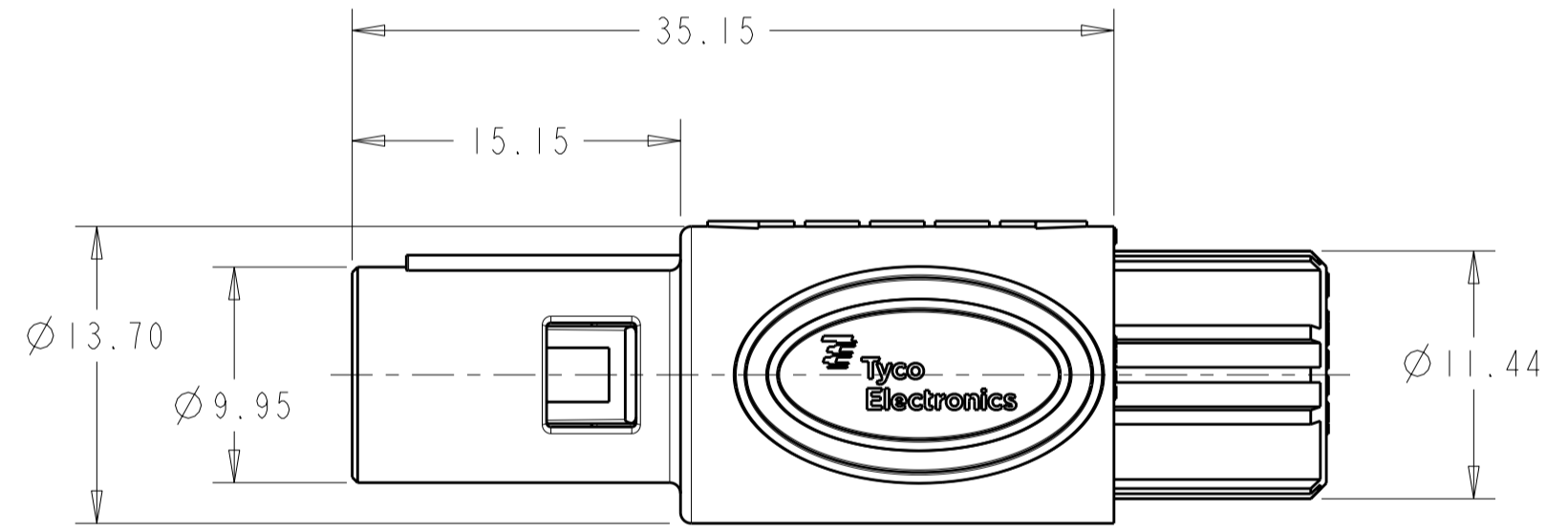
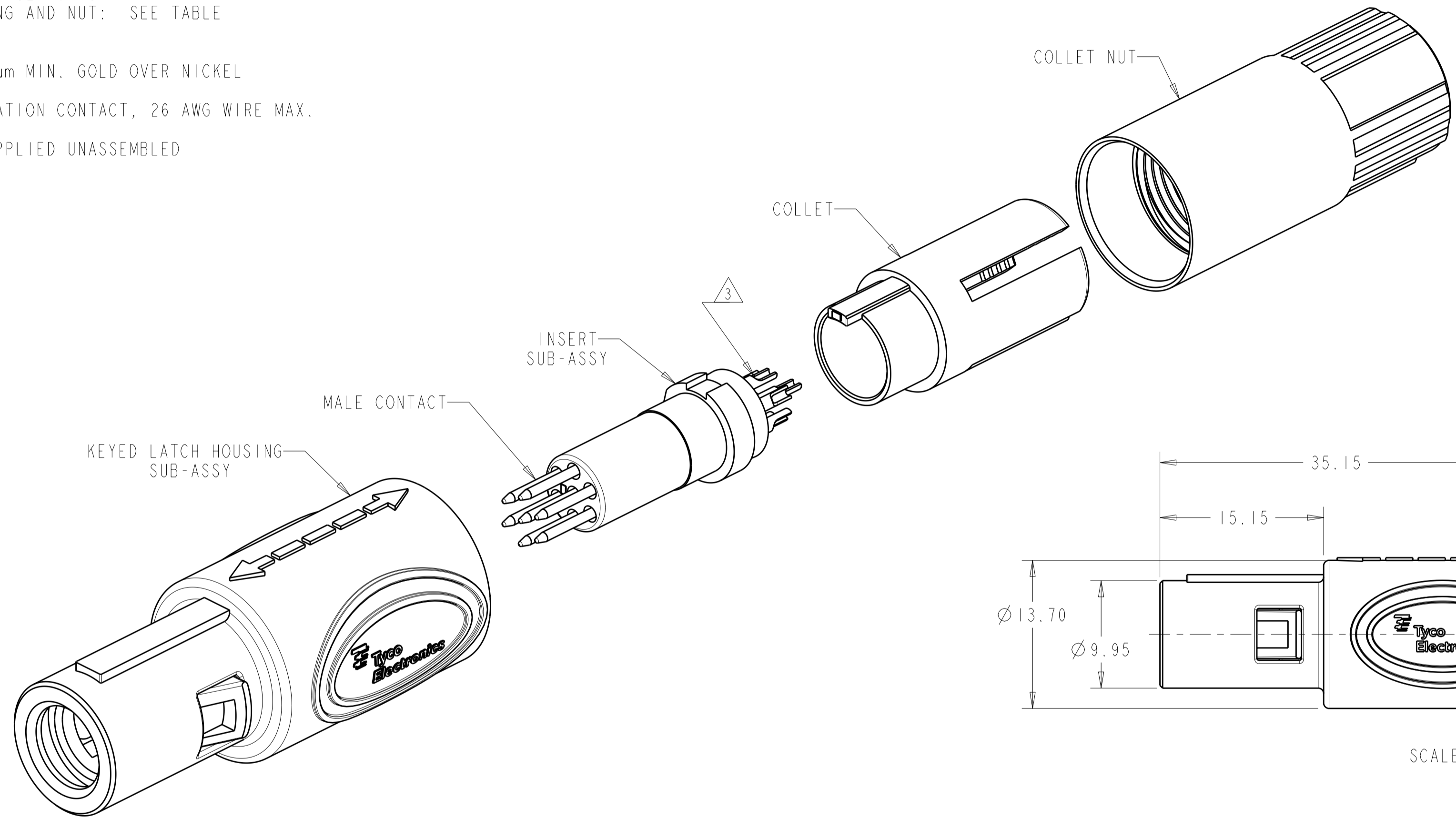


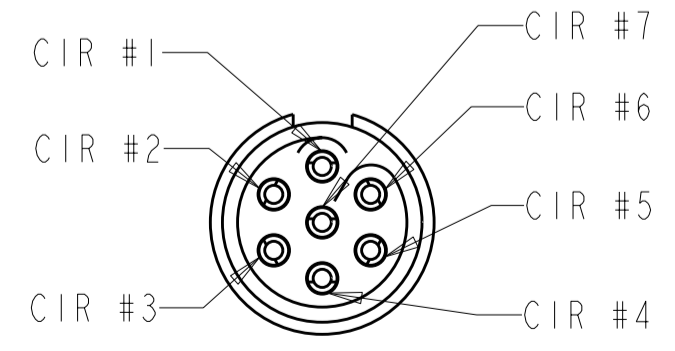
THIS DRAWING IS UNPUBLISHED. RELEASED FOR PUBLICATION 20  
 © COPYRIGHT 20 BY - ALL RIGHTS RESERVED.

| LOC | DIST | REVISIONS   |                           |           |        |
|-----|------|-------------|---------------------------|-----------|--------|
| P   | LTR  | DESCRIPTION | DATE                      | DWN       | APVD   |
| AD  | 00   | B3          | REVISED PER ECO-11-005027 | 12MAR2011 | RK HMR |

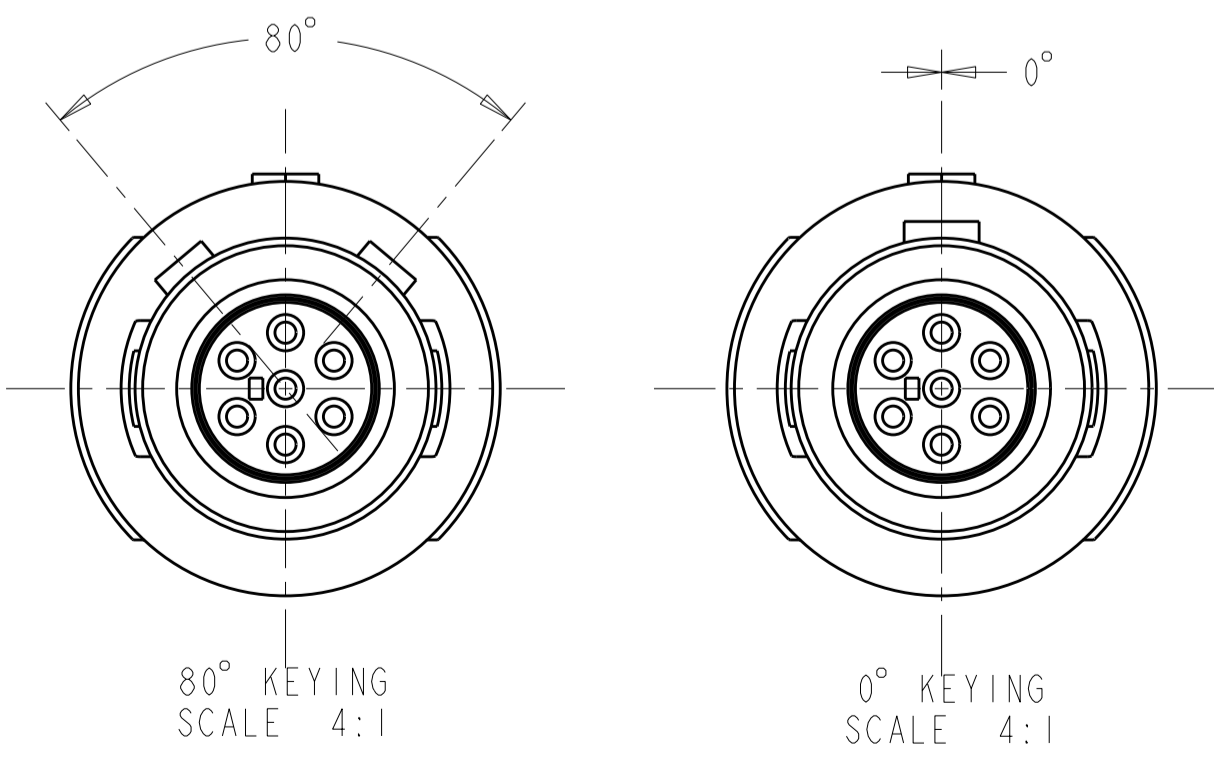
- 1 MATERIAL:  
 CONTACT: BRASS  
 LATCH HOUSING, INSERT, COLLET NUT:  
 UL 94V-0 RATED THERMOPLASTIC  
 COLOR:  
 COLLET AND INSERT: GRAY  
 LATCH HOUSING AND NUT: SEE TABLE
- 2 FINISH:  
 CONTACT, 0.75µm MIN. GOLD OVER NICKEL
- 3 SOLDER TERMINATION CONTACT, 26 AWG WIRE MAX.
- 4. PRODUCT IS SUPPLIED UNASSEMBLED



SCALE 3:1



INSERT SUB-ASSY  
 CIRCUIT DESIGNATION VIEW



80° KEYING  
 SCALE 4:1

0° KEYING  
 SCALE 4:1

SEE SHEET 2 FOR  
 PART NUMBER SELECTION

PART NO.


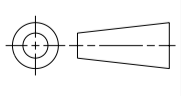
|  |  |                                 |                          |  |                          |
|--|--|---------------------------------|--------------------------|--|--------------------------|
| THIS DRAWING IS A CONTROLLED DOCUMENT. |  | DWN<br>K. MILLER<br>09MAR2006   | <br>TE Connectivity      | NAME   |                          |
| DIMENSIONS:<br>mm                      |  | CHK<br>L. BREKOSKY<br>09MAR2006 |                          | 7 POSITION, CABLE COLLET<br>STRAIGHT PLUG ASSEMBLY<br>0 AND 80 DEGREE KEYING |                          |
| TOLERANCES UNLESS OTHERWISE SPECIFIED: |  | APVD<br>-                       | PRODUCT SPEC<br>108-2249 | APPLICATION SPEC<br>114-13184  | RESTRICTED TO<br>-       |
| MATERIAL                               |  | WEIGHT<br>-                     | SIZE<br>A2               | CAGE CODE<br>00779   | DRAWING NO.<br>C-1877847 |
| CUSTOMER DRAWING                       |  | SCALE<br>4:1                    | SHEET<br>1 OF 3          |  | REV<br>B3                |

THIS DRAWING IS UNPUBLISHED. RELEASED FOR PUBLICATION 20  
 © COPYRIGHT 20 BY ALL RIGHTS RESERVED.

| LOC | DIST | REVISIONS |     |             |      |     |      |
|-----|------|-----------|-----|-------------|------|-----|------|
| AD  | 00   | P         | LTR | DESCRIPTION | DATE | DWN | APVD |
|     |      | -         |     | SEE SHEET 1 |      |     |      |

|                         |                  |                     |        |             |
|-------------------------|------------------|---------------------|--------|-------------|
| Ø 2.7-Ø 3.9             | BLUE             | GRAY                | 80°    | 7-1877847-2 |
| Ø 4.0-Ø 5.2             | BLUE             | GRAY                | 80°    | 7-1877847-1 |
| Ø 5.3-Ø 6.5             | BLUE             | GRAY                | 80°    | 7-1877847-0 |
| Ø 2.7-Ø 3.9             | BLUE             | GRAY                | 0°     | 6-1877847-9 |
| Ø 4.0-Ø 5.2             | BLUE             | GRAY                | 0°     | 6-1877847-8 |
| Ø 5.3-Ø 6.5             | BLUE             | GRAY                | 0°     | 6-1877847-7 |
| Ø 2.7-Ø 3.9             | BLUE             | BLACK               | 80°    | 6-1877847-6 |
| Ø 4.0-Ø 5.2             | BLUE             | BLACK               | 80°    | 6-1877847-5 |
| Ø 5.3-Ø 6.5             | BLUE             | BLACK               | 80°    | 6-1877847-4 |
| Ø 2.7-Ø 3.9             | BLUE             | BLACK               | 0°     | 6-1877847-3 |
| Ø 4.0-Ø 5.2             | BLUE             | BLACK               | 0°     | 6-1877847-2 |
| Ø 5.3-Ø 6.5             | BLUE             | BLACK               | 0°     | 6-1877847-1 |
| Ø 2.7-Ø 3.9             | GREEN            | GRAY                | 80°    | 6-1877847-0 |
| Ø 4.0-Ø 5.2             | GREEN            | GRAY                | 80°    | 5-1877847-9 |
| Ø 5.3-Ø 6.5             | GREEN            | GRAY                | 80°    | 5-1877847-8 |
| Ø 2.7-Ø 3.9             | GREEN            | GRAY                | 0°     | 5-1877847-7 |
| Ø 4.0-Ø 5.2             | GREEN            | GRAY                | 0°     | 5-1877847-6 |
| Ø 5.3-Ø 6.5             | GREEN            | GRAY                | 0°     | 5-1877847-5 |
| Ø 2.7-Ø 3.9             | GREEN            | BLACK               | 80°    | 5-1877847-4 |
| Ø 4.0-Ø 5.2             | GREEN            | BLACK               | 80°    | 5-1877847-3 |
| Ø 5.3-Ø 6.5             | GREEN            | BLACK               | 80°    | 5-1877847-2 |
| Ø 2.7-Ø 3.9             | GREEN            | BLACK               | 0°     | 5-1877847-1 |
| Ø 4.0-Ø 5.2             | GREEN            | BLACK               | 0°     | 5-1877847-0 |
| Ø 5.3-Ø 6.5             | GREEN            | BLACK               | 0°     | 4-1877847-9 |
| Ø 2.7-Ø 3.9             | YELLOW           | GRAY                | 80°    | 4-1877847-8 |
| Ø 4.0-Ø 5.2             | YELLOW           | GRAY                | 80°    | 4-1877847-7 |
| Ø 5.3-Ø 6.5             | YELLOW           | GRAY                | 80°    | 4-1877847-6 |
| Ø 2.7-Ø 3.9             | YELLOW           | GRAY                | 0°     | 4-1877847-5 |
| Ø 4.0-Ø 5.2             | YELLOW           | GRAY                | 0°     | 4-1877847-4 |
| Ø 5.3-Ø 6.5             | YELLOW           | GRAY                | 0°     | 4-1877847-3 |
| Ø 2.7-Ø 3.9             | YELLOW           | BLACK               | 80°    | 4-1877847-2 |
| Ø 4.0-Ø 5.2             | YELLOW           | BLACK               | 80°    | 4-1877847-1 |
| Ø 5.3-Ø 6.5             | YELLOW           | BLACK               | 80°    | 4-1877847-0 |
| Ø 2.7-Ø 3.9             | YELLOW           | BLACK               | 0°     | 3-1877847-9 |
| Ø 4.0-Ø 5.2             | YELLOW           | BLACK               | 0°     | 3-1877847-8 |
| Ø 5.3-Ø 6.5             | YELLOW           | BLACK               | 0°     | 3-1877847-7 |
| CABLE RANGE             | COLLET NUT COLOR | LATCH HOUSING COLOR | KEYING | PART NO.    |
| PART NUMBERS 37 THRU 72 |                  |                     |        |             |

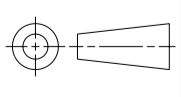
|                        |                  |                     |        |             |
|------------------------|------------------|---------------------|--------|-------------|
| Ø 2.7-Ø 3.9            | WHITE            | GRAY                | 80°    | 3-1877847-6 |
| Ø 4.0-Ø 5.2            | WHITE            | GRAY                | 80°    | 3-1877847-5 |
| Ø 5.3-Ø 6.5            | WHITE            | GRAY                | 80°    | 3-1877847-4 |
| Ø 2.7-Ø 3.9            | WHITE            | GRAY                | 0°     | 3-1877847-3 |
| Ø 4.0-Ø 5.2            | WHITE            | GRAY                | 0°     | 3-1877847-2 |
| Ø 5.3-Ø 6.5            | WHITE            | GRAY                | 0°     | 3-1877847-1 |
| Ø 2.7-Ø 3.9            | WHITE            | BLACK               | 80°    | 3-1877847-0 |
| Ø 4.0-Ø 5.2            | WHITE            | BLACK               | 80°    | 2-1877847-9 |
| Ø 5.3-Ø 6.5            | WHITE            | BLACK               | 80°    | 2-1877847-8 |
| Ø 2.7-Ø 3.9            | WHITE            | BLACK               | 0°     | 2-1877847-7 |
| Ø 4.0-Ø 5.2            | WHITE            | BLACK               | 0°     | 2-1877847-6 |
| Ø 5.3-Ø 6.5            | WHITE            | BLACK               | 0°     | 2-1877847-5 |
| Ø 2.7-Ø 3.9            | RED              | GRAY                | 80°    | 2-1877847-4 |
| Ø 4.0-Ø 5.2            | RED              | GRAY                | 80°    | 2-1877847-3 |
| Ø 5.3-Ø 6.5            | RED              | GRAY                | 80°    | 2-1877847-2 |
| Ø 2.7-Ø 3.9            | RED              | GRAY                | 0°     | 2-1877847-1 |
| Ø 4.0-Ø 5.2            | RED              | GRAY                | 0°     | 2-1877847-0 |
| Ø 5.3-Ø 6.5            | RED              | GRAY                | 0°     | 1-1877847-9 |
| Ø 2.7-Ø 3.9            | RED              | BLACK               | 80°    | 1-1877847-8 |
| Ø 4.0-Ø 5.2            | RED              | BLACK               | 80°    | 1-1877847-7 |
| Ø 5.3-Ø 6.5            | RED              | BLACK               | 80°    | 1-1877847-6 |
| Ø 2.7-Ø 3.9            | RED              | BLACK               | 0°     | 1-1877847-5 |
| Ø 4.0-Ø 5.2            | RED              | BLACK               | 0°     | 1-1877847-4 |
| Ø 5.3-Ø 6.5            | RED              | BLACK               | 0°     | 1-1877847-3 |
| Ø 2.7-Ø 3.9            | GRAY             | GRAY                | 80°    | 1-1877847-2 |
| Ø 4.0-Ø 5.2            | GRAY             | GRAY                | 80°    | 1-1877847-1 |
| Ø 5.3-Ø 6.5            | GRAY             | GRAY                | 80°    | 1-1877847-0 |
| Ø 2.7-Ø 3.9            | GRAY             | GRAY                | 0°     | 1877847-9   |
| Ø 4.0-Ø 5.2            | GRAY             | GRAY                | 0°     | 1877847-8   |
| Ø 5.3-Ø 6.5            | GRAY             | GRAY                | 0°     | 1877847-7   |
| Ø 2.7-Ø 3.9            | BLACK            | BLACK               | 80°    | 1877847-6   |
| Ø 4.0-Ø 5.2            | BLACK            | BLACK               | 80°    | 1877847-5   |
| Ø 5.3-Ø 6.5            | BLACK            | BLACK               | 80°    | 1877847-4   |
| Ø 2.7-Ø 3.9            | BLACK            | BLACK               | 0°     | 1877847-3   |
| Ø 4.0-Ø 5.2            | BLACK            | BLACK               | 0°     | 1877847-2   |
| Ø 5.3-Ø 6.5            | BLACK            | BLACK               | 0°     | 1877847-1   |
| CABLE RANGE            | COLLET NUT COLOR | LATCH HOUSING COLOR | KEYING | PART NO.    |
| PART NUMBERS 1 THRU 36 |                  |                     |        |             |

|   |  |  |   |  |  |
|---|--|--|---|--|--|
| THIS DRAWING IS A CONTROLLED DOCUMENT.  |  | DWN<br>K. MILLER<br>09MAR2006  |  TE Connectivity |  |  |
|   |  | CHK<br>L. BREKOSKY<br>09MAR2006  |   |  |  |
| DIMENSIONS:<br>mm   |  | TOLERANCES UNLESS OTHERWISE SPECIFIED:<br>0 PLC ±<br>1 PLC ±0.13<br>2 PLC ±0.08<br>3 PLC ±<br>4 PLC ±<br>ANGLES ±°<br>FINISH |   | NAME<br>7 POSITION, CABLE COLLET STRAIGHT PLUG ASSEMBLY 0 AND 80 DEGREE KEYING   |  |
|  |  | PRODUCT SPEC<br>108-2249<br>APPLICATION SPEC<br>114-13184  |   | SIZE<br>A2<br>CAGE CODE<br>00779<br>DRAWING NO.<br>1877847<br>RESTRICTED TO<br>- |  |
| MATERIAL  |  | WEIGHT   |   | CUSTOMER DRAWING<br>SCALE 4:1<br>SHEET 2 OF 3<br>REV B3                          |  |

THIS DRAWING IS UNPUBLISHED.      RELEASED FOR PUBLICATION      20  
 © COPYRIGHT 20      BY      ALL RIGHTS RESERVED.

| LOC | DIST | REVISIONS |     |             |      |     |      |
|-----|------|-----------|-----|-------------|------|-----|------|
|     |      | P         | LTR | DESCRIPTION | DATE | DWN | APVD |
| AD  | 00   | -         |     | SEE SHEET 1 | -    | -   | -    |
|     |      |           |     |             |      |     |      |
|     |      |           |     |             |      |     |      |

|                                |                     |                        |        |             |
|--------------------------------|---------------------|------------------------|--------|-------------|
| ∅ 2.7-∅ 3.9                    | BLACK               | GRAY                   | 80°    | 8-1877847-4 |
| ∅ 4.0-∅ 5.2                    | BLACK               | GRAY                   | 80°    | 8-1877847-3 |
| ∅ 5.3-∅ 6.5                    | BLACK               | GRAY                   | 80°    | 8-1877847-2 |
| ∅ 2.7-∅ 3.9                    | BLACK               | GRAY                   | 0°     | 8-1877847-1 |
| ∅ 4.0-∅ 5.2                    | BLACK               | GRAY                   | 0°     | 8-1877847-0 |
| ∅ 5.3-∅ 6.5                    | BLACK               | GRAY                   | 0°     | 7-1877847-9 |
| ∅ 2.7-∅ 3.9                    | GRAY                | BLACK                  | 80°    | 7-1877847-8 |
| ∅ 4.0-∅ 5.2                    | GRAY                | BLACK                  | 80°    | 7-1877847-7 |
| ∅ 5.3-∅ 6.5                    | GRAY                | BLACK                  | 80°    | 7-1877847-6 |
| ∅ 2.7-∅ 3.9                    | GRAY                | BLACK                  | 0°     | 7-1877847-5 |
| ∅ 4.0-∅ 5.2                    | GRAY                | BLACK                  | 0°     | 7-1877847-4 |
| ∅ 5.3-∅ 6.5                    | GRAY                | BLACK                  | 0°     | 7-1877847-3 |
| CABLE RANGE                    | COLLET NUT<br>COLOR | LATCH HOUSING<br>COLOR | KEYING | PART NO.    |
| <b>PART NUMBERS 73 THRU 84</b> |                     |                        |        |             |

|   |   |                                 |  |                         |
|---|---|---------------------------------|--|-------------------------|
| THIS DRAWING IS A CONTROLLED DOCUMENT.  |   | DWN<br>K. MILLER<br>09MAR2006   | <b>STE</b> TE Connectivity   |                         |
|   |   | CHK<br>L. BREKOSKY<br>09MAR2006 |  |                         |
| DIMENSIONS:<br>mm   | TOLERANCES UNLESS<br>OTHERWISE SPECIFIED: | APVD<br>-                       | NAME<br>7 POSITION, CABLE COLLET<br>STRAIGHT PLUG ASSEMBLY<br>0 AND 80 DEGREE KEYING |                         |
|  | 0 PLC ±-                                  | PRODUCT SPEC<br>108-2249        | SIZE    CAGE CODE    DRAWING NO.    RESTRICTED TO                                    |                         |
|   | 1 PLC ±0.13                               | APPLICATION SPEC<br>114-13184   | A2   | 00779                   |
| MATERIAL  | FINISH                                    | WEIGHT<br>-                     | C=1877847  |                         |
|   |   | CUSTOMER DRAWING                | SCALE 4:1  | SHEET 3 OF 3    REV B.3 |

# Mouser Electronics

Authorized Distributor

Click to View Pricing, Inventory, Delivery & Lifecycle Information:

[TE Connectivity:](#)

[4-1877847-0](#)