

110/316P-Series

PUSHBUTTON SWITCHES

The 110/316P-Series provides a compact yet rugged solution to general purpose switch needs. Alternate action, metal construction and stiff (6-8 lb) actuation force have combined to make this switch a pillar in a variety of markets. This versatile switch is available in maintained and momentary circuits with a variety of termination and rating options.



Product Highlights:

- ♦ Ratings to 5A 250V, 10A 125V AC or DC
- ♦ Maintained or momentary circuitry
- ♦ On-Off, On-On and 2 circuit function options
- ♦ Choice of 4 different termination options

Typical Applications:

- ♦ Music Industry
- ♦ Audio/Visual
- ♦ Electronic Road Signs



Dielectric Strength

UL/CSA: 1000V - live to dead metal parts & opposite polarity

Mechanical Life

100,000 cycles

Electrical Life

25,000 cycles

Operating Temperature

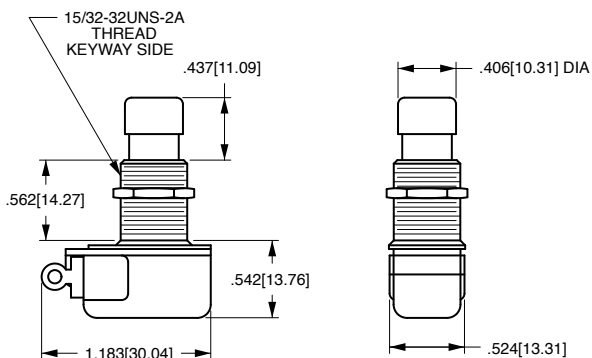
32°F to 185°F (0°C to 85°C)

110-P

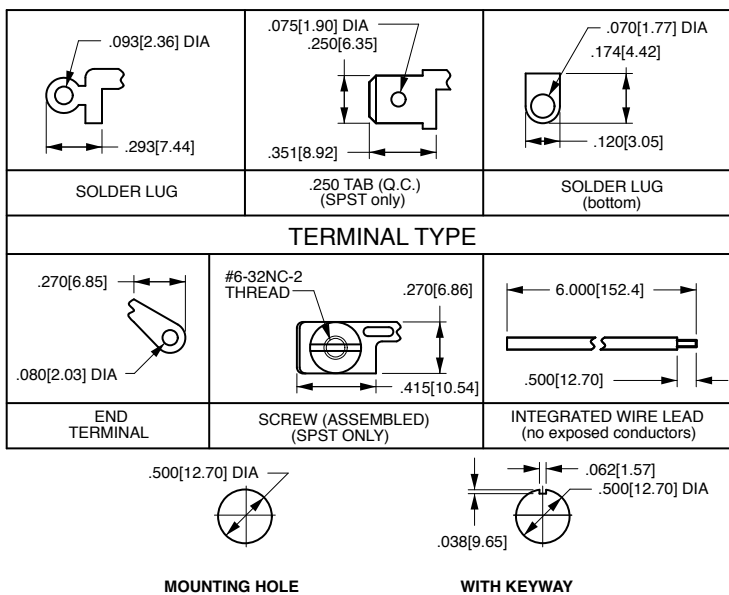
¹
Part Number

1 PART NUMBER: SERIES / ACTUATOR / CIRCUITRY / RATING / TERMINATION	solder lug (end)	solder lug (bottom)	screw terminals	wire leads
Single Pole				
3A 250V, 6A 125V				
OFF-ON	110-P	110-BP	110-SP	111-16-P
OFF-(ON)	110-PM-OFF	110-PBM-OFF	110-SPM-OFF	111-PM-OFF
ON-(OFF)	110-PM-ON	110-PBM-ON	110-SPM-ON	111-PM-ON
5A 250V, 10A 125V, 1/4 HP 125V				
OFF-ON	160H-P	160H-BP	160H-SP	160H-AP
1A 250V, 3A 125V				
ON-ON	112-P	-	-	112-PA
ON-(ON)	112-PM	-	-	112-PAM
Double Pole				
1A 250V, 3A 125V				
OFF-ON	216-PP	-	-	216-PPA
OFF-(ON)	216-PM-OFF	-	-	216-PAM-OFF
ON-(OFF)	216-PM-ON	-	-	216-PAM-ON
ON-ON	316-PP	316-B-PP	-	316-PPA
ON-(ON)	316-PM	316-B-PM	-	316-PAM
1 ON - 1 OFF (2 circuit)	516-PP	-	-	516-PPA
1 (ON) - 1 (OFF) (2 circuit)	516-PM	-	-	516-PAM

Notes:
() Indicates momentary function.



NOTE:
KEYWAY
.072[1.82] X .038[.965] DP



*Manufacturer reserves the right to change product specification without prior notice.

Authorized Sales Representatives and Distributors

Click on a region of the map below to find your local representatives and distributors or visit www.carlingtech.com/findarep.



About Carling

Founded in 1920, Carling Technologies is a leading manufacturer of electrical and electronic switches and assemblies, circuit breakers, electronic controls, power distribution units, and multiplexed power distribution systems. With four ISO registered manufacturing facilities and technical sales offices worldwide, Carling Technologies Sales, Service and Engineering teams do much more than manufacture electrical components, they engineer powerful solutions! To learn more about Carling please visit www.carlingtech.com/company-profile.

To view all of Carling's environmental, quality, health & safety certifications please visit www.carlingtech.com/environmental-certifications

Worldwide Headquarters

Carling Technologies, Inc.
60 Johnson Avenue, Plainville, CT 06062
Phone: 860.793.9281 **Fax:** 860.793.9231
Email: sales@carlingtech.com

Northern Region Sales Office: nrsm@carlingtech.com
Southeast Region Sales Office: sersm@carlingtech.com
Midwest Region Sales Office: mrrsm@carlingtech.com
West Region Sales Office: wrsm@carlingtech.com
Latin America Sales Office: larsm@carlingtech.com

Asia-Pacific Headquarters

Carling Technologies, Asia-Pacific Ltd.,
Suite 1607, 16/F Tower 2, The Gateway,
Harbour City, 25 Canton Road,
Tsimshatsui, Kowloon, Hong Kong
Phone: Int + 852-2737-2277 **Fax:** Int + 852-2736-9332
Email: sales@carlingtech.com.hk

Shenzhen, China: shenzhen@carlingtech.com
Shanghai, China: shanghai@carlingtech.com
Pune, India: india@carlingtech.com
Kaohsiung, Taiwan: taiwan@carlingtech.com
Yokohama, Japan: japan@carlingtech.com

Europe | Middle East | Africa Headquarters

Carling Technologies LTD
4 Airport Business Park, Exeter Airport,
Clyst Honiton, Exeter, Devon, EX5 2UL, UK
Phone: Int + 44 1392.364422 **Fax:** Int + 44 1392.364477
Email: ltd.sales@carlingtech.com

Germany: gmbh@carlingtech.com
France: sas@carlingtech.com



Carling Technologies®

Innovative Designs. Powerful Solutions.

Mouser Electronics

Authorized Distributor

Click to View Pricing, Inventory, Delivery & Lifecycle Information:

Carling Technologies:

[316-B-PP](#) [110-P](#) [111-PM-ON](#) [112-PM](#) [216-PPA](#) [110-B-73](#) [110-SP](#) [110-PM-OFF](#) [112-P](#) [316-PP](#) [216-PM-OFF](#)
[110-SPM-OFF](#) [112-PAM](#) [160H-AP](#) [160H-BP](#) [316-PM](#) [111-16P](#) [110-M-NO-73](#) [110-BP/2 HEX](#) [110-P/2 HEX](#) [110-](#)
[PBM-OFF/2 HEX](#) [110-PM-OFF-OV/TABS](#) [110-PBM-OFF/728-15907](#) [110-PM-OFF/2 HEX](#) [111-PM-OFF-OV/40](#) [516-](#)
[PAM/8](#) [110-SPM-OFF-OV-XSTG1](#) [316-PAM-XED1](#) [316-PPA-XRC1](#) [111-PM-ON-XLD1](#) [316-PP/2 HEX](#) [110-BP-](#)
[XDU1](#) [160H-AP-XPE2](#) [110-PM-OFF-XQT1](#) [112-P-XHZ1](#) [316-PM/168-05944 BULK](#) [316-PM/168-05944/ASSEM](#) [316-](#)
[PPA](#) [516-PP](#) [316-PM/POLY](#) [110-PBM-OFF-XWL1](#) [160H-AP-XLB1](#) [111-PM-OFF/POLY](#) [112-PM/POLY](#) [112-PXPE1](#)
[216-PAM-OFF/168-05943 BULK/POLY](#) [216-PAM-ON](#) [110-SPXTC1](#) [112-P-XDN1](#) [111-PM-ON-XRM1](#) [160H-AP-XCL1](#)
[160H-SP](#) [112-P/2 HEX](#) [110-SPM-ON](#) [110-PBM-ON](#) [110-PM-ON-OV/TABS](#) [110-SPM-OFF-OV](#) [110-SPM-ON/POLY](#)
[110-SPM-ON-OV](#) [112-P/728-15907](#) [160H-AP-XMKE1](#) [110-BP](#) [110-P/HDW ASSM](#) [110-P/728-15907](#) [110-P/TABS](#)
[110-PM-ON/TABS/2HEX/168-05943 BULK](#) [516-PAM-XSEM1](#) [112-P-XWAH1](#) [112-PA-XWH4](#) [110-PM-OFF/728-15946](#)
[316-PAM-XRC1](#) [111-PM-ON-XTB1](#) [316-B-PM](#) [111-PM-ON-XLTG1](#) [111-PM-OFF/7.5](#) [112-PAM-XWH4](#) [516-PAM-](#)
[XSES1](#) [111-16-P-XFC1](#) [111-PM-ON-XCD1](#) [111-PM-OFF-XFW1](#) [111-16-P/9](#) [112-P/HDW BULK](#) [111-16-P-XLT1](#)
[216-PM-ON/2 HEX](#) [110-PBM-OFF-XDU1](#) [110-SPM-OFF/728-15907](#) [160H-AP-XPR2](#) [111-16-P/3](#) [111-16-P/9/HDW](#)
[BULK](#) [111-PM-OFF-XEW1](#) [516-PAM-XMS1](#) [110-PM-OFF-XRM1](#) [110-PM-OFF/TABS-XLW1](#) [316-B-PP-XJD1](#) [160H-](#)
[P-XTR1](#) [110-P-XRW1](#) [110-PM-ON-OV/TABS/2 HEX](#) [111-PM-OFF-XTB1](#) [316-PP-XHN1](#) [111-16-P-XVK1](#)