

NOTES:

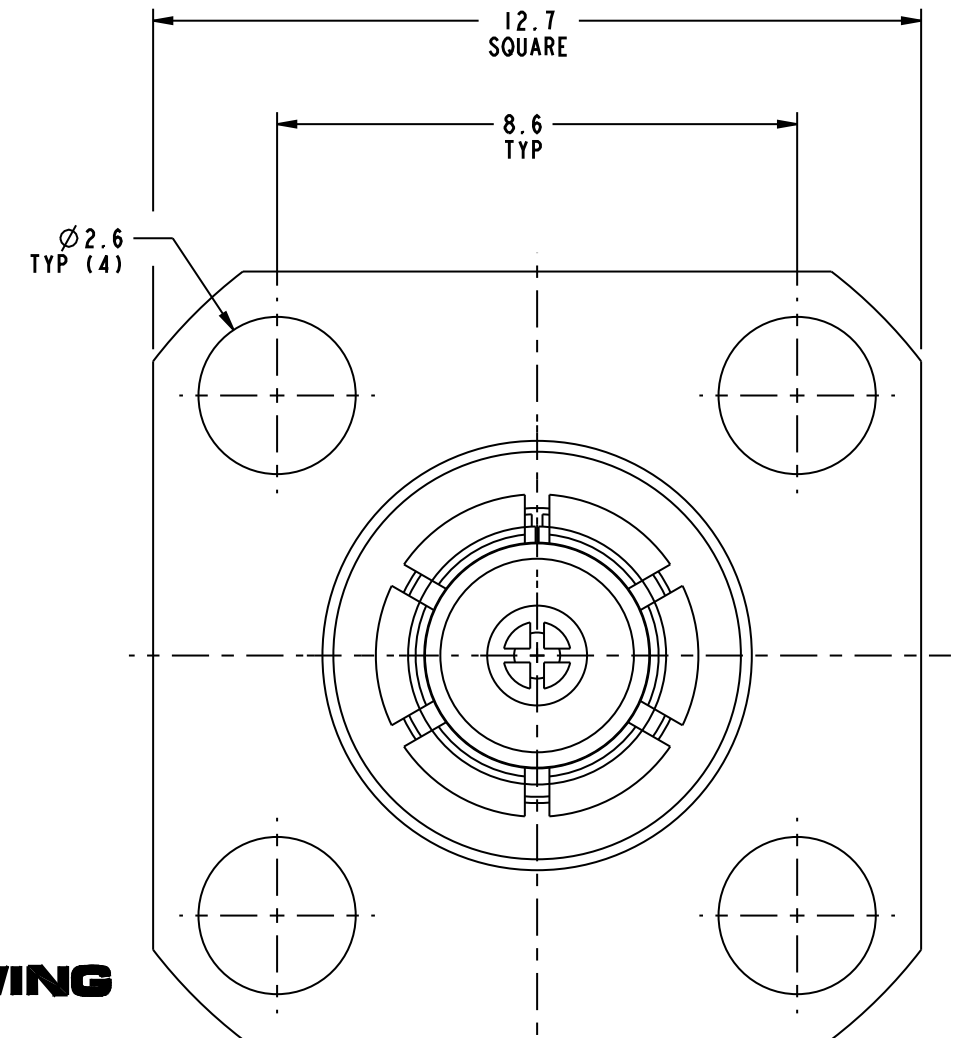
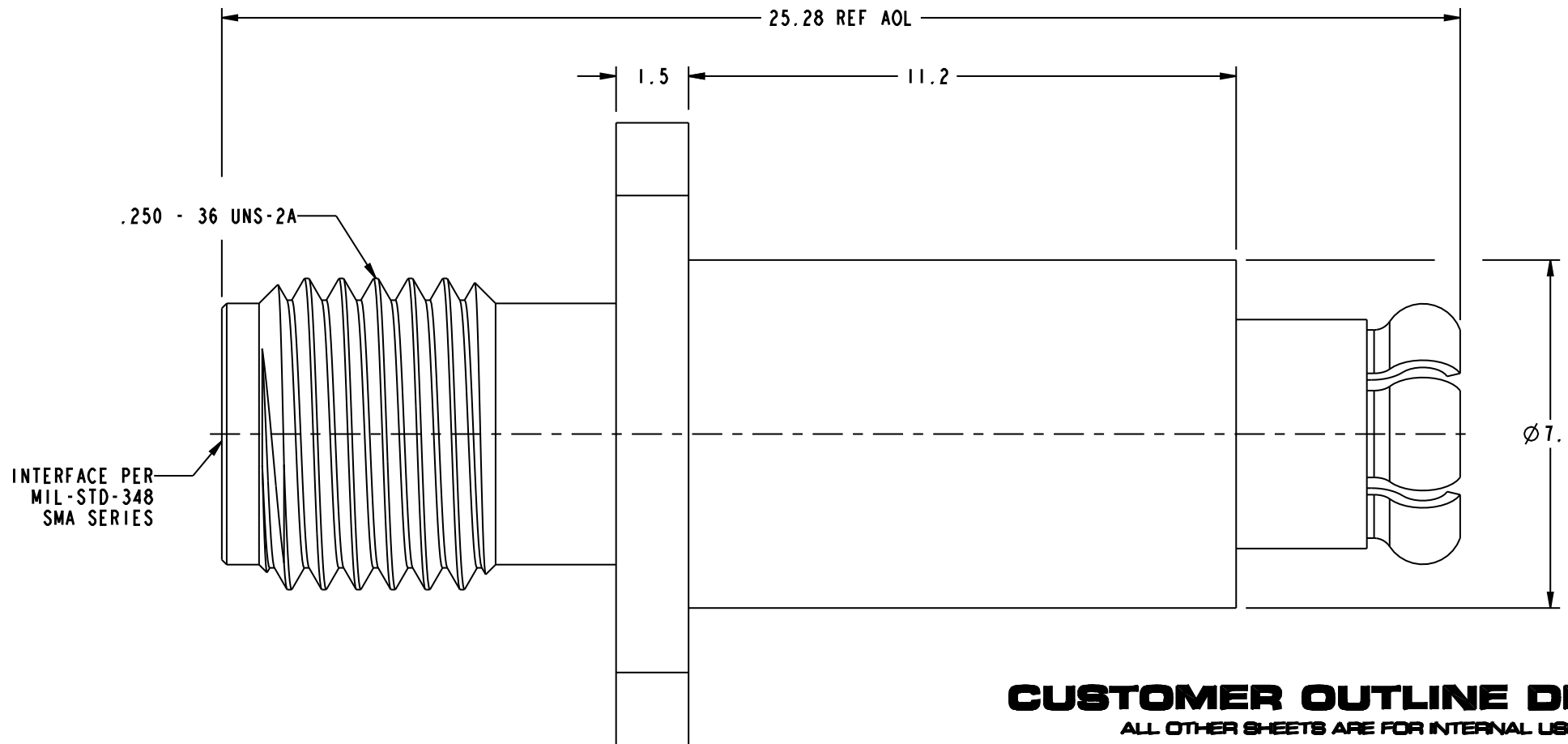
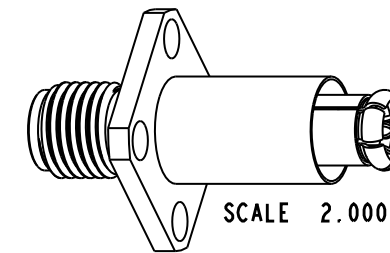
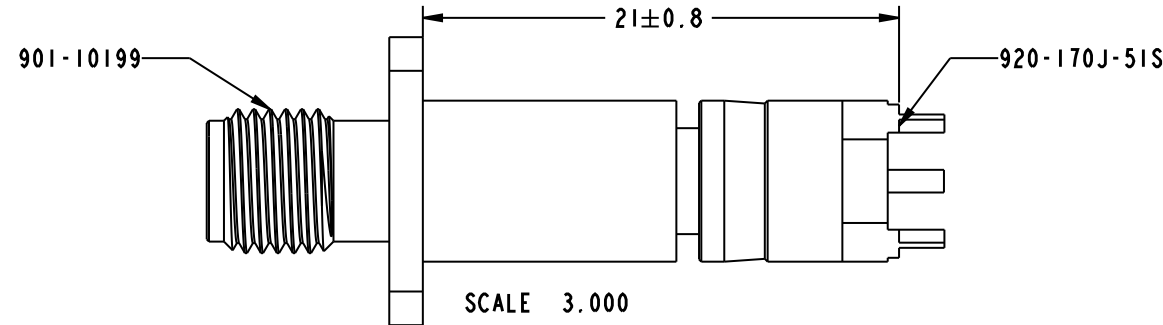
1. MATERIALS AND FINISHES:  
 BODY - BRASS, GOLD PLATING OVER WHITE BRONZE  
 CONTACT - BeCu, GOLD PLATING OVER WHITE BRONZE  
 INSULATOR - PTFE
2. ELECTRICAL:  
 A. IMPEDANCE : 50 OHM  
 B. FREQUENCY RANGE : DC - 3.0 GHz  
 C. VSWR : 1.12 MAX.
3. MECHANICAL:  
 A. DURABILITY: 500 CYCLES MIN.  
 B. TEMPERATURE RANGE: -40° C TO +85° C
4. PACKAGING:  
 A. QUANTITY: SINGLE PACK  
 B. MARKING: BAG TO BE MARKED  
 "AMPHENOL, 901-10199, AND DATE CODE"

THIRD ANGLE PROJ.

REVISIONS

REV	DESCRIPTION	DATE	ECO	APPR
A	RELEASE TO MFG.	01-Apr-06	47542	KJC
B	NOTES: 4B"920-10199" CHANGED TO "901-10199" \RD-DM09070901J1	15-Jul-09	47611	SH

**SHOWN MATED WITH 920-170J-518  
FOR PCB TESTING**



**CUSTOMER OUTLINE DRAWING**  
ALL OTHER SHEETS ARE FOR INTERNAL USE ONLY

UNLESS OTHERWISE SPECIFIED, DIMENSIONS ARE IN METRIC AND TOLERANCES ARE:  
 0.5 - 6mm ±0.1mm    6 - 30mm ±0.2mm    30 - 120mm ±0.3mm    ANGLES ±1°

NOTICE - These drawings, specifications, or other data (1) are, and remain the property of Amphenol corp. (2) must be returned upon request; and (3) are confidential and not to be disclosed to any person other than those to whom they are given by Amphenol Corp. the furnishing of these drawings, specifications, or other data by Amphenol Corp., or to any other person to anyone for any purpose is not to be regarded by implication or otherwise in any manner licensing, granting rights to permitting such holder or any other sperson to manufacture, use or sell any product, process or design, patented or otherwise, that may in any way be related to or disclosed by said drawings, specifications, or other data.

MATERIAL	DRAWN J. CHENG	DATE 16-Jul-09	TITLE SMA (F) TO AFI (M) ADAPTER		Amphenol RF Danbury CT USA, Tainan, Taiwan, Shenzhen, China www.amphenolrf.com	
REFERENCE E-AFI AND	ENGINEER K. CAPOZZI	DATE 13-Dec-05	APPROVED S. HSIEH		DRAWING NO. 901-10199	
CONFIGURATION LEVEL: Release	DATE 16-Jul-09	CAD FILE I:\AFI\901-10199	SCALE: 8.0:1.0	SHEET 2 OF 2	ITEM NO. 901-10199	PART NO. 901-10199
FINISH			DWG SIZE B	CODE ID 74868	REV B	

# Mouser Electronics

Authorized Distributor

Click to View Pricing, Inventory, Delivery & Lifecycle Information:

[Amphenol:](#)

[901-10199](#)