

THIS DRAWING IS UNPUBLISHED.

RELEASED FOR PUBLICATION JUNE ,2006.

© COPYRIGHT 2006 By --

ALL RIGHTS RESERVED.

LOC	DIST	REVISIONS					
E	B	P	LTR	DESCRIPTION	DATE	DWN	APVD
		C		ECR-14-016163	30OCT2014	RZ	MY

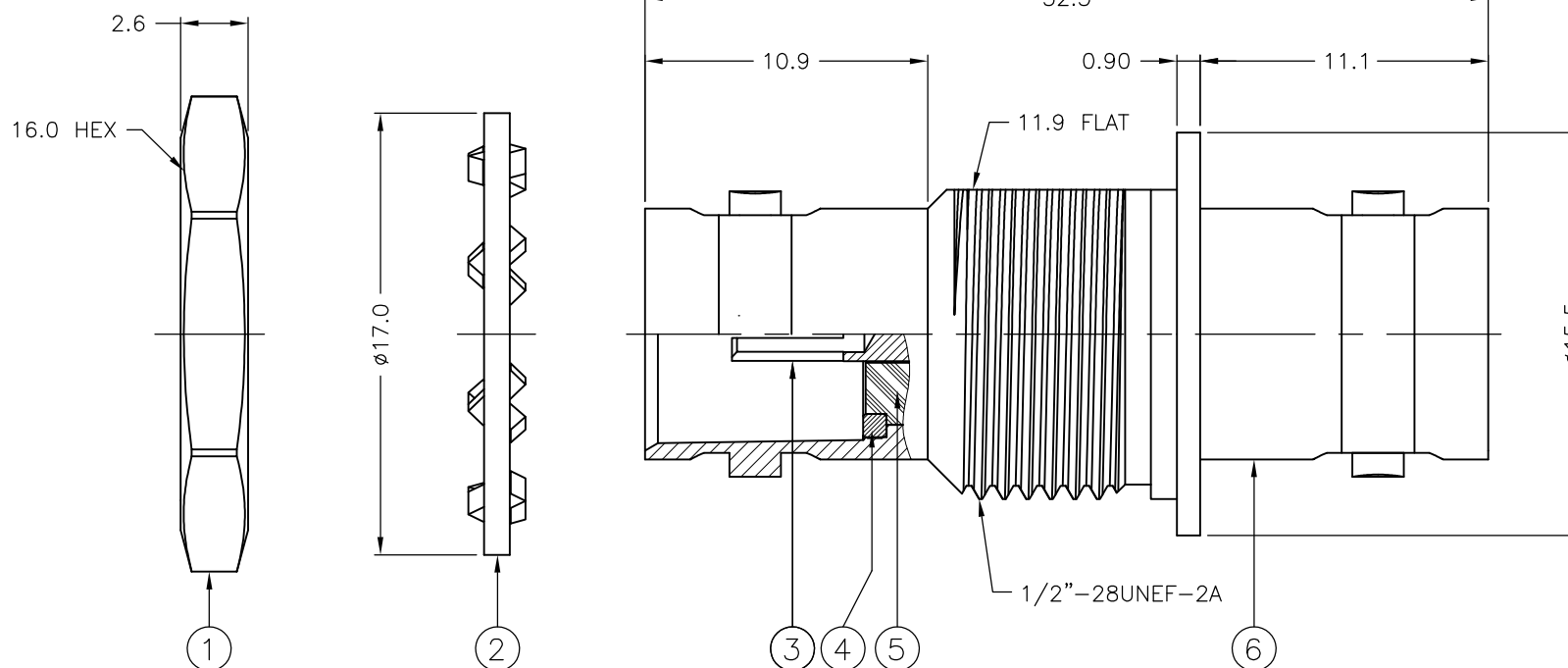
NOTES:

- 1 SINGLE PACKING: ONE CONNECTOR PER LABELED BAG PACKAGED. LABELED PER TEC-107-115
- 2 TRAY PACKAGED
- 3 Ag PLATING
- 4 ELECTRICAL CHARACTERISTICS

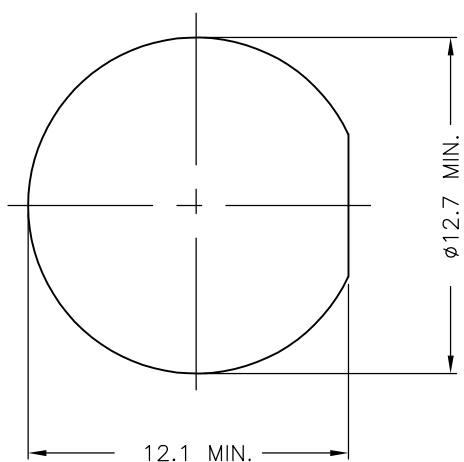
FREQUENCY RANGE:	DC - 2 GHz
NOMINAL IMPEDANCE:	75 Ohm
INSULATION RESISTANCE:	5000 MOhm
WORKING VOLTAGE:	500 Volts RMS at Sea Level
DIELECTRIC WITHSTAND VOLTAGE:	1500 Volts RMS Max
CONTACT RESISTANCE:	
CENTER CONTACT:	1.50 mOhm Max
OUTER CONTACT:	1.00 mOhm Max
VSWR @ xGHz:	N/A
INSERTION LOSS xdb:	N/A
- 5 MECHANICAL CHARACTERISTICS

MOUNT NUT RECOMMENDED TORQUE:	4 Nm
DURABILITY:	500 Cycles Min
- 6 ENVIRONMENTAL CHARACTERISTICS

OPERATING TEMPERATURE:	-40 to +85 DegC
------------------------	-----------------
- 7 FOR TECHNICAL DATA REFER TO YOUR LOCAL TE CONNECTIVITY SALES OFFICE
- 8 ALL DIMENSIONS ARE NOMINAL FOR REFERENCE ONLY UNLESS OTHERWISE STATED



RECOMMENDED PANEL LAYOUT



QTY	ASSEMBLY	MATERIAL	DESCRIPTION	ITEM
1	1	BRASS	BODY	6
2	2	PTFE	INSULATOR	5
1	1	BRASS	WASHER	4
1	1	PHOSPHOR BRONZE	CONTACT	3
1	1	PHOSPHOR BRONZE	LOCKWASHER	2
1	1	BRASS	MOUNT NUT	1
6--0	1--0	MATERIAL	DESCRIPTION	ITEM
QUANTITY PER ASSY		PARTS LIST		

THIS DRAWING IS A CONTROLLED DOCUMENT.		DWN	J.SANDWELL	13JUN06	STE TE Connectivity											
DIMENSIONS: mm		CHK	S.PARLOW	13JUN06												
TOLERANCES UNLESS OTHERWISE SPECIFIED:		APVD	F.WHEELER-KING	13JUN06												
<table border="0"> <tr><td>0 PLC</td><td>± -</td></tr> <tr><td>1 PLC</td><td>± 0.2</td></tr> <tr><td>2 PLC</td><td>± 0.1</td></tr> <tr><td>3 PLC</td><td>± -</td></tr> <tr><td>4 PLC</td><td>± -</td></tr> <tr><td>ANGLES</td><td>± -</td></tr> </table>		0 PLC	± -	1 PLC		± 0.2	2 PLC	± 0.1	3 PLC	± -	4 PLC	± -	ANGLES	± -	NAME	
0 PLC	± -															
1 PLC	± 0.2															
2 PLC	± 0.1															
3 PLC	± -															
4 PLC	± -															
ANGLES	± -															
MATERIAL	SEE TABLE	FINISH	-	PRODUCT SPEC	-											
APPLICATION SPEC		SIZE		CAGE CODE	DRAWING NO	RESTRICTED TO										
CUSTOMER DRAWING		A3		00779	C-1478045	-										
SCALE		NTS		SHEET	1 OF 1	REV										
						C										

Mouser Electronics

Authorized Distributor

Click to View Pricing, Inventory, Delivery & Lifecycle Information:

[TE Connectivity:](#)

[1-1478045-0](#)