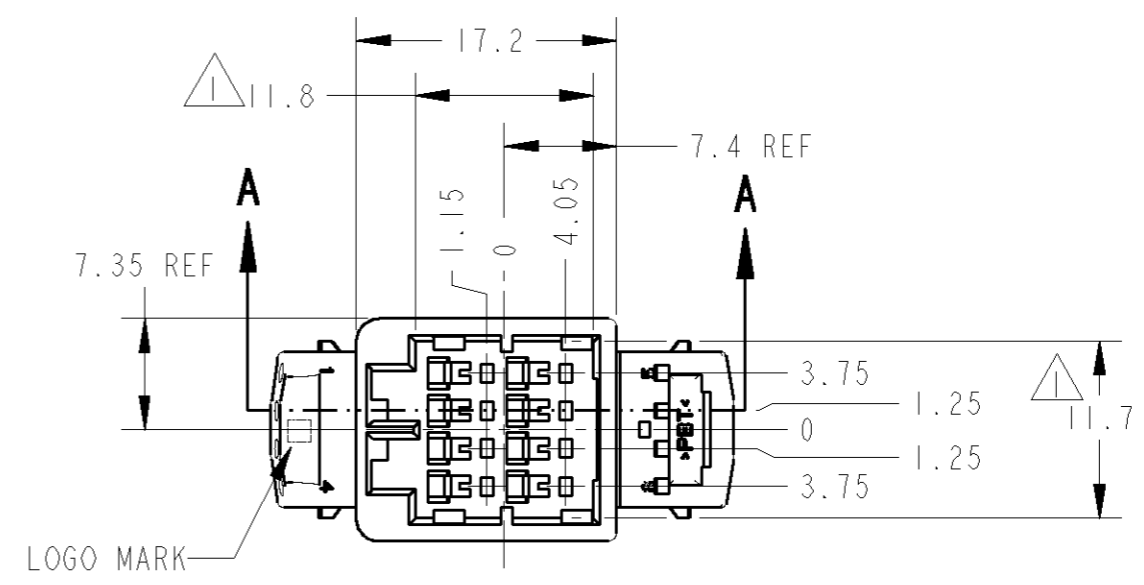
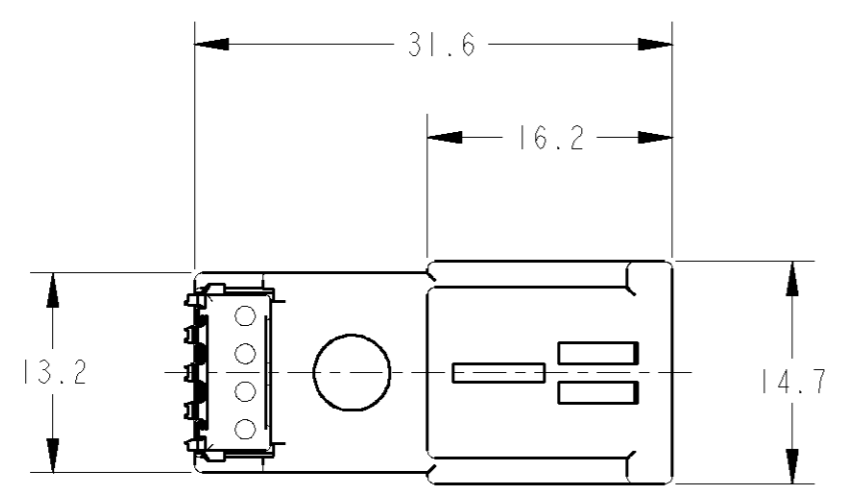
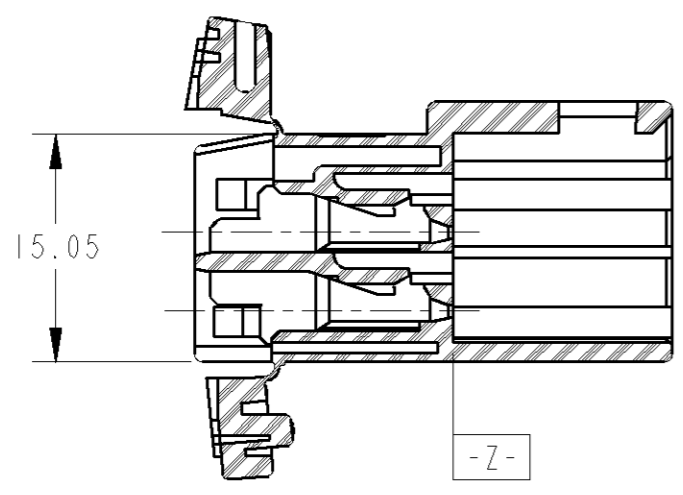


THIS DRAWING IS UNPUBLISHED. RELEASED FOR PUBLICATION 20
 © COPYRIGHT 20 BY TYCO ELECTRONICS CORPORATION. ALL RIGHTS RESERVED.

LOC	DIST	REVISIONS						
		P	LTR	DESCRIPTION	ECN	DATE	DWN	APVD
J	X		A	RELEASED		24AUG06	S.S	Y.F
			B	REVISED ECR-10-007504		04JUN10	SF	KB



- △ MUST BE KEPT BETWEEN -Z- AND 2mm
 - 2 MATING WITH PLUG HOUSING SMOOTHLY
PLUG HOUSING PART NUMBER : 175964
 - 3 APPLICABLE CONTACT PART NUMBER : 173682
-
- △ -Z- 面から2mmの範囲で測定
 - 2 相手ハウジングと支障なく嵌合できること
嵌合相手型番 : 175964
 - 3 適用端子型番 : 173682



A - A

THIS DRAWING IS A CONTROLLED DOCUMENT FOR TYCO ELECTRONICS CORPORATION
 IT IS SUBJECT TO CHANGE AND THE CONTROLLING ENGINEERING ORGANIZATION
 SHOULD BE CONTACTED FOR THE LATEST REVISION.

DIMENSIONS: 単位: 概 mm		TOLERANCES UNLESS OTHERWISE SPECIFIED: 一般公差 = ± 0.5	
		0 PLC ±	1 PLC ±0.5
		2 PLC ±0.13	3 PLC ±0.013
		4 PLC ±0.000J	ANGLES ±1.00'
		FINISH 仕上 見 TABLE	
MATERIAL 材料 PBT			

DWN	24AUG06
S. SAKAGUCHI	
CHK	24AUG06
Y. NOGUCHI	
APVD	24AUG06
Y. FUJIWARA	
PRODUCT SPEC	108-5471
APPLICATION SPEC	114-5108
WEIGHT	4.5g
CUSTOMER DRAWING	

Tyco Electronics Corporation Kawasaki, Japan		BLACK	1939592-1
		COLOR	PART NUMBER
NAME 名称 CAP HOUSING 8POSITION (WIRE TO WIRE) 040 SERIES MULTI-LOCK I/O CONNECTOR MK-II			
SIZE	CAGE CODE	DRAWING NO	RESTRICTED TO
A3	00779	©=1939592	
SCALE 尺度 2:1		SHEET	OF
		1	1
		REV	B

Mouser Electronics

Authorized Distributor

Click to View Pricing, Inventory, Delivery & Lifecycle Information:

[TE Connectivity:](#)

[1939592-1](#)