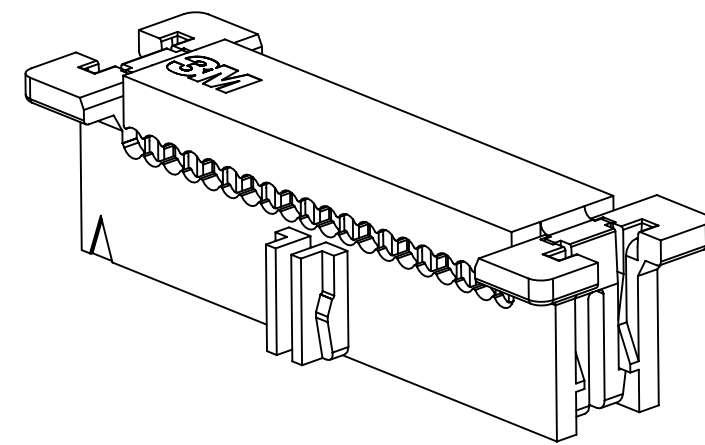
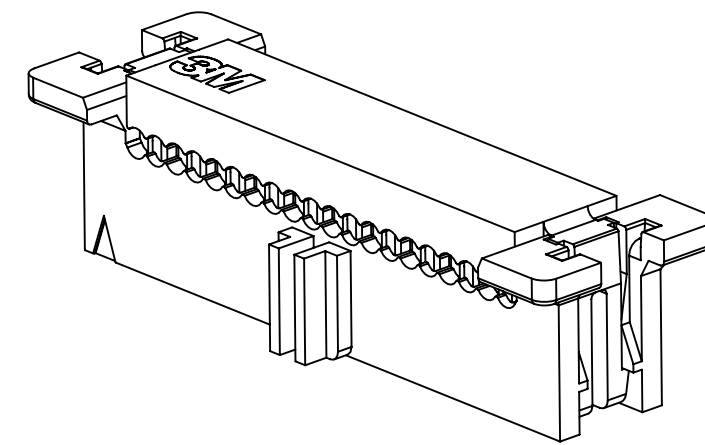


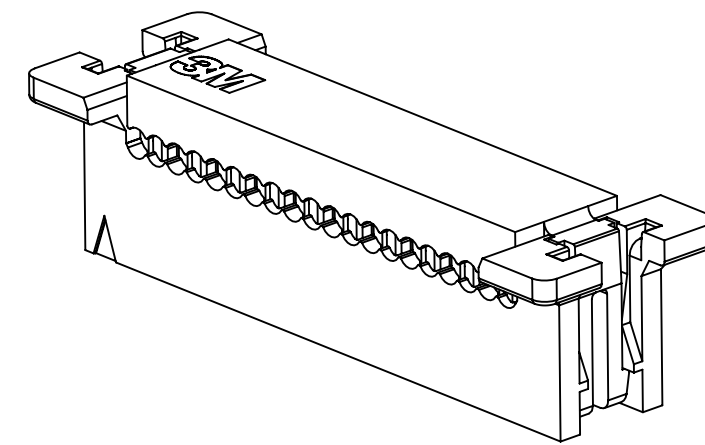
3M™ RIBBON CABLE WIREMOUNT SOCKET ASSEMBLY,
1.27mm (0.050") PITCH, 451 SERIES



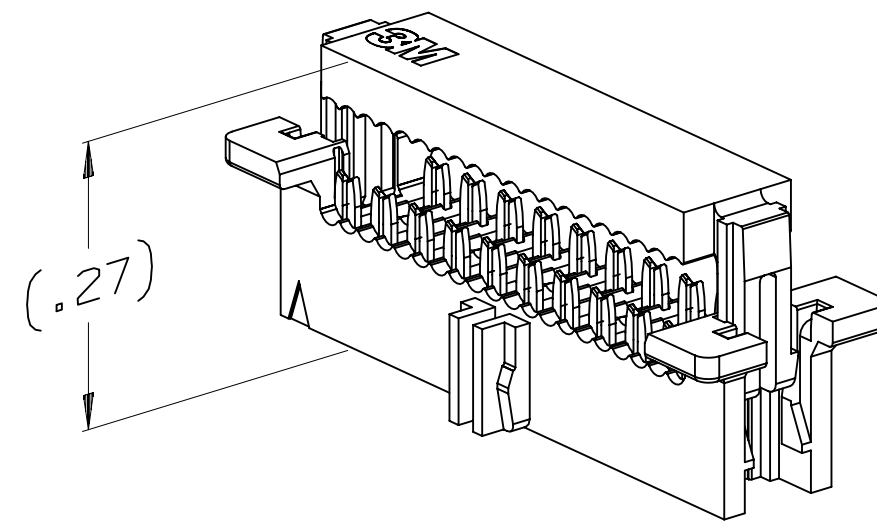
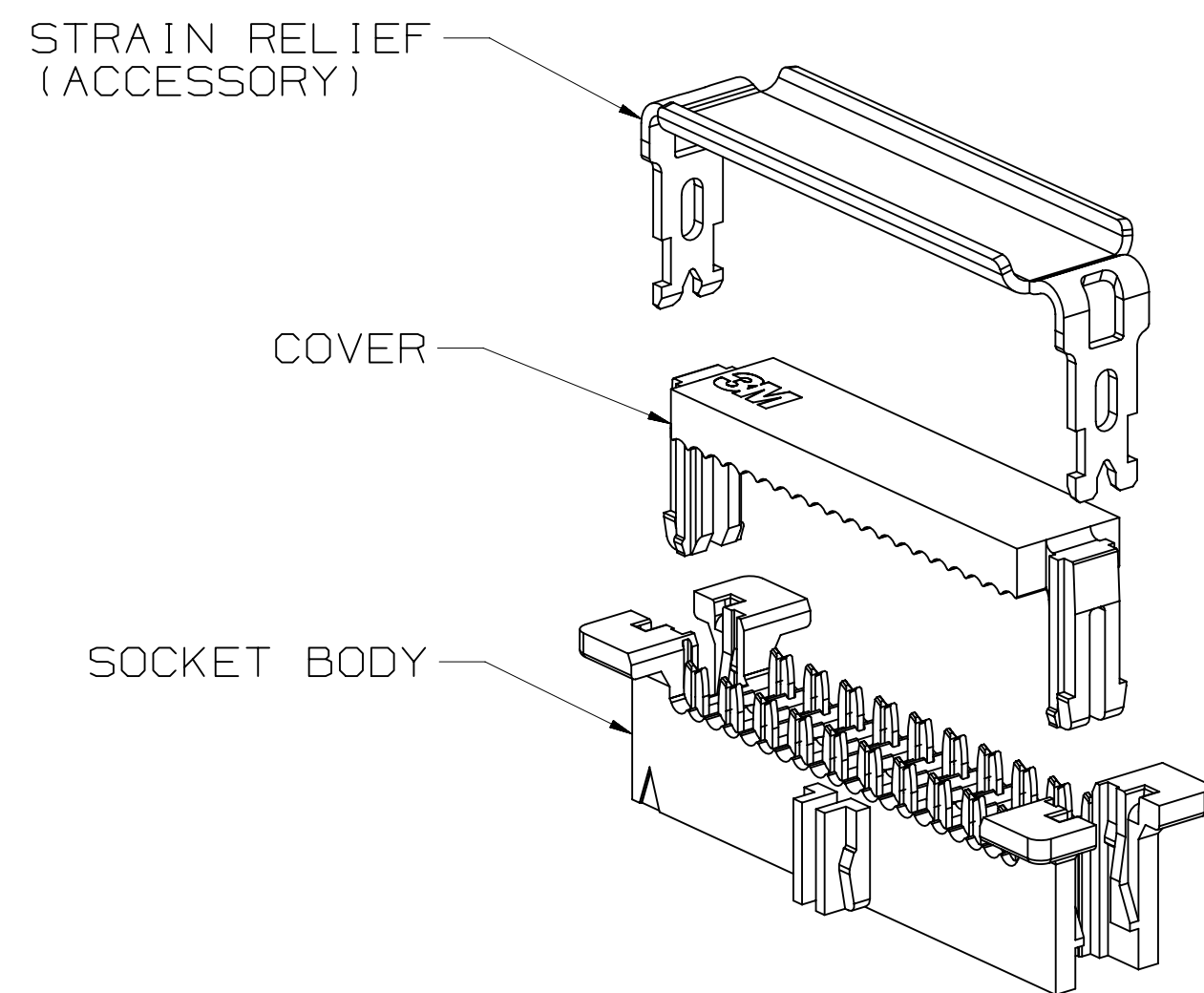
CENTER POLARIZATION
AND FRICTION LATCH



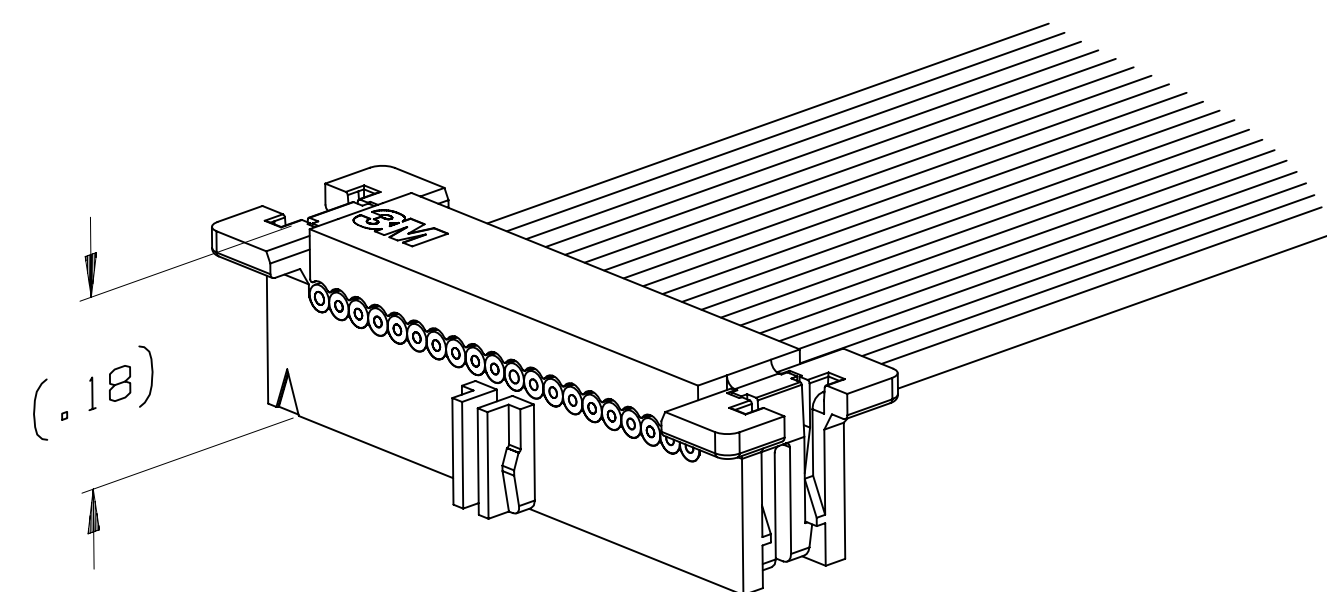
CENTER POLARIZATION
AND NO FRICTION LATCH



NO CENTER POLARIZATION
AND NO FRICTION LATCH

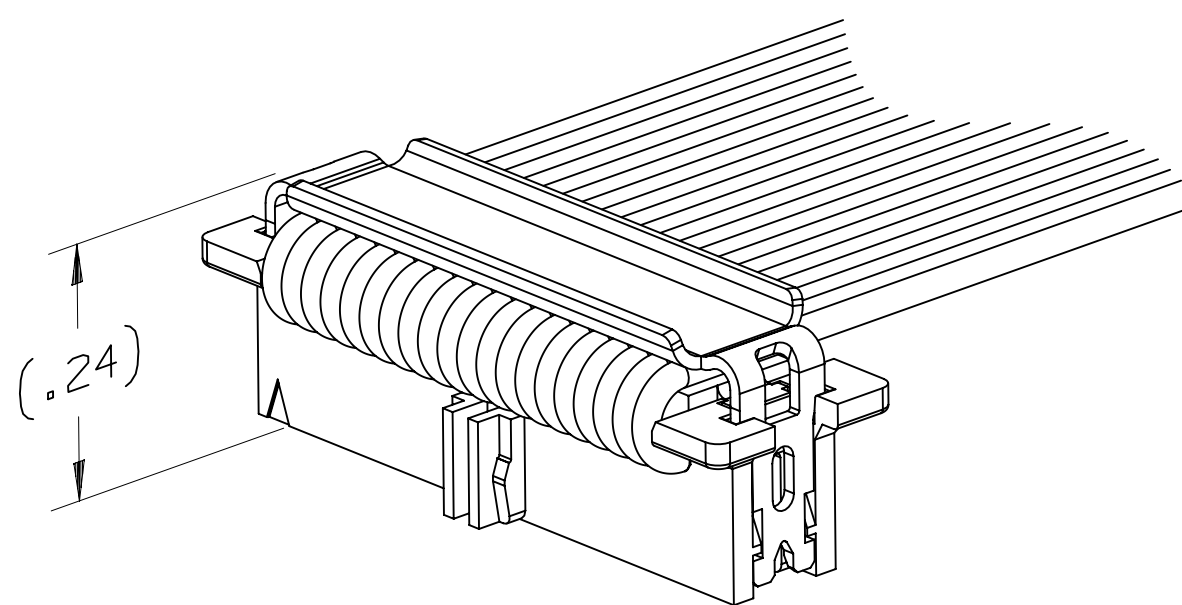


PRE-POSITIONED COVER



NO STRAIN RELIEF

TERMINATED
CONNECTOR



WITH OPTIONAL
STRAIN RELIEF

PERFORMANCE:	
CURRENT RATING:	1.0 A, ALL LINES ENERGIZED, 30°C TEMP RISE PER EIA 364-70 1.5 A, 6 LINES ENERGIZED, 30°C TEMP RISE PER EIA 364-70 2.5 A, 1 LINE ENERGIZED, 30°C TEMP RISE PER EIA 364-70 1.0 A, UL & CUL NOT FOR CURRENT INTERRUPTION
UL & CUL VOLTAGE RATING:	125V _{ac}
INSULATION RESISTANCE:	> 1 × 10 ⁹ Ohms AT 500 VDC
WITHSTANDING VOLTAGE:	1250VACrms AT SEA LEVEL
OPERATING TEMPERATURE:	-65°C to +125°C
UL & CUL OPERATING TEMPERATURE:	+125°C

- NOTES
- MATERIAL:
BODY: PBT, UL94V-0
COVER: PBT, UL94V-0
STRAIN RELIEF: STAINLESS STEEL
CONTACTS: BeCu ALLOY.
 - PLATING:
50-150μ" NICKEL UNDERPLATE
30 = 30μ" MIN. GOLD ON WIPING AREA
00 = FLASH GOLD ON WIPING AREA.
 - RIBBON CABLE COMPATIBILITY:
GENERAL:
0.025" PITCH PVC, 30 AWG,
SOLID OR 7 STRAND.
RECOMMENDED:
3M 3447 AND 3754 SERIES
CABLE.
 - MATING COMPATIBILITY:
3M 1.27mm (0.050"),
SERIES 452 HEADER WITH
LATCH/EJECT OPTION.
TECH SHEET 2437
 - REGULATORY INFORMATION:
ROHS COMPLIANT. SEE THE
REGULATORY INFORMATION
APPENDIX (RIA) IN THE
"ROHS COMPLIANCE" SECTION
OF WWW.3MCONNECTORS.COM
FOR COMPLIANCE INFORMATION
(RIA E1 & C1 APPLY)
 - IN THE EVENT OF CONFLICT
BETWEEN THIS DATA AND THAT
CONTAINED IN THE PRODUCT
SPECIFICATION, THE PRODUCT
SPECIFICATION TAKES PRECEDENT.
 - REFERENCE RELATED DOCUMENTS:
PRODUCT SPECIFICATION:
3M DOC. ID# 78-5102-0091-4.
 - TOOLING AND INSTALLATION
INSTRUCTIONS:
3M DOC. ID# 78-9101-8937-8.
 - OTHER PIN COUNTS AVAILABLE
UPON REQUEST. CONTACT 3M.
 - PACKAGING:
SOCKET: TRAY
COVER: BAG

ORDERING INFORMATION
FOR RAPID INSTALLATION ON
RIBBON CABLE APPLICATIONS

451 XX - 0 X 0 0 XX

SERIES: 451
POSITION COUNT: XX (04 - 30 SEE TABLE 1)
PLATING: 00 = AU FLASH, 30 = 30μ" GOLD
OPTIONAL FEATURES: 0 = NONE SPECIFIED
PACKAGING: 0 = STANDARD (TRAYS)

CENTER POLARIZATION / FRICTION LATCH
0 = NO CENTER POLARIZATION (CP) (04-30 POS.)
1 = CP NO FRICTION LATCH (08 - 30 POS.)
2 = CP WITH FRICTION LATCH (08 - 30 POS.)

NOTE:
FRICTION LATCH (OPTION 2) IS NOT SUITABLE
FOR HEADER WITH LATCH EJECT OPTION

ACCESSORY: STRAIN RELIEF
3448-451XX

POSITION COUNT
04 - 30

APPLICATION TOOLING:
ALUMINUM: 3443-82-XX

POSITION COUNT
04 - 30

REV	ECO	ISSUE DATE AND DESCRIPTION	DRFT	CHKD
F	56988	SEP 24, 2014 REVISE PERFORMANCE CHART	JNC	SN
E	54514	MAY 07, 2014 ADD UL LOGO	SJS	SAN
D	51884	JAN 08, 2014 ADD DESIGN REF. UPDATE TITLE, ADD TS REF	SJS	SAN
C	50290	OCT 08, 2013 REVISE NOTES 1, 3, 8 & OPERATING TEMP.	JNC	SN
B	48635	JUL 12, 2013 MATCH TEXT FONTS & ADD NOTE 10	JNC	SN
A	46797	MAR 25, 2013 PRODUCTION RELEASE	JNC	SAN

3M ELECTRONIC MATERIALS SOLUTIONS DIVISION
INTERCONNECT SOLUTIONS
<http://www.3mconnectors.com>

3M IS A TRADEMARK OF 3M COMPANY.
FOR TECHNICAL, SALES OR ORDERING
INFORMATION CALL 800-225-5373

us
UL FILE NO: E68080

78-5100-2396-9
78-5100-2437-1

DESIGN REFERENCE	NEXT ASSEMBLY	REV	ECO	ISSUE DATE AND DESCRIPTION	DRFT	CHKD
		ARM	FEB 11, 2011			

DIVISION: Interconnect Solutions
SCALE: 6/1
TOLERANCES EXCEPT AS NOTED:
INCHES: .0 ± .1, .00 ± .02, .000 ± .010, .0000 ± .005
MILLIMETERS: 0 ± .1, .00 ± .005, .00 ± .0005
INTERPRET PER ASME Y14.5 - 2009
MAX SURFACE ROUGHNESS: 32 SURFACES, 400 ±
MARKED ONLY

3M Center St. Paul, MN 55144

© 3M COPYRIGHT 2014
This document and the information it contains are 3M property and may not be reproduced or further distributed without 3M permission, or used or disclosed other than for 3M authorized purposes. All rights reserved.

TITLE: RIBBON CABLE SOCKET, .05 X .05 PITCH, 451 SERIES

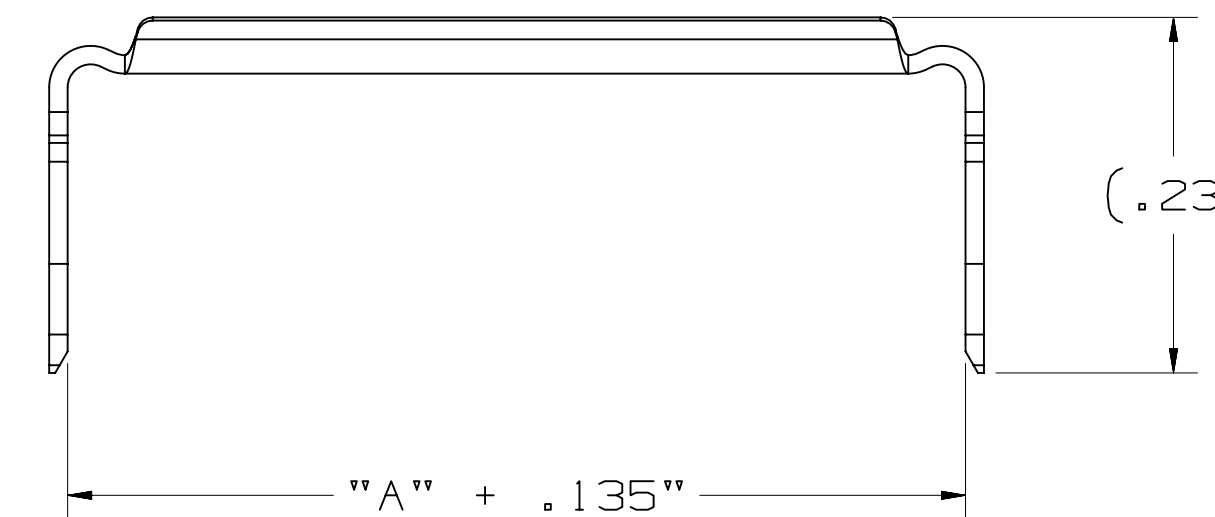
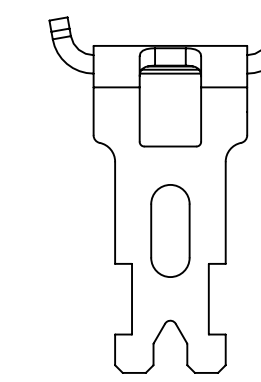
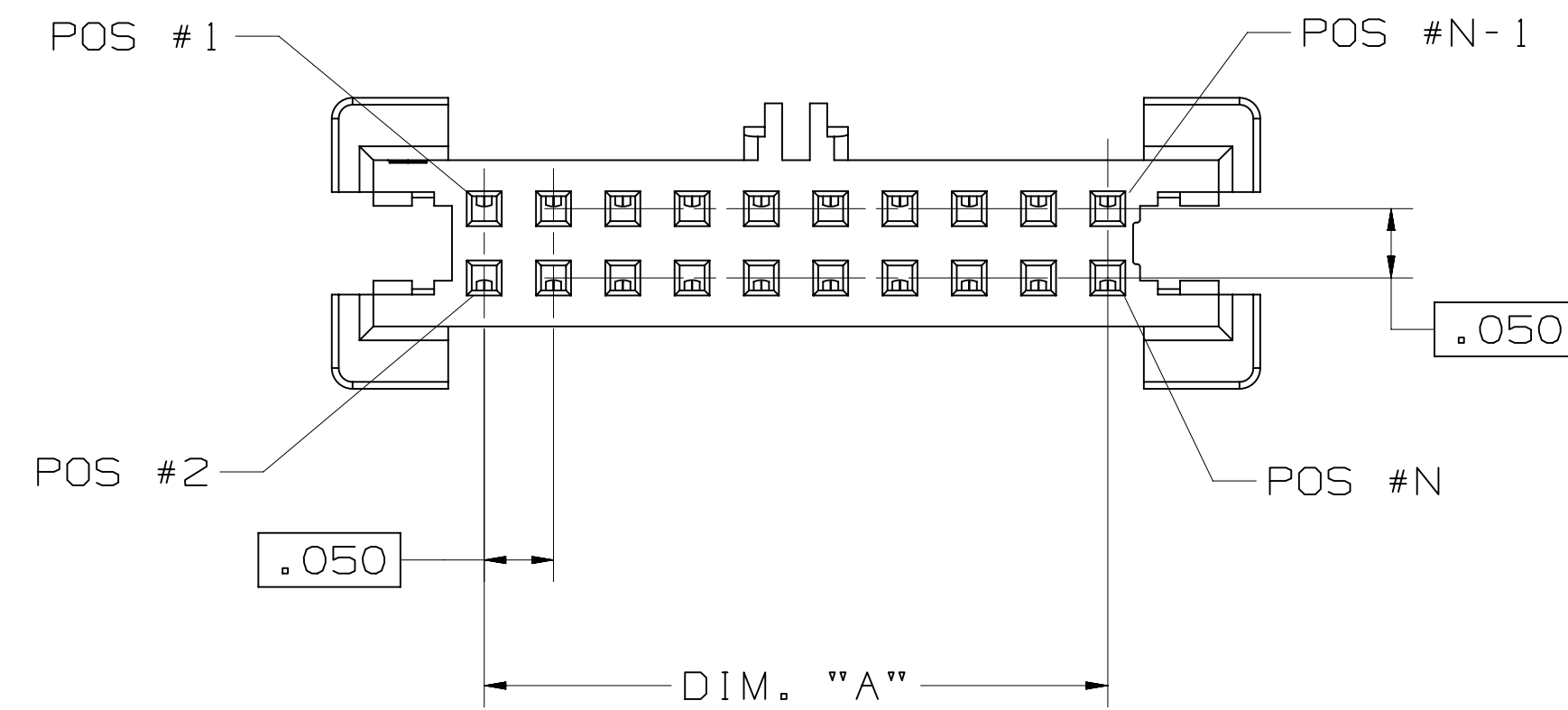
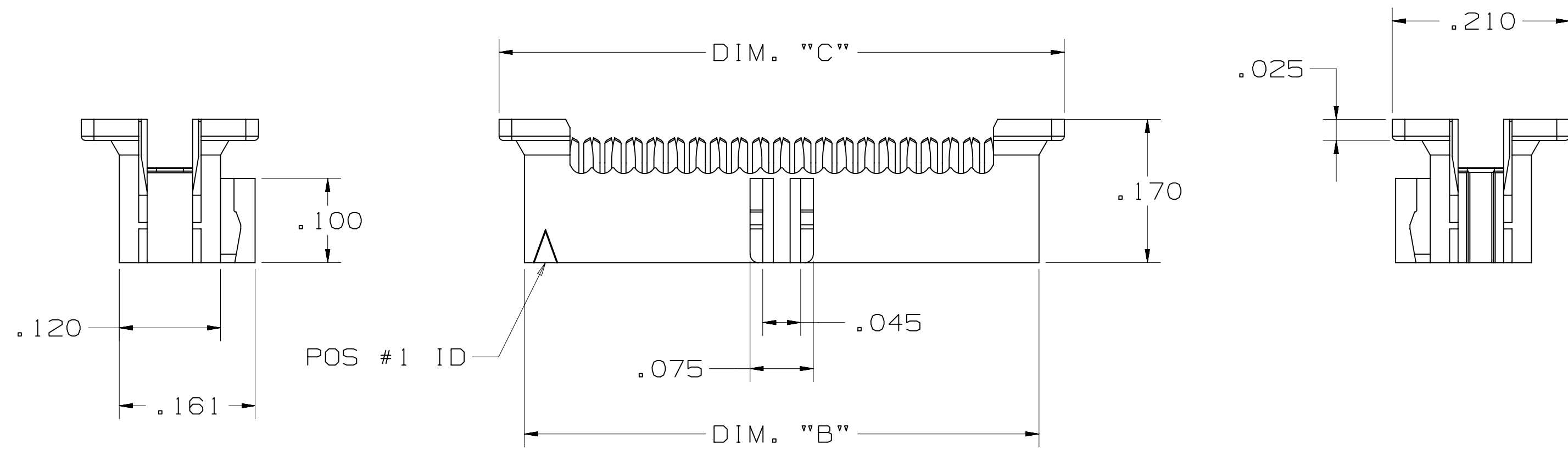
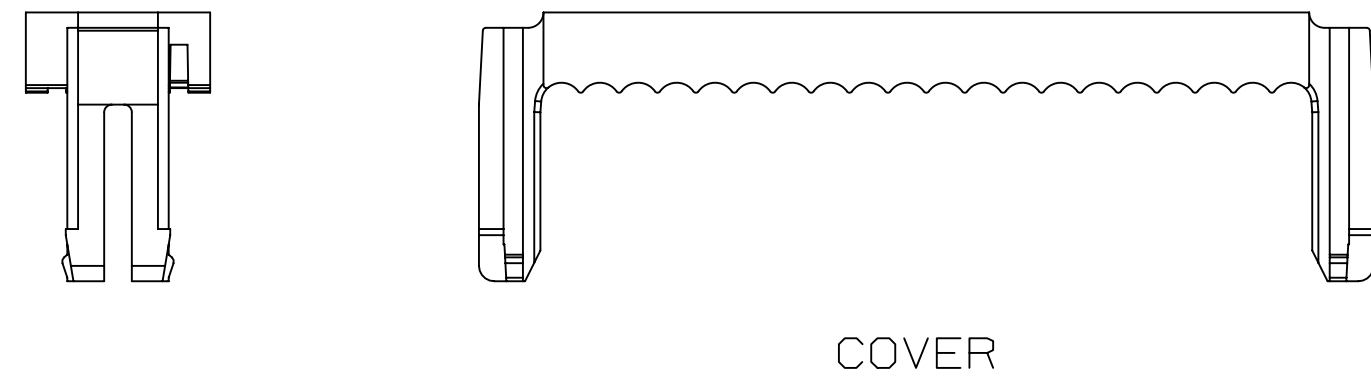
CAGE NUMBER: D78-5100-2436-3
REV. F

MODEL: 1 OF 2

3M™ RIBBON CABLE WIREMOUNT SOCKET ASSEMBLY,
1.27mm (0.050") PITCH, 451 SERIES

TABLE 1

No. Positions	Dim "A"	Dim "B"	Dim "C"
4	.050	.210	.270
6	.100	.260	.320
8	.150	.310	.370
10	.200	.360	.420
12	.250	.410	.470
14	.300	.460	.520
16	.350	.510	.570
20	.450	.610	.670
30	.700	.860	.920



ACCESSORY - STRAIN RELIEF
PART NUMBER 3448-451XX

REV	ECO	ISSUE DATE AND DESCRIPTION	DRFT	CHKD
F	56988	SEP 24, 2014 REVISE PERFORMANCE CHART	JNC	SN
E	54514	MAY 07, 2014 ADD UL LOGO	SJS	SAN
D	51884	JAN 08, 2014 ADD DESIGN REF, UPDATE TITLE, ADD TS REF	SJS	SAN
C	50290	OCT 08, 2013 REVISE NOTES 1, 3, 8 & OPERATING TEMP.	JNC	SN
B	48635	JUL 12, 2013 MATCH TEXT FONTS & ADD NOTE 10	JNC	SN
A	46797	MAR 25, 2013 PRODUCTION RELEASE	JNC	SAN

78-5100-2396-9
78-5100-2437-1

DESIGN REFERENCE: 78-5100-2396-9
NEXT ASSEMBLY: 78-5100-2437-1

DRFT	ARM	DATE	FEB 11, 2011	MFG	DATE
CHKD	SAN	DATE	FEB 11, 2011	APPRV	DATE

DIVISION: Interconnect Solutions
SCALE: 4/1
TOLERANCES EXCEPT AS NOTED:
INCHES: .0 ± .1, .00 ± .02, .000 ± .010, .0000 ± .005
MILLIMETERS: 0 ± .1, .0 ± .03, .00 ± .01, .00 ± .005

THIRD ANGLE PROJECTION
INTERPRET PER ASME Y14.5 - 2009
MAX SURFACE ROUGHNESS: 1.6 μm (RMS) SURFACES MARKED ONLY

© 3M COPYRIGT 2014
3M Center, St. Paul, MN 55144
This document and the information it contains are 3M property and may not be reproduced or further distributed without 3M permission, or used or disclosed other than for 3M authorized purposes. All rights reserved.

TITLE: RIBBON CABLE SOCKET, .05 X .05 PITCH, 451 SERIES

CAGE NUMBER	SIZE	DRAWING NO.	REV.
D		78-5100-2436-3	F

MODEL: SHT 2 OF 2

78-5100-2436-3
DRAWING NUMBER
F
REVISION
A
AM UTC-05:00
9:01
IMAGED: F.3 9/24/2014

Mouser Electronics

Authorized Distributor

Click to View Pricing, Inventory, Delivery & Lifecycle Information:

[3M:](#)

[45116-010000](#) [45108-000030](#) [45108-010000](#) [45108-020000](#) [45112-010030](#) [45112-020000](#) [45120-020030](#) [45130-020030](#) [45130-010000](#) [45130-020000](#) [45110-010000](#) [45114-010030](#) [45112-010000](#) [45114-010000](#) [45112-020030](#) [45114-020000](#) [45104-000000](#) [45120-010000](#) [45110-000000](#) [45120-020000](#) [45116-020030](#) [45130-000000](#) [45108-000000](#) [45112-000000](#) [45130-000030](#) [45108-010030](#) [45116-010030](#) [45120-010030](#) [45104-000030](#) [45106-000030](#) [45120-000000](#) [45116-020000](#) [45116-000000](#) [45114-000000](#) [45110-020030](#) [45106-000000](#) [45108-020030](#) [45114-020030](#) [45120-000030](#) [45116-000030](#) [45110-000030](#) [45110-010030](#) [45110-020000](#) [45130-010030](#) [45114-000030](#) [45112-000030](#)