

REVISIONS

P	LTR	DESCRIPTION	DATE	DWN	APVD
	B2	REVISED PER ECO-11-005150	29MAR2011	RK	HMR
	W	ECR-16-003733	12MAR2016	KR	TN

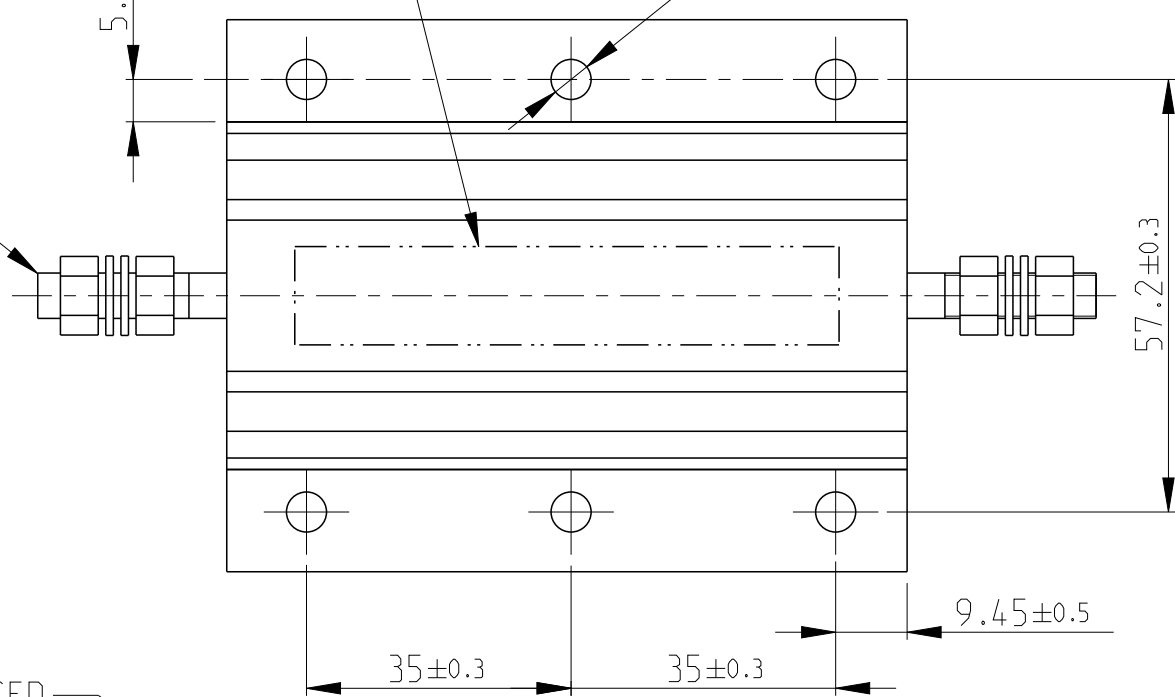
LASER MARKING: TE LOGO PN VALUE TOLERANCE & DATE CODE

M6 ST/STEEL TERMINAL STUDS. EACH SUPPLIED WITH:- 2 OFF M6 ST/STEEL FULL NUTS 2 OFF M6/STEEL PLAN WASHERS

5.6 MIN

6 HOLES Ø5.3

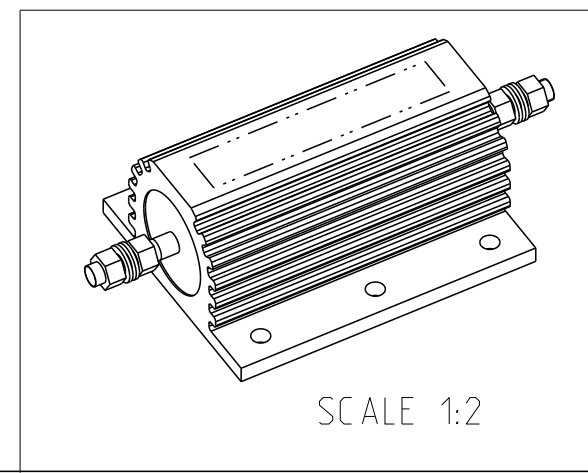
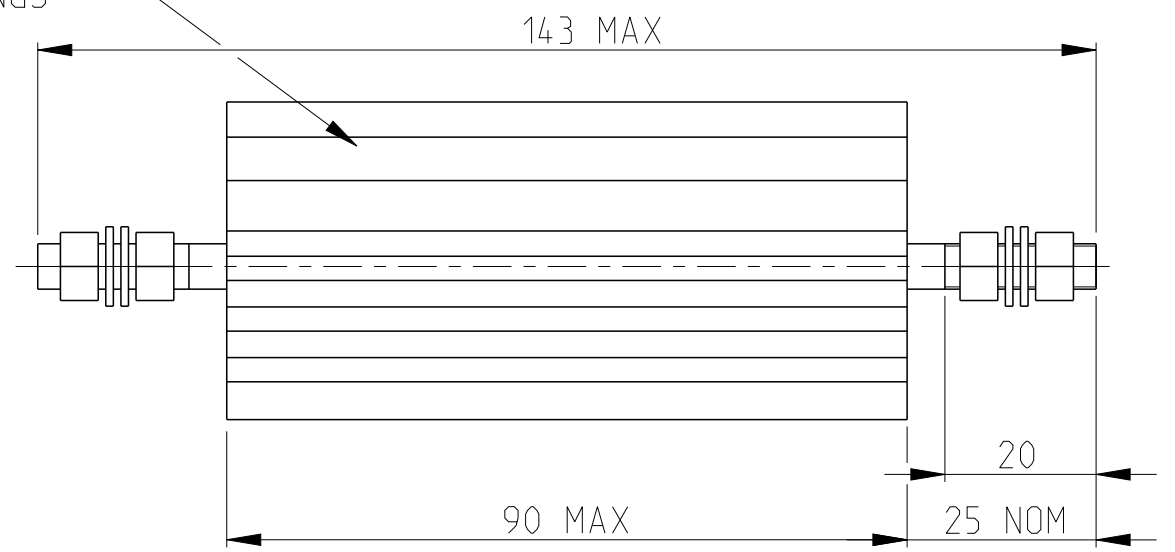
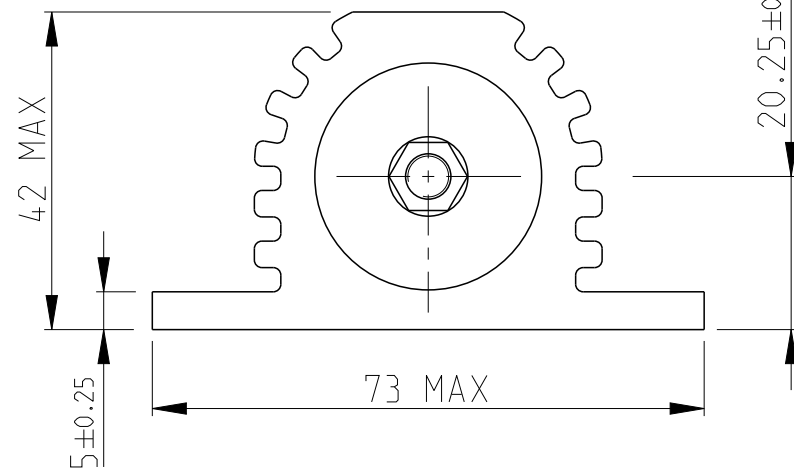
- 1 FOR FURTHER INFORMATION SEE DATA SHEET FOR HS SERIES-ALUMINIUM HOUSED RESISTORS
- 2 FOR A SPECIFIC PN FOR A RESISTANCE VALUE AND TOLERANCE, PLEASE REFER TO DMF



GOLD ANODISED ALUMINIUM HOUSINGS

HSC200 ALUMINIUM HOUSED POWER RESISTOR

RoHS Compliant



THIS DRAWING IS A CONTROLLED DOCUMENT.		DWN	L LUONG	10.MAR.03
DIMENSIONS: mm		CHK	J CATCHPOLE	10.MAR.03
TOLERANCES UNLESS OTHERWISE SPECIFIED:		APVD	J CATCHPOLE	10.MAR.03
0 PLC	±0.5	PRODUCT SPEC		
1 PLC	±0.2	APPLICATION SPEC		
2 PLC	±0.1	WEIGHT		
3 PLC	±	CUSTOMER DRAWING		
4 PLC	±	SCALE 1:1		
ANGLES	±5°	SHEET 1 OF 1		
MATERIAL	material_2	REV W		
FINISH	finish_spec_2			

**STE** TE Connectivity

NAME: HSC200 ALUMINIUM HOUSED POWER RESISTOR

SIZE: A3 CAGE CODE: 00779 DRAWING NO: C-1630019 RESTRICTED TO: -

# Mouser Electronics

Authorized Distributor

Click to View Pricing, Inventory, Delivery & Lifecycle Information:

[TE Connectivity:](#)

[HSC200150RJ](#)