

THIS DRAWING IS UNPUBLISHED.

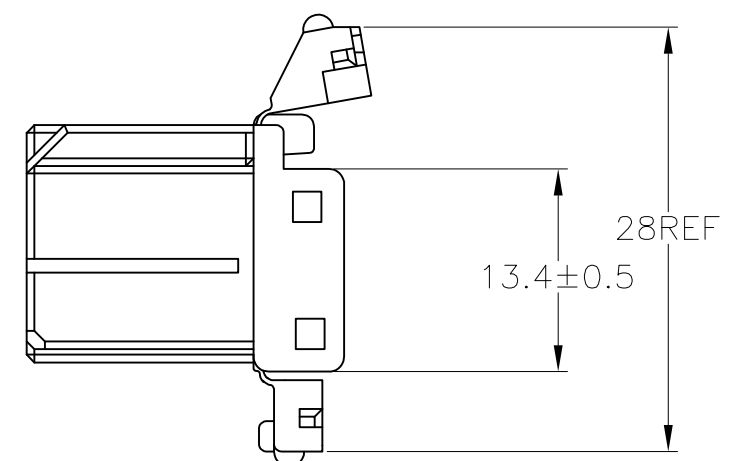
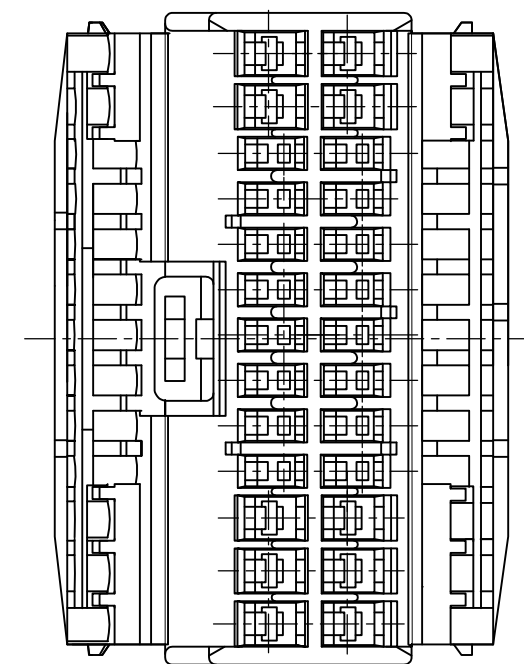
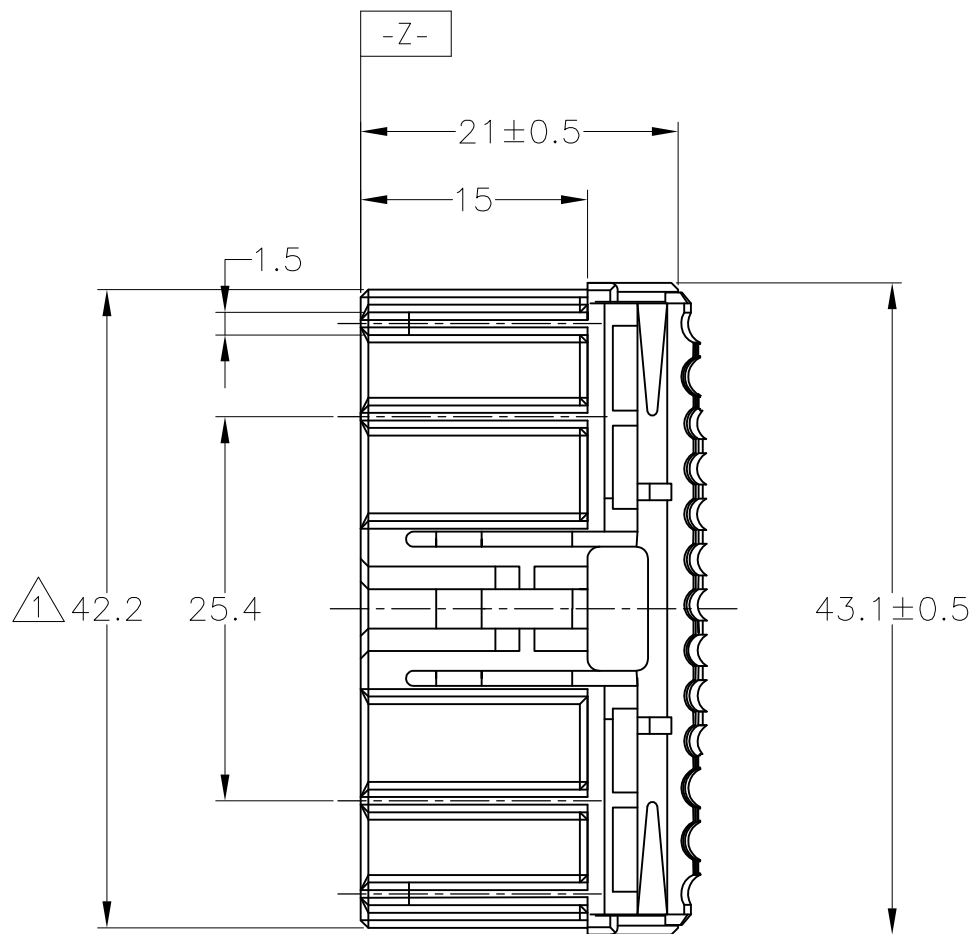
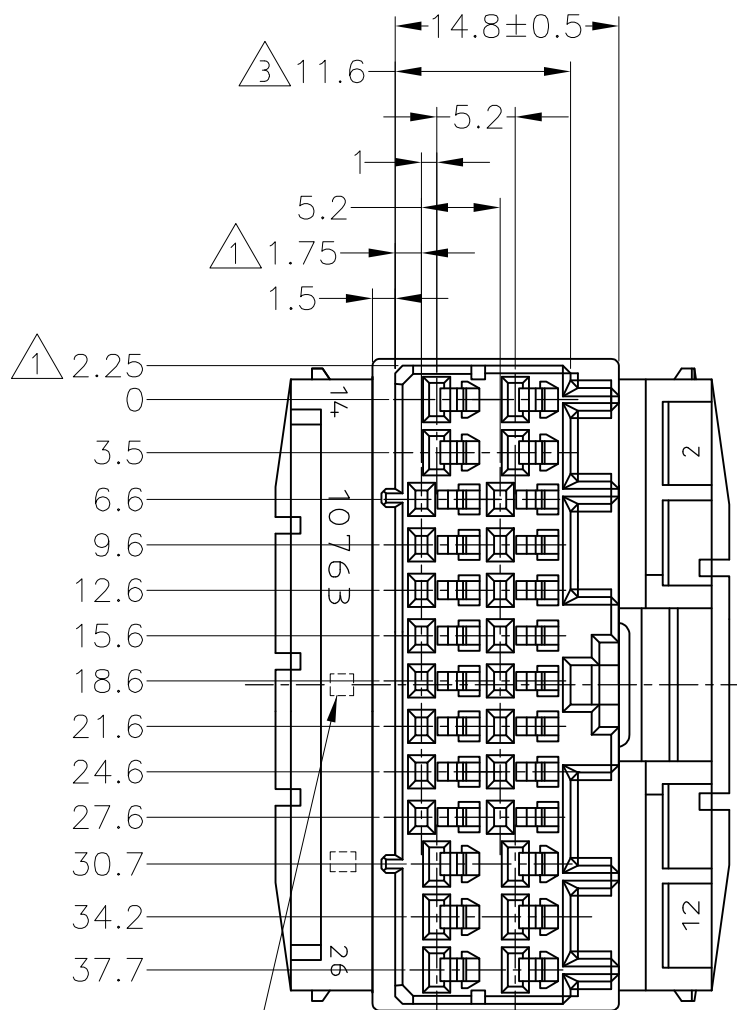
RELEASED FOR PUBLICATION

-. -. .

© COPYRIGHT - By -

ALL RIGHTS RESERVED.

| LOC | DIST | REVISIONS | | | | | |
|-----|------|-----------|-----|---------------------------|---------|-----|------|
| J | - | P | LTR | DESCRIPTION | DATE | DWN | APVD |
| | | E3 | | REVISED PER ECO-11-005140 | 28MAR11 | RK | HMR |



1. MUST BE KEPT BETWEEN **-Z-** AND 2mm.
 2. THE MATING CAP HOUSING PART NUMBER ; 174518
 3. APPLIED CONTACT PART NUMBER ; 173631, 173716, 173630, 175094
 4. APPLICABLE PRODUCT SPECIFICATION NUMBER ; 108-5280

1. **-Z-** 面より 2mm の範囲で測定
 2. 嵌合相手ハウジング型番 ; 174518
 3. 内装するリセプタクルコンタクト型番 ; 173631, 173716, 173630, 175094
 4. 適用製品規格番号 ; 108-5280

| | | |
|----------|------------|-------------|
| | YELLOW | 174516-7 |
| OBSOLETE | LIGHT GRAY | 6-174516-6 |
| | GRAY | 174516-6 |
| | BLACK | 174516-2 |
| | WHITE | 174516-1 |
| | COLOR | PART NUMBER |

| GENERAL TOLERANCE | |
|-------------------|--------|
| 0 < * < 10 | ± 0.2 |
| 10 < * < 30 | ± 0.25 |
| 30 < * < 100 | ± 0.3 |
| ANGLES | ± 3° |

| | | | | | |
|--|--|-------------------------|--|----------------------------|-----------|
| THIS DRAWING IS A CONTROLLED DOCUMENT. | | DWN T.SHINOHARA 09JUL10 | | STE TE Connectivity | |
| DIMENSIONS: mm | | CHK K.BETSUI 09JUL10 | | | |
| TOLERANCES UNLESS OTHERWISE SPECIFIED: | | APVD K.BETSUI 09JUL10 | | NAME | |
| 0 PLC ± - | | PRODUCT SPEC | | HYBRID I/O CONNECTOR | |
| 1 PLC ± - | | SEE NOTE 4 | | 26 POSITION PLUG HOUSING | |
| 2 PLC ± - | | APPLICATION SPEC | | SIZE | CAGE CODE |
| 3 PLC ± - | | WEIGHT - | | A3 | 00779 |
| 4 PLC ± - | | CUSTOMER DRAWING | | DRAWING NO | C-174516 |
| ANGLES ± - | | SCALE 2:1 | | SHEET | 1 OF 1 |
| FINISH - | | RESTRICTED TO - | | REV | E3 |

Mouser Electronics

Authorized Distributor

Click to View Pricing, Inventory, Delivery & Lifecycle Information:

[TE Connectivity:](#)

[174516-1](#)