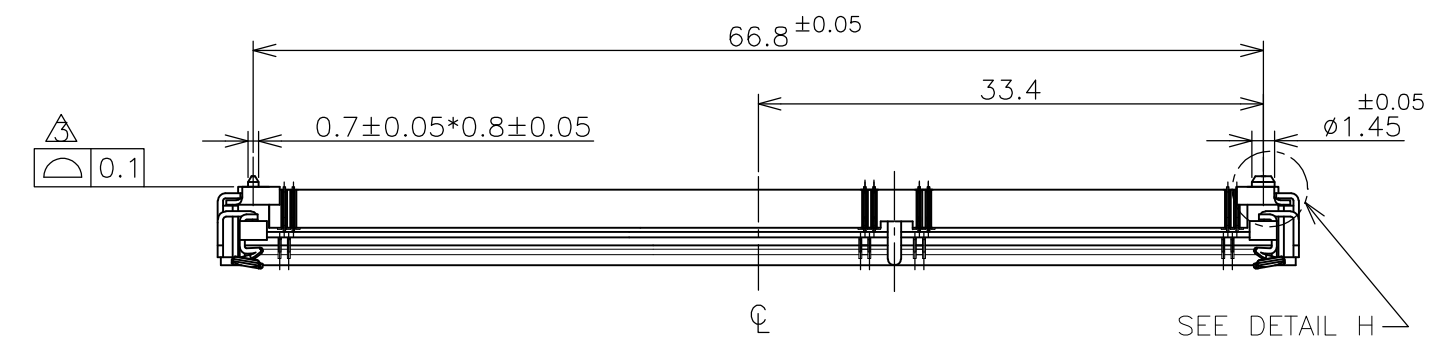
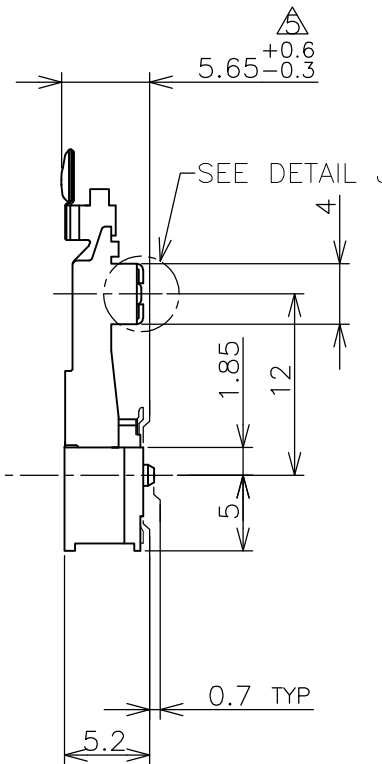
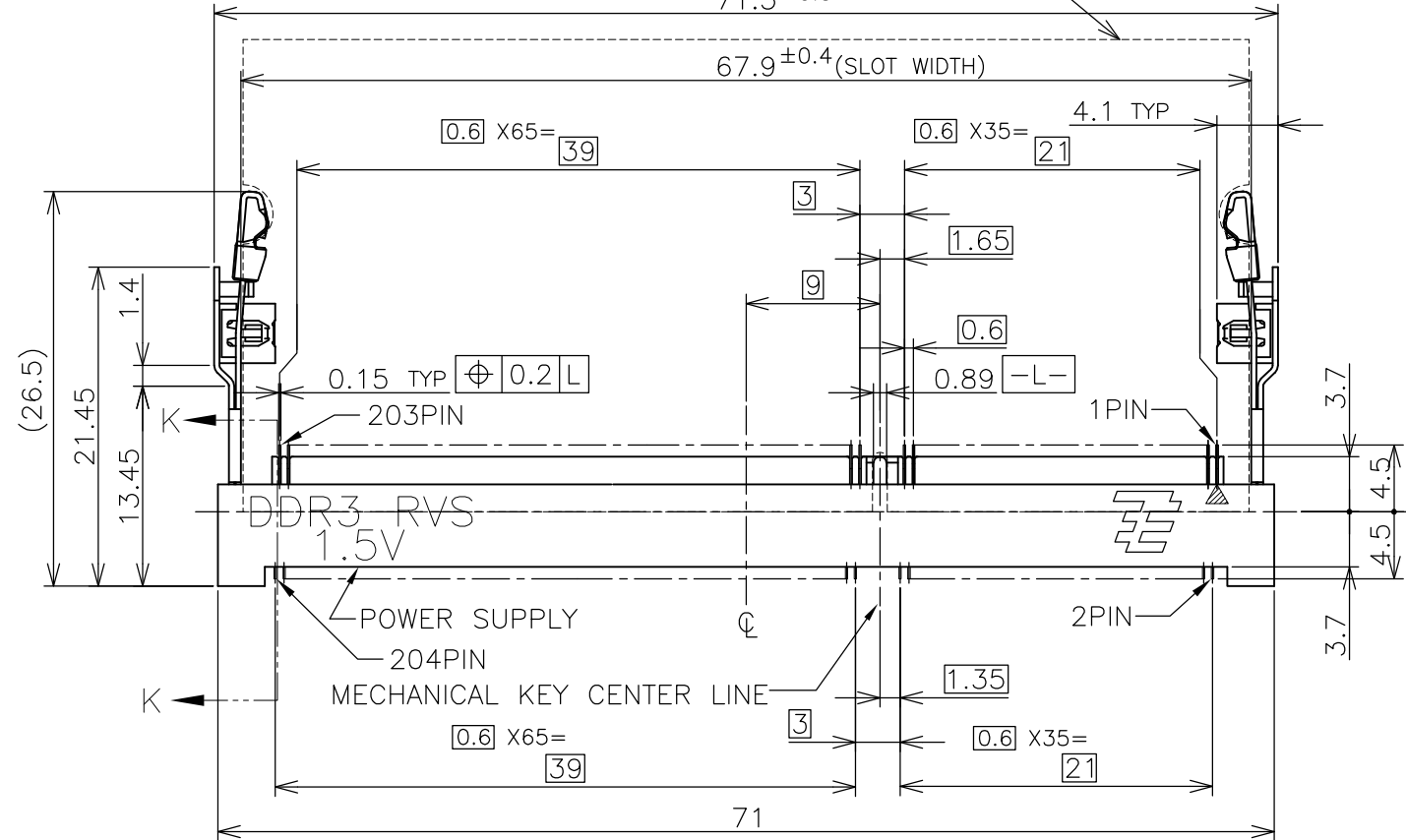


THIS DRAWING IS UNPUBLISHED. RELEASED FOR PUBLICATION SEP ,2007.  
 © COPYRIGHT 2007 By - ALL RIGHTS RESERVED.

| LOC | DIST | REVISIONS   |                           |           |         |
|-----|------|-------------|---------------------------|-----------|---------|
| P   | LTR  | DESCRIPTION | DATE                      | DWN       | APVD    |
| J   | /    | C1          | REVISED PER ECR-13-007359 | 02MAY2013 | W.W C.W |

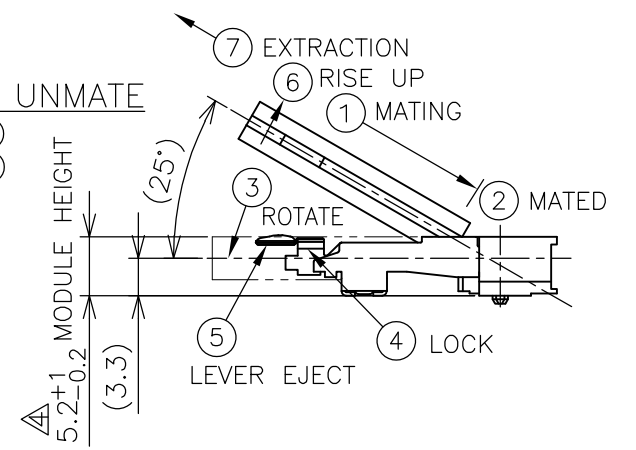


RECOMMENDED MATING P.C.B OUTLINE  
71.5±0.5



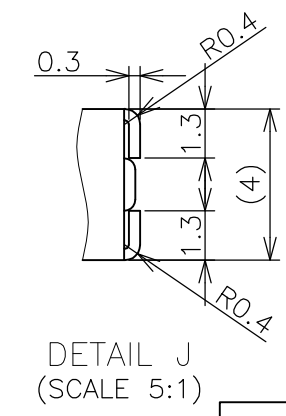
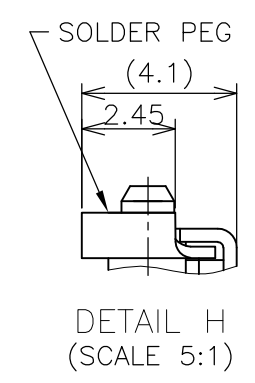
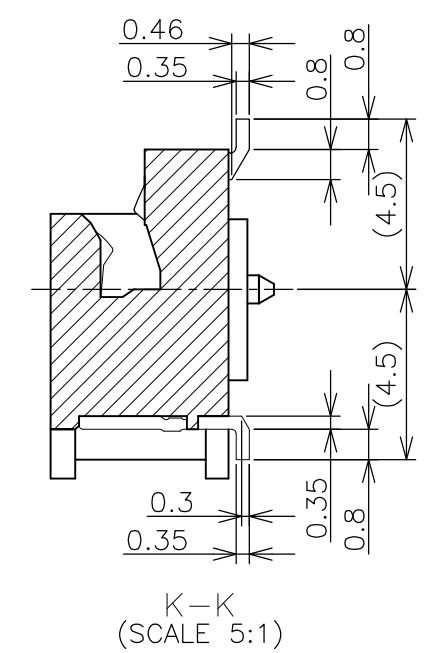
HOW TO MATE AND UNMATE

- MATE: ① → ④
- UNMATE: ⑤ → ⑦



(APPLIED TO SHEET 1-3)

1. MATERIAL ; HOUSING: HIGH TEMPERATURE THERMO PLASTIC UL94V-0  
 COLOR: SEE TABLE  
 CONTACT: COPPER ARROY  
 LOCK LEVER: STAINLESS STEEL  
 PEG: COPPER ARROY
  - 2-1. FINISH ; CONTACT AREA: GOLD FLASH  
 ALL OVER NICKEL.  
 SOLDERING AREA: GOLD FLASH PLATING  
 PEG: TIN PLATING
  - 2-2. FINISH ; CONTACT AREA: 0.000254MIN GOLD  
 ALL OVER NICKEL.  
 SOLDERING AREA: GOLD FLASH PLATING  
 PEG: TIN PLATING
  - 2-3. FINISH ; CONTACT AREA: 0.00076MIN GOLD  
 ALL OVER NICKEL.  
 SOLDERING AREA: GOLD FLASH PLATING  
 PEG: TIN PLATING
- △ COPLANARITY: 0.1 MAX. (BEFORE SOLDERING)  
 △ THE FLOATING VALUE BY SOLDERING IS NOT INCLUDED.  
 △ NOT MATING CONDITION.
6. IF THE MODULE DOESN'T INSERT AND LOCK IN THE LATCH SMOOTHLY,  
 OPEN WIDE BOTH LATCHES BY MANUAL. AND THE MODULE MUST BE  
 INSERTED AND LOCKED IN THE LATCH.
  7. LOW HALOGEN SPECIFICATION  
 CHLORINE(Cl): 900 ppm MAX.  
 BROMINE(Br): 900 ppm MAX.  
 CHLORINE(Cl) & BROMINE(Br): 1500 ppm MAX.



GENERAL TOLERANCE  
 10 ≥ : ±0.2  
 30 ≥ > 10 : ±0.25  
 100 ≥ > 30 : ±0.3  
 ANGLES : ±3°

|  |  |                  |              |  |   |
|--|--|------------------|--------------|--|---|
| THIS DRAWING IS A CONTROLLED DOCUMENT. |  | DWN              | 18SEP2007    |  | <b>STE</b> TE Connectivity  |
|  |  | CHK              | 18SEP2007    |  |   |
|  |  | APVD             | 18SEP2007    |  | NAME<br>DDR3 SODIMM SOCKET<br>0.6mm PITCH 204POS<br>5.2mm HEIGHT REVERSE TYPE |
|  |  | PRODUCT SPEC     | K.IKEGAMI    |  |   |
|  |  | APPLICATION SPEC | 108-78493    |  | SIZE<br>A300779   |
|  |  | WEIGHT           | 4.4g         |  |   |
|  |  | CUSTOMER DRAWING | SCALE 2:1    |  | DRAWING NO<br>C-2013290   |
|  |  |                  | SHEET 1 OF 6 |  |   |
|  |  |                  | REV C1       |  |   |

4

3

2

1

THIS DRAWING IS UNPUBLISHED.


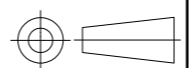
RELEASED FOR PUBLICATION SEP , 2007.

© COPYRIGHT 2007 By -

ALL RIGHTS RESERVED.

| LOC | DIST | REVISIONS |     |             |      |     |      |
|-----|------|-----------|-----|-------------|------|-----|------|
| J   | /    | P         | LTR | DESCRIPTION | DATE | DWN | APVD |
|     |      | -         |     | SEE SHEET 1 | -    | -   | -    |

|                |                              |           |               |          |              |     |             |
|----------------|------------------------------|-----------|---------------|----------|--------------|-----|-------------|
| AVAILABLE      | ENBOSS (SEE SHEET 6)         | WITH BOSS | BLACK         | NOTE 2-3 | 1.5V         | 204 | 2-2013290-3 |
| AVAILABLE      | ENBOSS (SEE SHEET 6)         | WITH BOSS | BLACK         | NOTE 2-2 | 1.5V         | 204 | 2-2013290-2 |
| AVAILABLE      | ENBOSS (SEE SHEET 6)         | WITH BOSS | BLACK         | NOTE 2-1 | 1.5V         | 204 | 2-2013290-1 |
| AVAILABLE      | SEMI-HARD TRAY (SEE SHEET 5) | WITH BOSS | BLACK         | NOTE 2-3 | 1.5V         | 204 | 2013290-3   |
| AVAILABLE      | SEMI-HARD TRAY (SEE SHEET 5) | WITH BOSS | BLACK         | NOTE 2-2 | 1.5V         | 204 | 2013290-2   |
| AVAILABLE      | SEMI-HARD TRAY (SEE SHEET 5) | WITH BOSS | BLACK         | NOTE 2-1 | 1.5V         | 204 | 2013290-1   |
| TOOLING STATUS | PACAGKING TYPE               | BOSS TYPE | HOUSING COLOR | FINISH   | POWER SUPPLY | POS | PART NO.    |

|   |  |                  |  |  |               |
|---|--|------------------|--|--|---------------|
| THIS DRAWING IS A CONTROLLED DOCUMENT.  |  | DWN              |  |  <b>TE Connectivity</b> |               |
| DIMENSIONS: MM  |  | CHK              |  |  |               |
|                      |  | APVD             |  |  |               |
| TOLERANCES UNLESS OTHERWISE SPECIFIED:<br>0 PLC ±<br>1 PLC ±<br>2 PLC ±<br>3 PLC ±<br>4 PLC ±<br>ANGLES ± |  | NAME             |  |  |               |
| MATERIAL  |  | FINISH           |  | DDR3 SODIMM SOCKET<br>0.6mm PITCH 204POS<br>5.2mm HEIGHT REVERSE TYPE  |               |
|   |  | WEIGHT           |  | SIZE   | RESTRICTED TO |
|   |  | CUSTOMER DRAWING |  | A3   | -             |
|   |  |                  |  | CAGE CODE  | REV           |
|   |  |                  |  | C-2013290  | C1            |
|   |  |                  |  | SCALE  | SHEET         |
|   |  |                  |  | 2:1  | 2 of 6        |

THIS DRAWING IS UNPUBLISHED.

RELEASED FOR PUBLICATION

SEP , 2007.

© COPYRIGHT 2007 By -

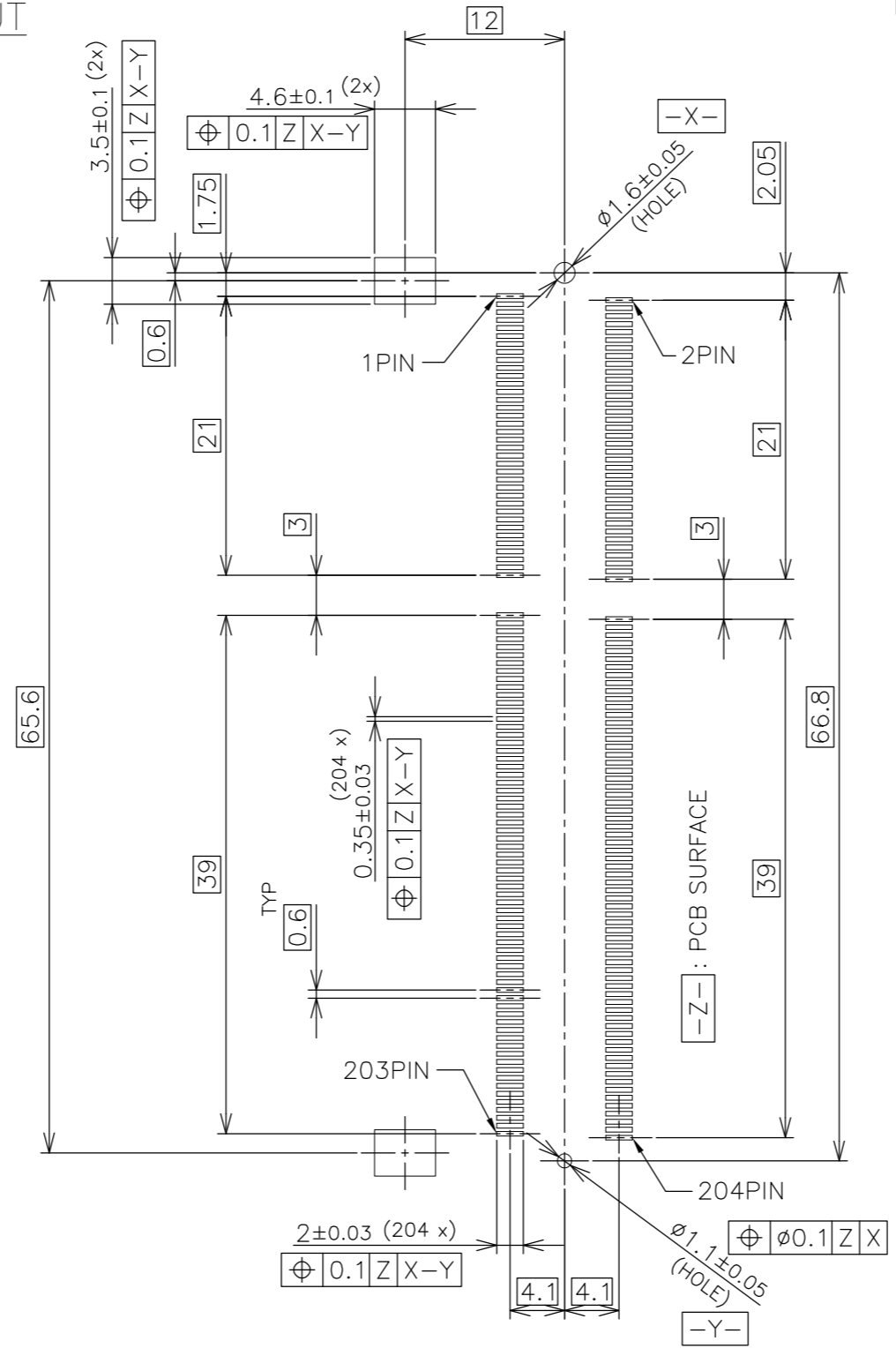
ALL RIGHTS RESERVED.

LOC J DIST

REVISIONS

| P | LTR | DESCRIPTION | DATE | DWN | APVD |
|---|-----|-------------|------|-----|------|
| - | -   | SEE SHEET 1 | -    | -   | -    |

# REFERENCE P.C.BOARD PATTERN LAYOUT (CONNECTOR MOUNTING SIDE)



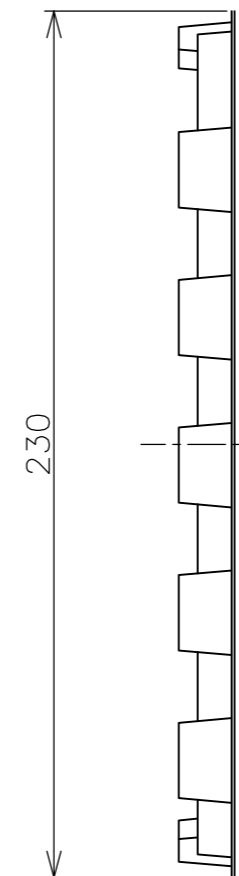
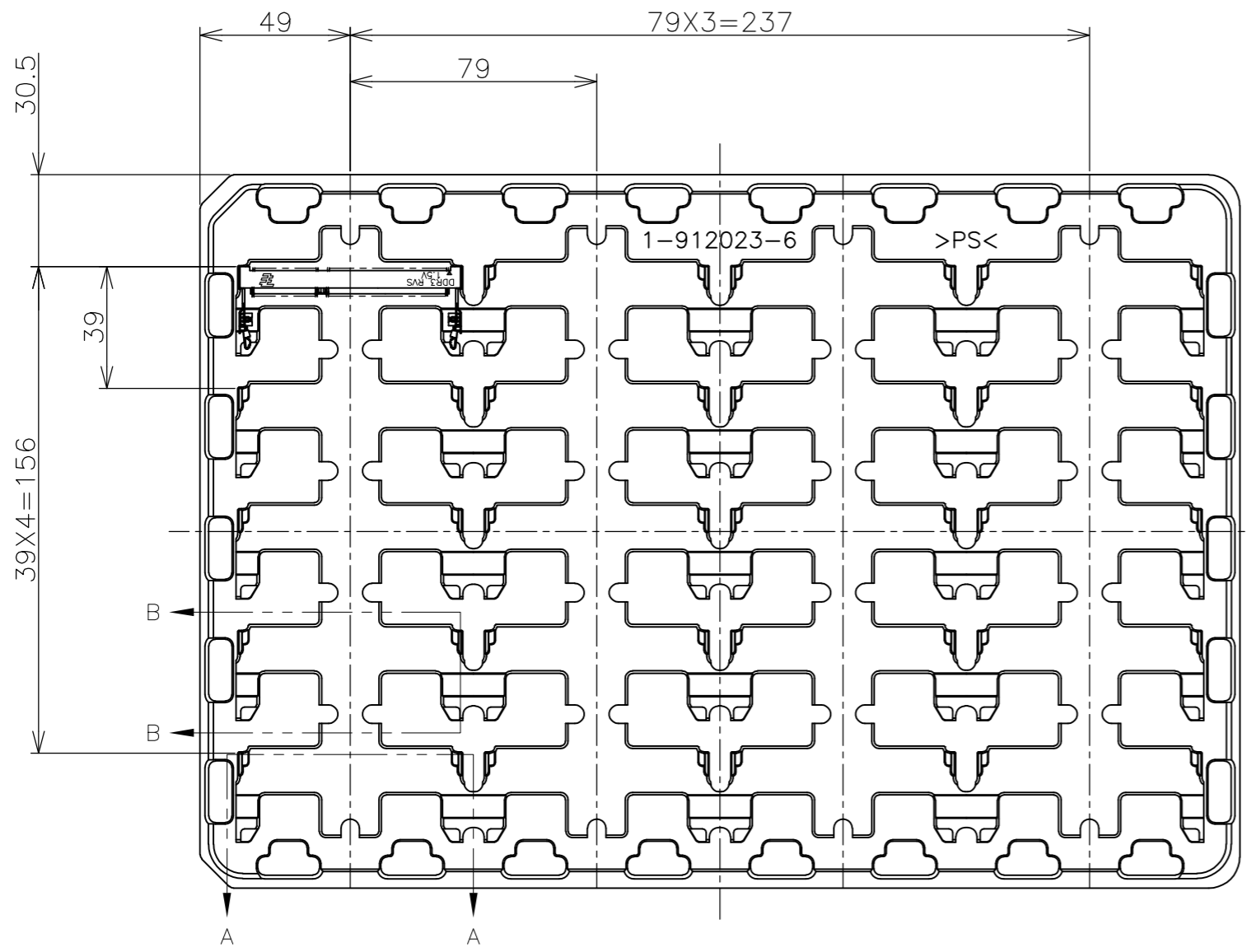
RVS TYPE

|  |  |                  |  |                            |               |
|--|--|------------------|--|----------------------------|---------------|
| THIS DRAWING IS A CONTROLLED DOCUMENT. |  | DWN              |  | <b>STE</b> TE Connectivity |               |
| DIMENSIONS: MM                         |  | CHK              |  |                            |               |
| TOLERANCES UNLESS OTHERWISE SPECIFIED: |  | APVD             |  | NAME                       |               |
| 0 PLC ±                                |  | PRODUCT SPEC     |  | DDR3 SODIMM SOCKET         |               |
| 1 PLC ±                                |  | APPLICATION SPEC |  | 0.6mm PITCH 204POS         |               |
| 2 PLC ±                                |  | WEIGHT           |  | 5.2mm HEIGHT REVERSE TYPE  |               |
| 3 PLC ±                                |  | CUSTOMER DRAWING |  | SIZE                       | RESTRICTED TO |
| 4 PLC ±                                |  | SCALE 2:1        |  | A3                         | -             |
| ANGLES ±                               |  | SHEET 3 OF 6     |  | CAGE CODE                  | REV           |
| FINISH                                 |  | REV C1           |  | 00779                      | C-2013290     |

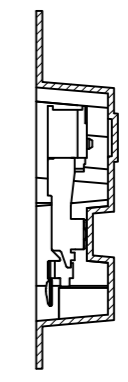


THIS DRAWING IS UNPUBLISHED. RELEASED FOR PUBLICATION SEP , 2007.  
 © COPYRIGHT 2007 By - ALL RIGHTS RESERVED.

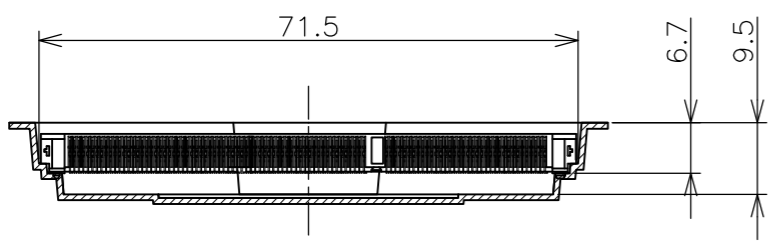
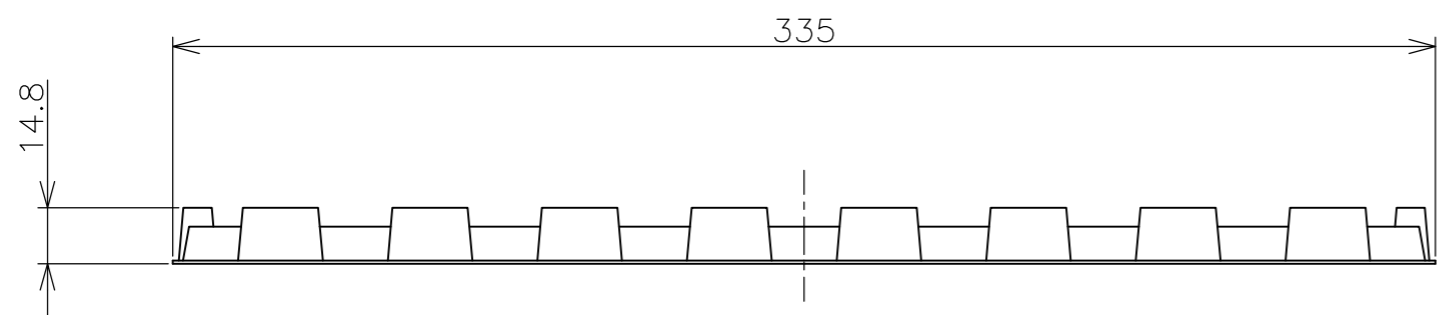
| LOC | DIST | REVISIONS   |      |     |      |
|-----|------|-------------|------|-----|------|
| P   | LTR  | DESCRIPTION | DATE | DWN | APVD |
| J   | /    | SEE SHEET 1 | -    | -   | -    |



- (APPLIED TO SHEET 5)
1. THE DIRECTION OF EACH CONNECTOR ON A TRAY IS REFERRED TO THIS DRAWING.
  2. GENERAL TOLERANCE: ±0.5, ±3'



B-B  
SCALE 1:1



A-A  
SCALE 1:1  
(180DEG. ROTATE)

|         |          |             |
|---------|----------|-------------|
| 240EA   | 20EA     | *-2013290-* |
| QTY/BOX | QTY/TRAY | PART NO.    |

|   |           |                  |  |      |           |            |               |    |       |           |   |
|---|-----------|------------------|--|------|-----------|------------|---------------|----|-------|-----------|---|
| THIS DRAWING IS A CONTROLLED DOCUMENT.  |           | DWN              | TE Connectivity  |      |           |            |               |    |       |           |   |
| DIMENSIONS: MM  |           | CHK              |  |      |           |            |               |    |       |           |   |
|   |           | APVD             |  |      |           |            |               |    |       |           |   |
| TOLERANCES UNLESS OTHERWISE SPECIFIED:<br>0 PLC ± 0.5<br>1 PLC ± 0.5<br>2 PLC ± 0.5<br>3 PLC ± 0.5<br>4 PLC ± 0.5<br>ANGLES ± 3'<br>MATERIAL FINISH |           | NAME             |  |      |           |            |               |    |       |           |   |
| MATERIAL  |           | PRODUCT SPEC     | DDR3 SODIMM SOCKET   |      |           |            |               |    |       |           |   |
|   |           | APPLICATION SPEC | 0.6mm PITCH 204POS   |      |           |            |               |    |       |           |   |
|   |           | WEIGHT           | 5.2mm HEIGHT REVERSE TYPE  |      |           |            |               |    |       |           |   |
|   |           | CUSTOMER DRAWING | <table border="1"> <tr> <td>SIZE</td> <td>CAGE CODE</td> <td>DRAWING NO</td> <td>RESTRICTED TO</td> </tr> <tr> <td>A3</td> <td>00779</td> <td>C-2013290</td> <td>-</td> </tr> </table> | SIZE | CAGE CODE | DRAWING NO | RESTRICTED TO | A3 | 00779 | C-2013290 | - |
| SIZE  | CAGE CODE | DRAWING NO       | RESTRICTED TO  |      |           |            |               |    |       |           |   |
| A3  | 00779     | C-2013290        | -  |      |           |            |               |    |       |           |   |
|   |           | SCALE            | 1:2  |      |           |            |               |    |       |           |   |
|   |           | SHEET            | 5 OF 6   |      |           |            |               |    |       |           |   |
|   |           | REV              | C1   |      |           |            |               |    |       |           |   |

THIS DRAWING IS UNPUBLISHED.

RELEASED FOR PUBLICATION SEP , 2007.

© COPYRIGHT 2007 By -

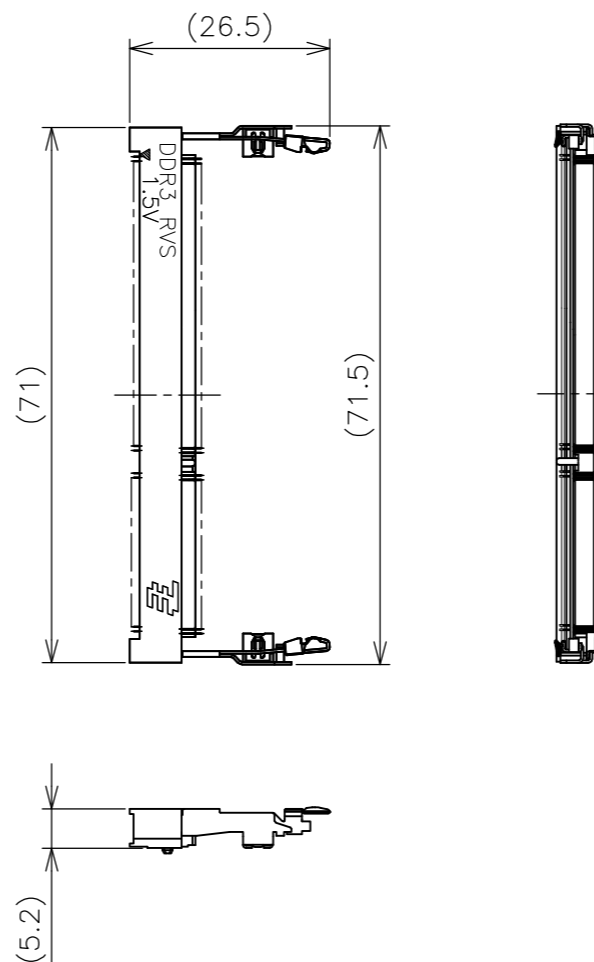
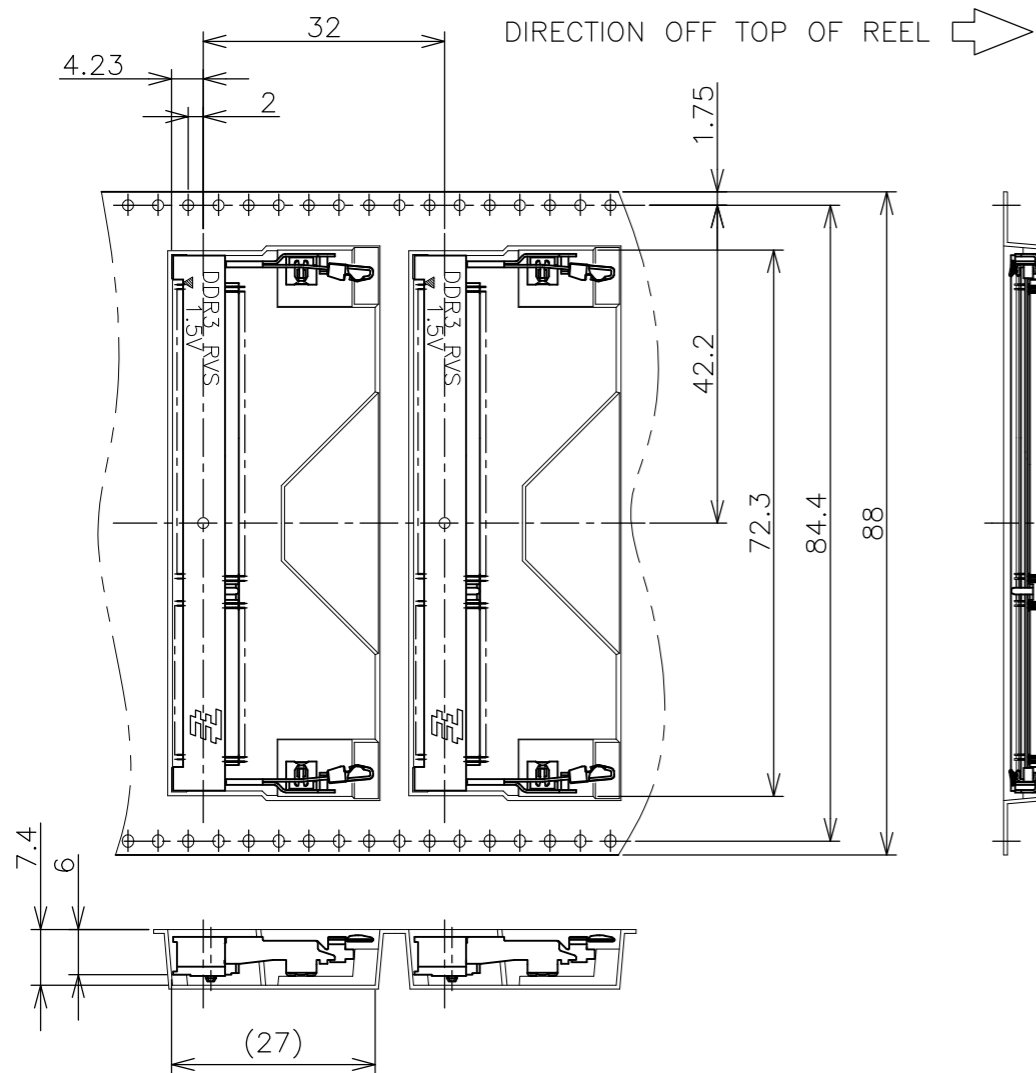
ALL RIGHTS RESERVED.

LOC J

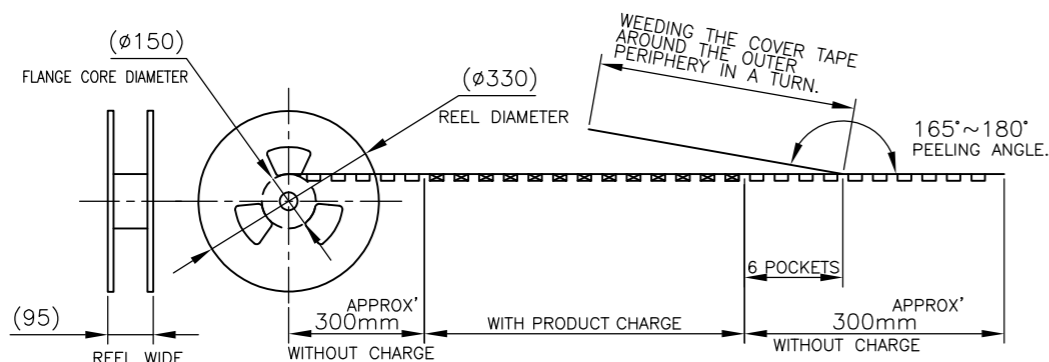
DIST

REVISIONS

| P | LTR | DESCRIPTION | DATE | DWN | APVD |
|---|-----|-------------|------|-----|------|
| - | -   | SEE SHEET 1 | -    | -   | -    |



- (APPLIED TO SHEET 6)
1. THE DIRECTION OF EACH CONNECTOR ON A REEL IS REFERRED TO THIS DRAWING.
  2. GENERAL TOLERANCE:  $\pm 0.5$ ,  $\pm 3'$



FREE SCALE

THIS DRAWING IS A CONTROLLED DOCUMENT.

|                   |  |
|-------------------|--|
| DIMENSIONS:<br>MM | TOLERANCES UNLESS OTHERWISE SPECIFIED: |
|                   | 0 PLC $\pm 0.5$                        |
|                   | 1 PLC $\pm 0.5$                        |
|                   | 2 PLC $\pm 0.5$                        |
|                   | 3 PLC $\pm 0.5$                        |
|                   | 4 PLC $\pm 0.5$                        |
|                   | ANGLES $\pm 3'$                        |
| MATERIAL          | FINISH                                 |

|                  |
|------------------|
| DWN              |
| CHK              |
| APVD             |
| PRODUCT SPEC     |
| APPLICATION SPEC |
| WEIGHT           |
| CUSTOMER DRAWING |

|   |               |              |               |
|---|---------------|--------------|---------------|
| 200EA   | *- 2013290 -* |              |               |
| QTY/REEL  | PART NO.      |              |               |
| <b>STE</b> TE Connectivity  |               |              |               |
| NAME<br>DDR3 SODIMM SOCKET<br>0.6mm PITCH 204POS<br>5.2mm HEIGHT REVERSE TYPE |               |              |               |
| SIZE  | CAGE CODE     | DRAWING NO   | RESTRICTED TO |
| A3  | 00779         | C-2013290    | -             |
| SCALE 1:2   |               | SHEET 6 OF 6 | REV C1        |

# Mouser Electronics

Authorized Distributor

Click to View Pricing, Inventory, Delivery & Lifecycle Information:

[TE Connectivity:](#)

[2-2013290-3](#)