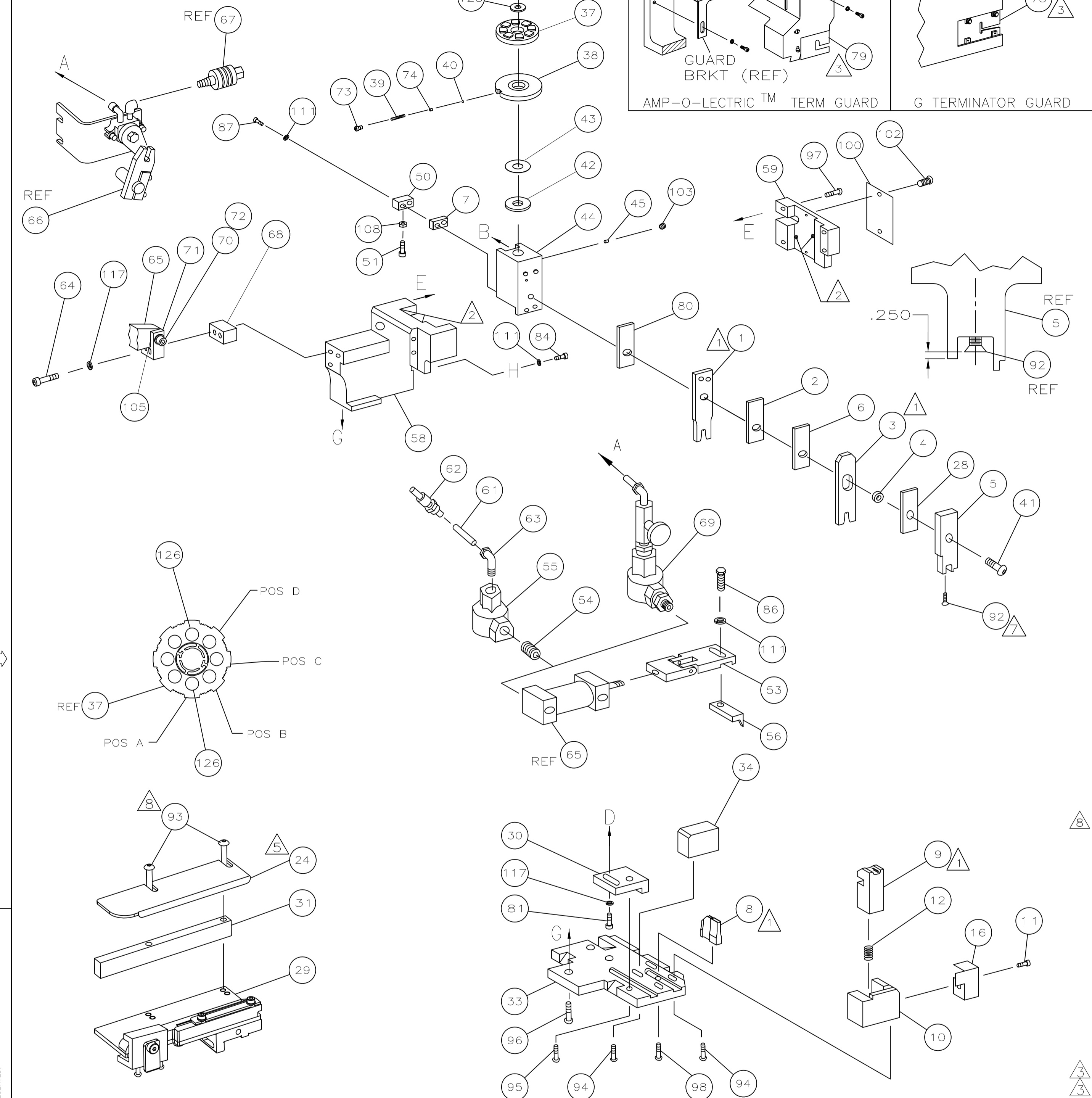


PART NUMBER	REV	FIRST USED
1852095-1	A	122500-1
1852095-2	A	565435-5
1852095-3	A	354500-1



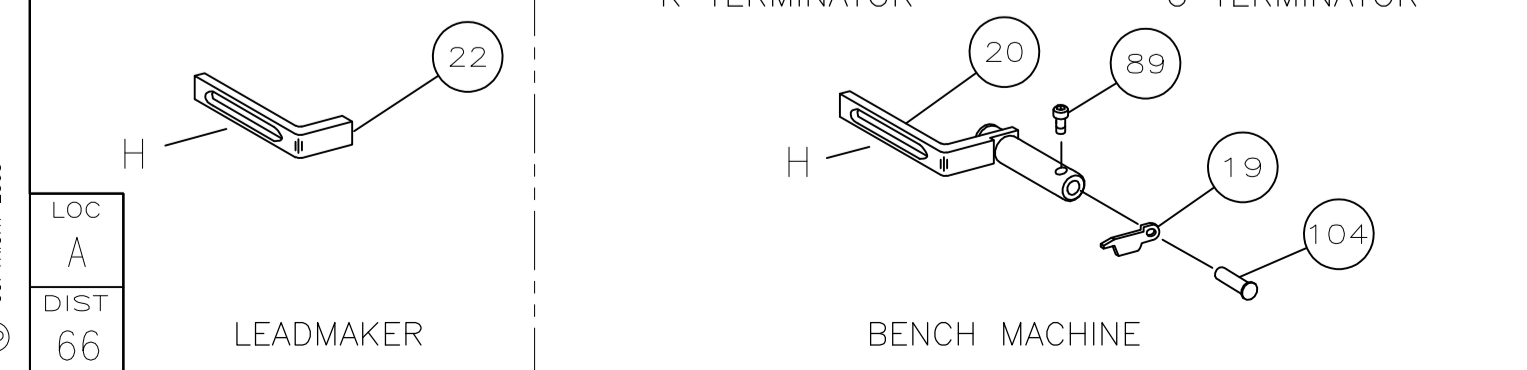
- 1 RECOMMENDED SPARE PARTS.
- 2 GREASE LIGHTLY.
- 3 GUARD MUST BE IN PLACE WHEN OPERATING APPLICATOR IN A BENCH MACHINE.
- 4 SEE DRAWING FOR COMPONENTS
- 5 REAR STRIP GUIDE TO GUIDE ON INSULATION BARREL.
- 6 THIS APPLICATOR APPLIES TERMINAL WITH A SEAL.
- 7 APPLY TORQ-SEAL IN ALLEN SOCKET TO FILL HOLE AFTER FLAT HD HAS BEEN ADJUSTED TO CORRECT HEIGHT AT QUALIFICATION. APPLY PN 1-23419-5 LOC-TITE TO THREADS.
- 8 CUT TO LENGTH AT ASSEMBLY.

TERMINAL NAME: RECEPTACLE		KOSTAL TERMINAL		AMP CRIMP SPECS	
AMP TERM PN	MFR TERM PN	PAD LTR	CRIMP HEIGHT	WIRE SIZE	
1572762	23124472620	A	.126 ±002 [3.20 ±0.05mm]	10 awg	
		B	NOT	USED	
		C	NOT	USED	
		D	NOT	USED	
AMP SEAL PN	MFR SEAL PN	CRIMP	SIZE	TYPE	RANGE
1572766	10800472742	WIRE	.190 [4.83mm]	F	10 awg
		INSUL	.300 [7.62mm]	0	Ø246 MAX
WIRE STRIP LENGTH	TERM APPL SPEC	FEED	APPL INSTRUCTION	SET UP GAGE	LAYOUT
.351-.368	NONE	.967	408-8040	458637-1	L1852095

QTY	REQD PER ASSY	U/M	DWG SIZE	PART NO	DESCRIPTION	ITEM NO	
						129	
						128	
						127	
2	2	2	-	C	354779-6	PIN, WIRE DISC (.3020)A	126
1	1	1	-	A	986950-1	WASHER, FLAT PRECISION	125
1	1	1	-	A	217238-1	GENERAL INSTRUCTION PACKAGE	124
1	1	1	-	-	4088040	SF APPL INST 408-8040	123
						122	
						121	
						120	
						119	
						118	
3	3	3	-	A	21024-5	WASHER, LOCK(#10)ADJ BLOCK	117
						116	
						115	
						114	
						113	
						112	
4	4	4	-	A	21024-4	WASHER, LOCK(#8)STRIPPER	111
						110	
						109	
1	1	1	-	A	21018-5	NUT, HEX(NO.6)HOLDDOWN	108
						107	
						106	
1	1	1	-	A	371178	BASE MOUNT WASHER	105
1	1	-	-	A	992031-1	PIN, CLEVIS	104
1	1	1	-	A	21009-2	SCR,SKT SET(1/4-20x.25 LW)RAM	103
2	2	2	-	A	21017-2	SCR,DRIVE(#2x.19)ID PLATE	102
						101	
1	1	1	-	B	461264-1	PLATE, IDENTIFICATION	100
						99	
1	1	1	-	A	22733-8	SCR,BHC(8-32x.38 LW)ANVIL	98
4	4	4	-	A	2-21002-9	SCR,BHC(10-32x.75)CAP	97
3	3	3	-	A	2-22733-8	SCR,BHC(1/4-20x.62)HSG	96
1	1	1	-	A	2-21002-7	SCR,BHC(10-32x.50)SG ADJ BLK	95
4	4	4	-	A	2-21002-2	SCR,BHC(8-32x.50)TERM H DWN	94
2	2	2	-	A	9-21002-6	SCR,BHC(8-32x.88)R STP GDE	93
1	1	1	-	A	1-21003-9	SCR,FHC(6-32x.38)DEP	92
						91	
						90	
1	1	-	-	A	7-21000-9	SCR,SHC(4-40x.19)STRIPPER	89
						88	
2	2	2	-	A	2-21000-8	SCR,SHC(8-32x.62)DEP-HOLD	87
1	1	1	-	A	2-22603-1	SCR,HEX HD(8-32x.38)FEED FINGER	86
						85	
1	1	1	-	A	2-21000-7	SCR,SHC(8-32x.50)STRIPPER	84
						83	
						82	
1	1	1	-	A	3-21000-4	SCR,SHC(10-32x.38)SG ADJ BL	81
1	1	1	-	C	455888-2	SPACER, CRIMPER	80
-	1	-	-	B	462992-7	GUARD ASSY	79
REF	-	-	-	B	679532-1	INSERT, GUARD	78
						77	
						76	
						75	
1	1	1	-	A	690603-1	SPRING, ASSIST	74
1	1	1	-	A	23030-1	SCR,SHC(6-32x.25 SL)INS DISC	73
1	1	1	-	A	3-21001-5	SCR,SHC(3/8x1.00)FEED MT	72
1	1	1	-	B	459610-3	MOUNT, FEED BRACKET	71
-3	-2	-1	U/M	DWG SIZE	PART NO	DESCRIPTION	ITEM NO

QTY	REQD PER ASSY	U/M	DWG SIZE	PART NO	DESCRIPTION	ITEM NO	
1	1	1	-	A	690603-1	SPRING, ASSIST	74
1	1	1	-	A	23030-1	SCR,SHC(6-32x.25 SL)INS DISC	73
1	1	1	-	A	3-21001-5	SCR,SHC(3/8x1.00)FEED MT	72
1	1	1	-	B	459610-3	MOUNT, FEED BRACKET	71

QTY	REQD PER ASSY	U/M	DWG SIZE	PART NO	DESCRIPTION	ITEM NO
						70
						69
						68
						67
						66
						65
						64
						63
						62
						61
						60
						59
						58
						57
						56
						55
						54
						53
						52
						51
						50
						49
						48
						47
						46
						45
						44
						43
						42
						41
						40
						39
						38
						37
						36
						35
						34
						33
						32
						31
						30
						29
						28
						27
						26
						25
						24
						23
						22
						21
						20
						19
						18
						17
						16
						15
						14
						13
						12
						11
						10
						9
						8
						7
						6
						5
						4
						3
						2
						1
QTY	REQD PER ASSY	U/M	DWG SIZE	PART NO	DESCRIPTION	ITEM NO



Mouser Electronics

Authorized Distributor

Click to View Pricing, Inventory, Delivery & Lifecycle Information:

[TE Connectivity:](#)

[1852095-1](#)