



BOARD LEVEL COOLING – Extruded 5310

Extruded 5310 is a series of dual radial board level heat sinks designed to cool TO-202 and TO-220 devices. Representative image only.

ORDERING INFORMATION

Part Number	Device Type
531002B00000G	TO-202, TO-220
531002B02100G	TO-202, TO-220
531002B02500G	TO-220
531102B00000G	TO-202, TO-220
531102B02100G	TO-220
531102B02500G	TO-220
531102V02500G	TO-220
531202B00000G	TO-202, TO-220
531202B02100G	TO-202, TO-220
531202B02500G	TO-202, TO-220
531302B02500G	TO-202, TO-220



HEAT SINK DETAILS

Property	Details
Material	Aluminum
Finish	Black Anodize
Finish: 531102V02500G	AavSHIELD3
Device Attachment Options	Requires Mounting Kit
Thermal Interface Material	-

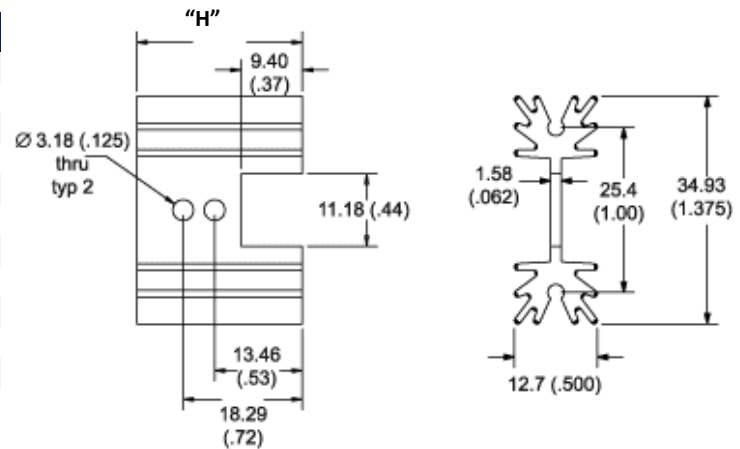
Property	Details
Heat Sink Width (mm)	34.92
Heat Sink Length (mm)	12.70
Heat Sink Height (mm)	See "H" Dim below
Heat Sink Mounting Direction	Vertical

MECHANICAL & PERFORMANCE

Drawing dimensions are shown in mm, (in)

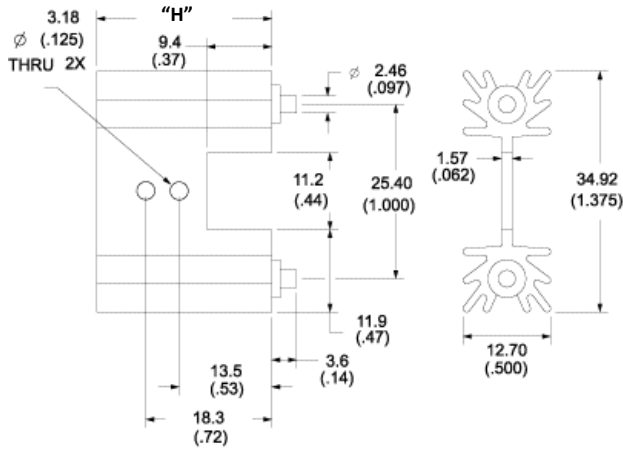
Part Number	"H" Dim	"X" Dim	"Y" Dim	"Z" Dim
531002B00000G	25.40	-	-	-
531002B02100G	25.40	12.70 (0.500)	.79 (0.031)	2.67 (0.105)
531002B02500G	25.40	12.70 (0.500)	.79 (0.031)	2.67 (0.105)
531102B00000G	38.10	-	-	-
531102B02100G	38.10	12.70 (0.500)	.79 (0.031)	2.67 (0.105)
531102B02500G	38.10	12.70 (0.500)	.79 (0.031)	2.67 (0.105)
531102V02500G	38.10	12.70 (0.500)	.79 (0.031)	2.67 (0.105)
531202B00000G	50.80	-	-	-
531202B02100G	50.80	12.70 (0.500)	.79 (0.031)	2.67 (0.105)
531202B02500G	50.80	12.70 (0.500)	.79 (0.031)	2.67 (0.105)
531302B02500G	63.50	12.70 (0.500)	.79 (0.031)	2.67 (0.105)

Part Number: 531002B00000G

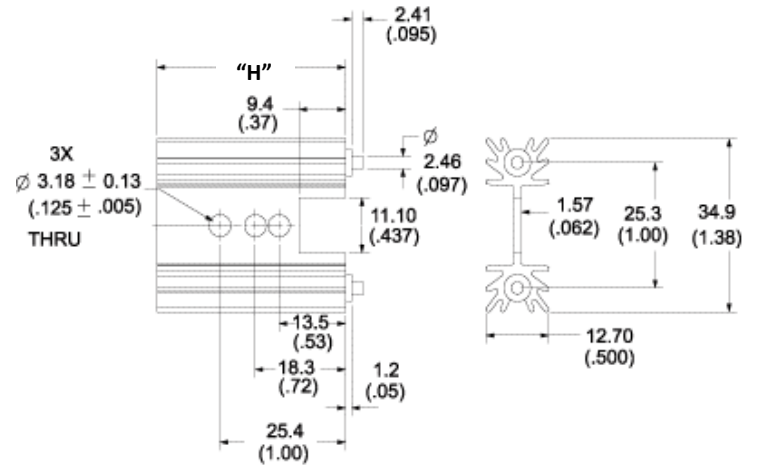


Board Level Cooling – Extruded 5310

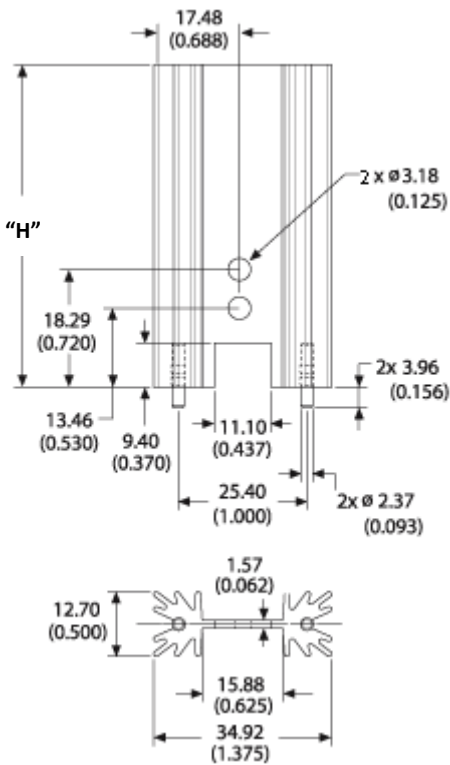
Part Number: 531002B02100G



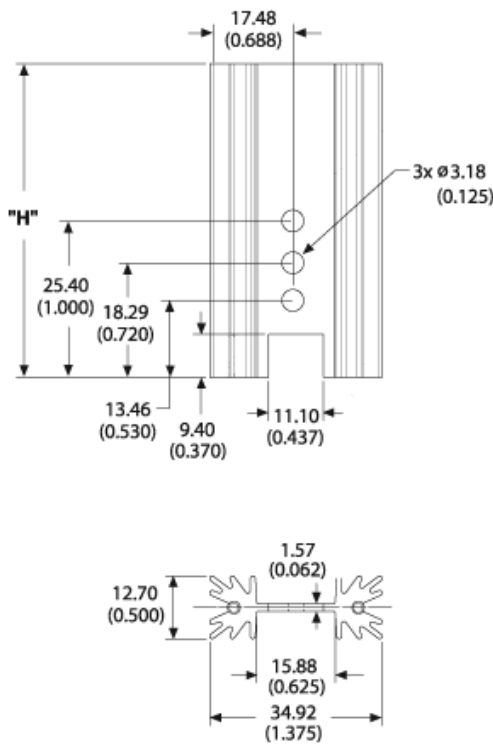
Part Number: 531102B02100G



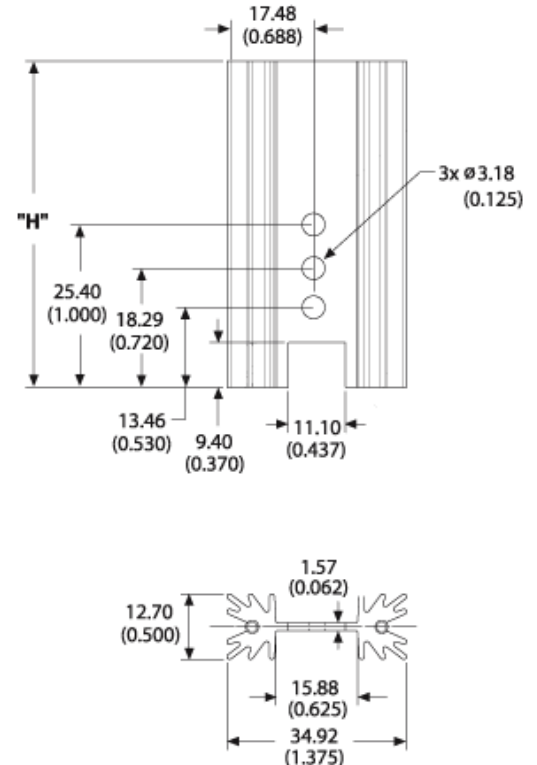
Part Number: 531002B02500G



Part Number: 531102B00000G

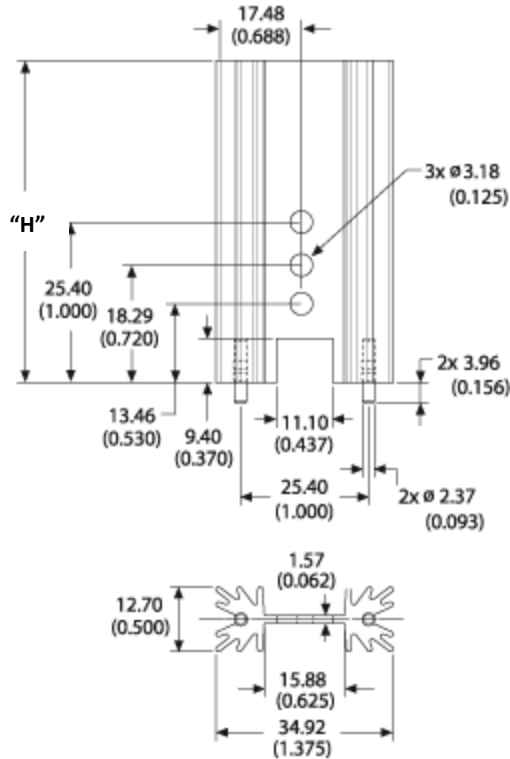


Part Number 531202B00000G

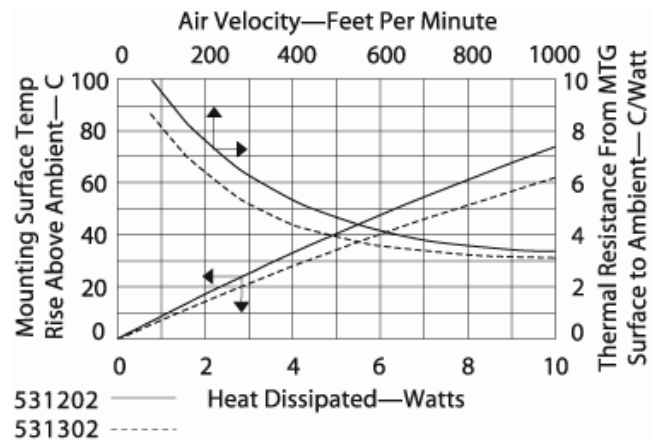
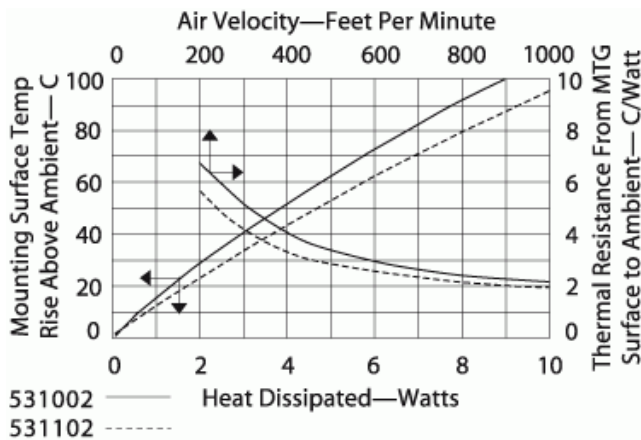
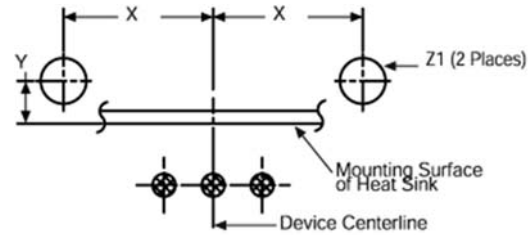


Board Level Cooling – Extruded 5310

Part Number: 531102B02500G, 531102V02500G,
531202B02100G, 531202B02500G, 531302B02500G



Mounting Details:



Mouser Electronics

Authorized Distributor

Click to View Pricing, Inventory, Delivery & Lifecycle Information:

[Aavid:](#)

[531202B02500G](#) [531002B02500G](#) [531302B02500G](#) [531102B02500G](#) [531002B02100G](#) [531102B02100G](#)
[531202B02100G](#) [531102B00000G](#) [531202B00000G](#) [531002B00000G](#) [531002B02100](#) [531102B02100](#)
[531302B00000](#) [531202B02500](#) [531002B02500](#) [531102B02500](#)