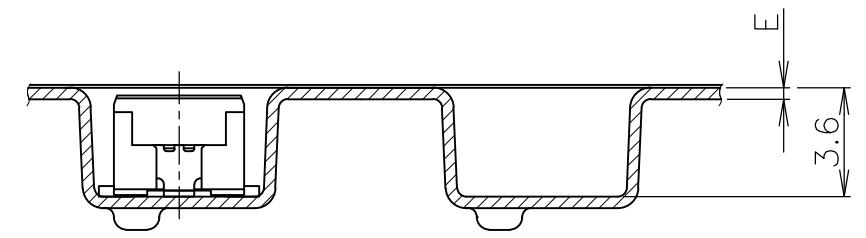
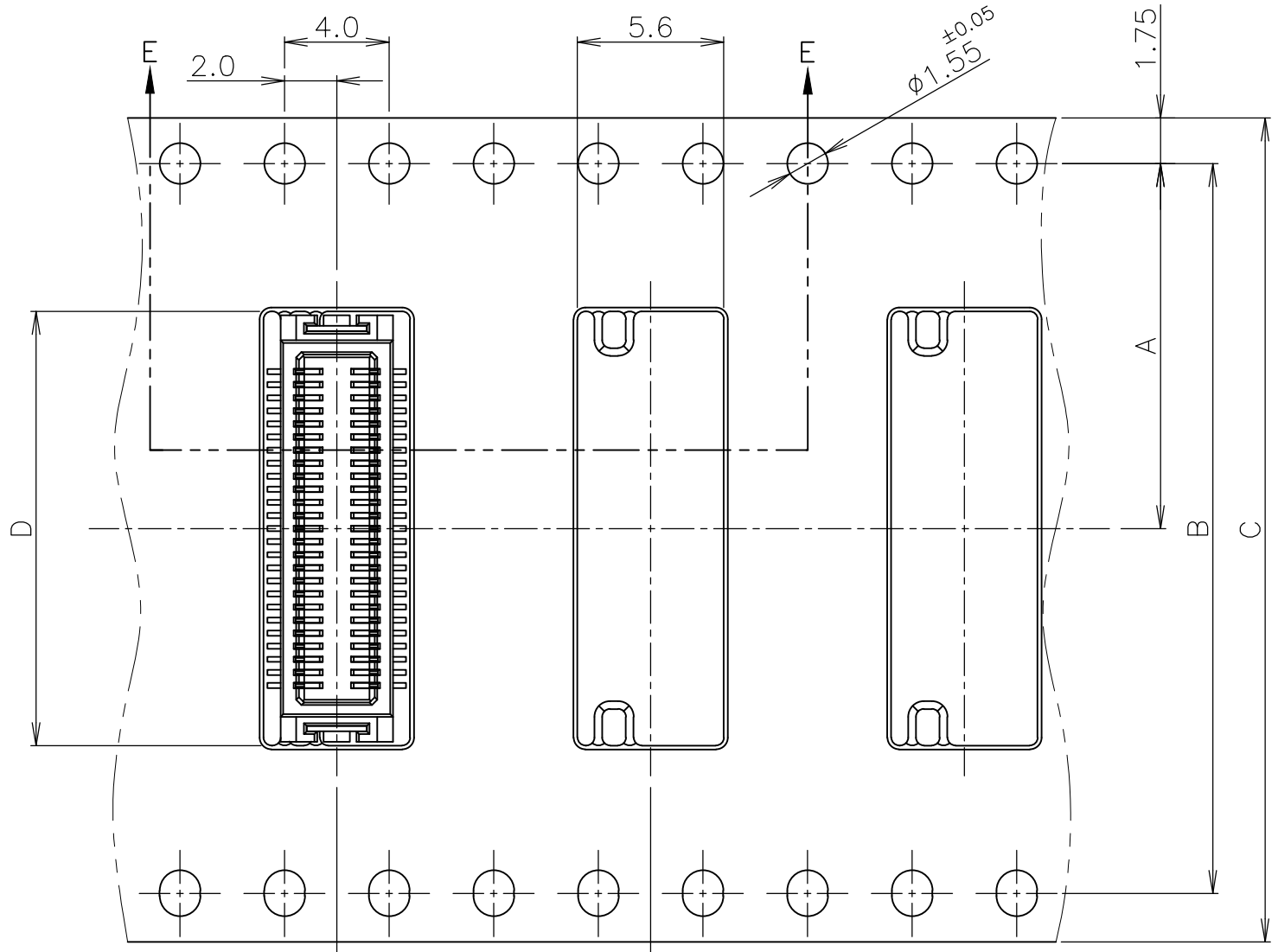


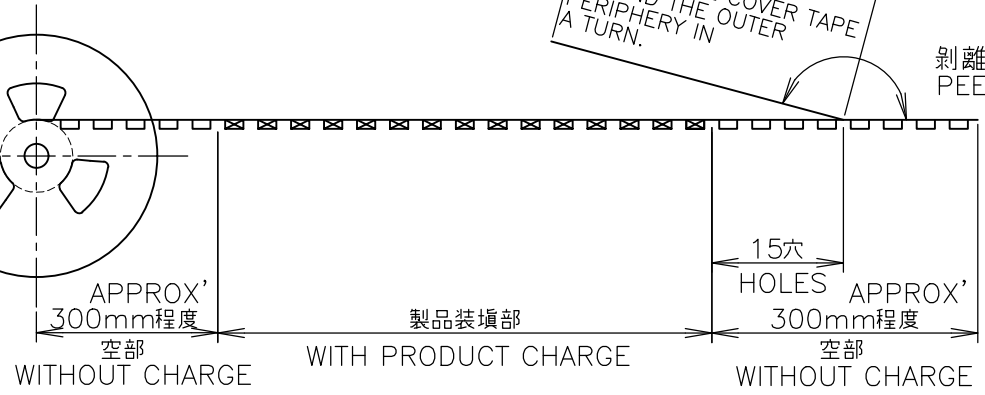
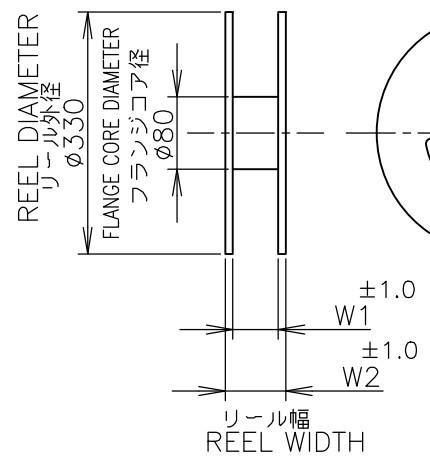
P	LTR	DESCRIPTION	DATE	DWN	APVD
	A2	RELEASED PER ECR-12-001064	09DEC11	J.J	Y.S
	A3	REVISED PER ECO-17-015619	17OCT17	R.L	H.L



引出し方向  
TOP OF REEL  
➔

カバーテープ  
リーダー部  
外周一巻  
WEEDING THE COVER TAPE  
AROUND THE OUTER  
PERIPHERY IN  
A TURN.


剥離角度、165°~180°  
PEELING ANGLE.



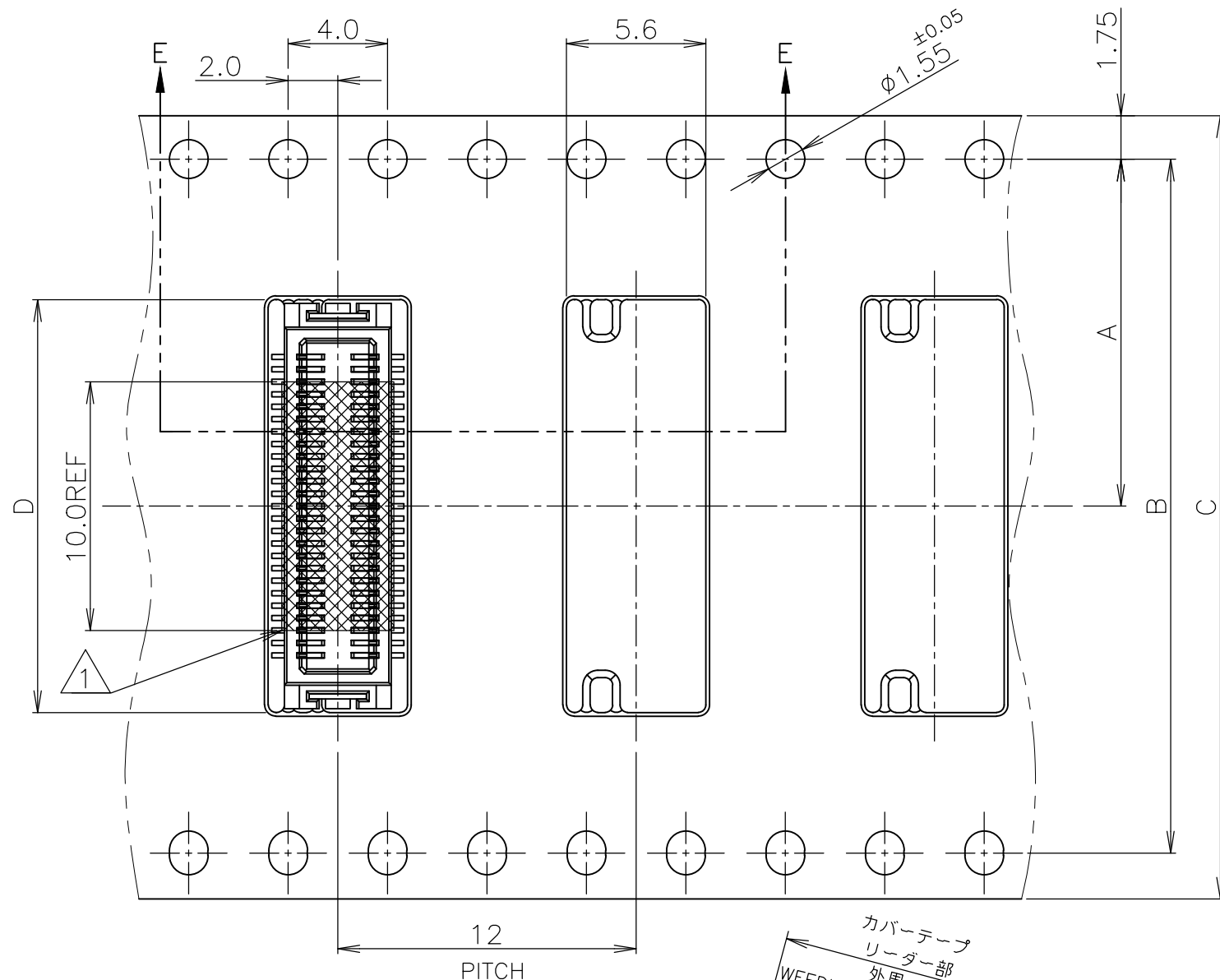
FOR P/N \*-1,-3,-5,-9,  
5-\*-3,

THIS DRAWING IS A CONTROLLED DOCUMENT.

DIMENSIONS: 単位: 耗 MM	TOLERANCES UNLESS OTHERWISE SPECIFIED: 一般公差
0 PLC	± 0.3
1 PLC	± 0.3
2 PLC	± 0.3
3 PLC	± 0.3
4 PLC	± 0.3
ANGLES	± 3°
MATERIAL 材料	FINISH 仕上

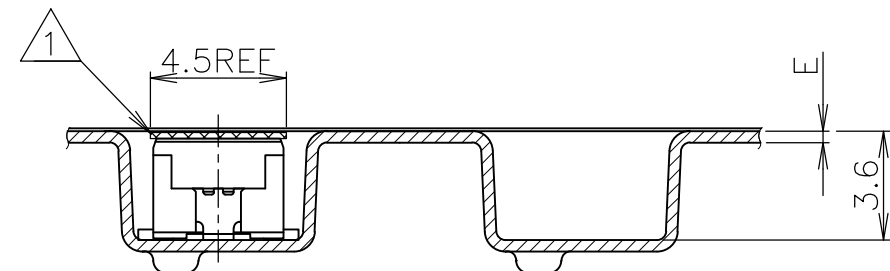
INSTRUCTION SHEET 取扱説明書 411-5808	WIRE RANGE 抱合電線断面積	INSULATION DIA 被覆外径
DWN Y.NAKAZAWA 23APR04	 TE Connectivity	
CHK T.KUSUHARA 23APR04		
APVD H.MURAMATSU 23APR04	NAME 名称	
PRODUCT SPEC 製品規格 108-5496	ON TAPING (EMBOSS) 0.5mm PITCH FINE MATE CONN. TAB ASSEMBLY (V-TYPE) (H=4.5)	
APPLICATION SPEC 取付適用規格	SIZE A3	CAGE CODE 00779
WEIGHT	DRAWING NO 番号 C-1565359	RESTRICTED TO
CUSTOMER DRAWING	SCALE 尺度 4:1	SHEET 1 OF 3
		REV A3

P	LTR	DESCRIPTION	DATE	DWN	APVD
-	-	SEE SHEET 1	-	-	-



テープ幅  
TAPE WIDTH

引出し方向  
TOP OF REEL  
➔



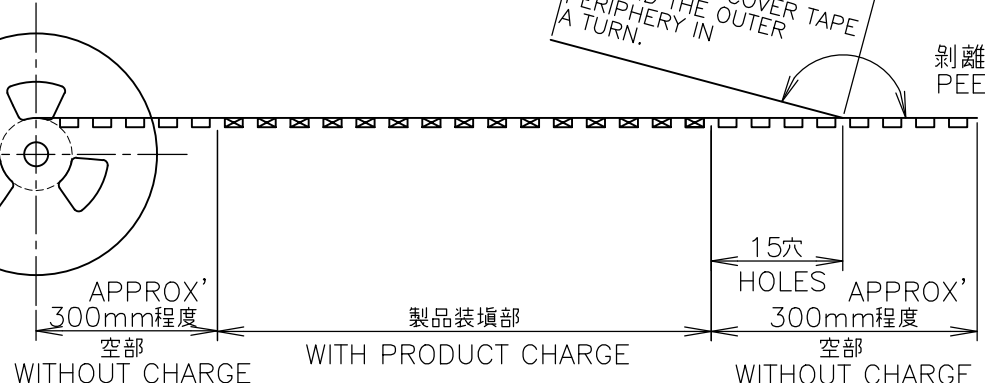
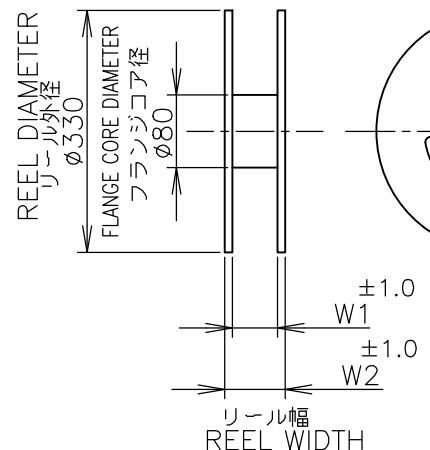
E-E

カバーテープ  
リーダー部  
外周一巻  
WEEDING THE COVER TAPE  
AROUND THE OUTER  
PERIPHERY IN  
A TURN.

剝離角度、 $165^{\circ} \sim 180^{\circ}$   
PEELING ANGLE.

NOTES:

① POLYIMIDE TAPE FOR PICK AND PLACE.



FOR P/N 1-\*-\*1

THIS DRAWING IS A CONTROLLED DOCUMENT.

DIMENSIONS: 単位: 耗 MM	TOLERANCES UNLESS OTHERWISE SPECIFIED: 一般公差
0 PLC	$\pm 0.3$
1 PLC	$\pm 0.3$
2 PLC	$\pm 0.3$
3 PLC	$\pm 0.3$
4 PLC	$\pm 0.3$
ANGLES	$\pm 3^{\circ}$
MATERIAL 材料	FINISH 仕上

INSTRUCTION SHEET 取扱説明書	WIRE RANGE 抱合電線断面積	INSULATION DIA 被覆外径
DWN	TE Connectivity	
CHK		
APVD	NAME 名称	
PRODUCT SPEC 製品規格	ON TAPING (EMBOSS) 0.5mm PITCH FINE MATE CONN. TAB ASSEMBLY (V-TYPE) (H=4.5)	
APPLICATION SPEC 取付適用規格	SIZE	CAGE CODE
WEIGHT	A3	00779
CUSTOMER DRAWING	DRAWING NO 番号	RESTRICTED TO
	G-1565359	
	SCALE 尺度 4:1	SHEET 2 OF 3
		REV A3

THIS DRAWING IS UNPUBLISHED.

RELEASED FOR PUBLICATION , APR 2004

© COPYRIGHT 2004 By -

ALL RIGHTS RESERVED.

REVISIONS

変更

P	LTR	DESCRIPTION	DATE	DWN	APVD
-	-	SEE SHEET 1	-	-	-

BOSS	MYLAR	DIMENSIONS										QTY/ REEL	POS	CONNECTOR P/N	TAPING P/N
		W2	W1	E	D	C	B	A							
WITHOUT BOSS	WITH MYLAR	49.5	45.5	0.38	29.1	44	40.4	20.2	1000	100	1-1565360-1	1-1565359-1			
	WITHOUT MYLAR	20.2	17.5	0.4	9.1	16	+-	7.5	1000	20	1565360-9	1565359-9			
	WITHOUT MYLAR	36.7	33.5	0.4	19.1	32	28.4	14.2	1000	60	1565360-5	1565359-5			
	WITHOUT MYLAR	50.5	45.5	0.4	24.1	44	40.4	20.2	1000	80	1565360-3	1565359-3			
WITH BOSS	WITHOUT MYLAR	50.5	45.5	0.4	24.1	44	40.4	20.2	1000	80	5-1565360-3	5-1565359-3			
	WITHOUT MYLAR	49.5	45.5	0.38	29.1	44	40.4	20.2	1000	100	1565360-1	1565359-1			

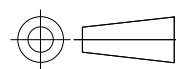
A3 OBSOLETE

A3 OBSOLETE

THIS DRAWING IS A CONTROLLED DOCUMENT.

DIMENSIONS:  
單位: 耗  
MM

TOLERANCES UNLESS  
OTHERWISE SPECIFIED:  
一般公差



- 0 PLC ± 0.3
- 1 PLC ± 0.3
- 2 PLC ± 0.3
- 3 PLC ± 0.3
- 4 PLC ± 0.3
- ANGLES ± 3'

MATERIAL  
材料

FINISH  
仕上

INSTRUCTION SHEET  
取扱説明書

WIRE RANGE  
包含電線斷面積

INSULATION DIA  
被覆外径

DWN -

CHK -

APVD -

PRODUCT SPEC  
製品規格

APPLICATION SPEC  
取付適用規格

WEIGHT 0



ON TAPING (EMBOSS)  
0.5mm PITCH FINE MATE CONN.  
TAB ASSEMBLY (V-TYPE) (H=4.5)

SIZE A3 CAGE CODE 00779 DRAWING NO 1565359 RESTRICTED TO -

CUSTOMER DRAWING SCALE 4:1 SHEET 3 OF 3 REV A3

# Mouser Electronics

Authorized Distributor

Click to View Pricing, Inventory, Delivery & Lifecycle Information:

[TE Connectivity:](#)

[1565359-9](#)