

REVISIONS				
P	LTR	DESCRIPTION	DATE	APVD
	A1	2-963748-2 is Discontinued	15JUL2016	JJH Merz

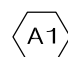
CUSTOMER DRAWING FOR PN 963748


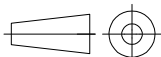
SEE 1355052

RELEASED FOR PUBLICATION
 FREI FÜR VERÖFFENTLICHUNG
 ALL RIGHTS RESERVED.

THIS DRAWING IS UNPUBLISHED.
 VERTRAULICHE UNVERÖFFENTLICHTE ZEICHNUNG.

© COPYRIGHT -- By --

 OBSOLETE	2-963748-3	FOR CURRENT REVISION SEE STRIP-DRW.
	2-963748-2	
	2-963748-1	
	1-963748-3	
	1-963748-2	
	1-963748-1	
	LP NO	REV

DIMENSIONS: MASSENHEITEN mm	DWN T. Konecny	7JUN2005	MATERIAL -	FINISH OBERFLAECHE/FARBE -			
	CHK -		 TE Connectivity				
TOLERANCES UNLESS OTHERWISE SPECIFIED: ALLGEMEINTOLERANZEN	APVD M. Brunner	7JUN2005			NAME TAB 2.8x0.8 mm Flachstecker 2.8x0.8 mm		
	0 PLC ± - <small>P: ISO 8015 - mH -E</small> 1 PLC ± - <small>P: ISO 2768</small> 2 PLC ± - <small>P: DIN 16901 - 140</small> 3 PLC ± - 4 PLC ± - ANGLES/WINKEL ± -	PRODUCT SPEC PRODUKTSPEZ. -	APPLICATION SPEC VERARBEITUNGSSPEZ. -	SIZE A4	CAGE CODE 00779	DRAWING NO ZEICHNUNGS-NR. C-963748	RESTRICTED TO NUR FUER -
	WEIGHT GEWICHT 0.000000	CUSTOMER DRAWING / KUNDENZEICHNUNG			SCALE MASSSTAB -	SHEET BLATT 1 OF 1	REV A1

Mouser Electronics

Authorized Distributor

Click to View Pricing, Inventory, Delivery & Lifecycle Information:

[TE Connectivity:](#)

[1-963748-1](#)