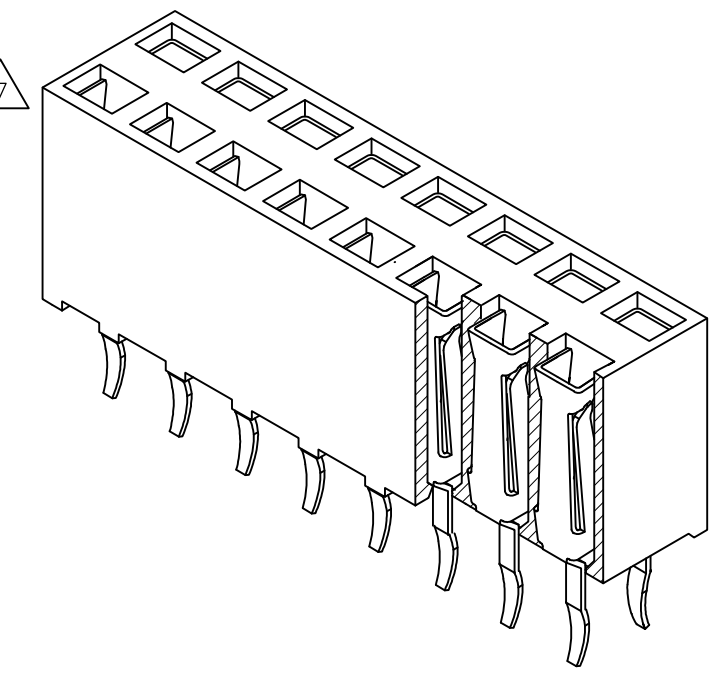
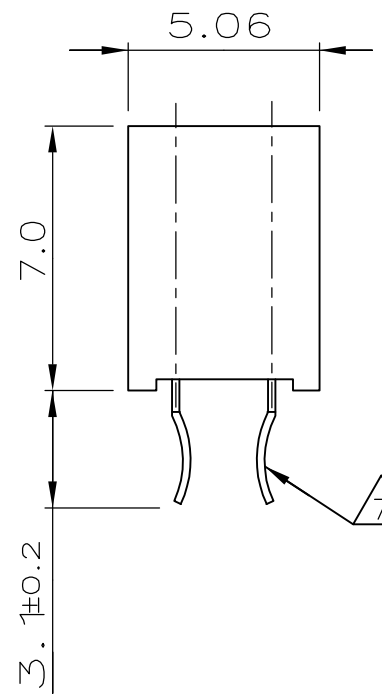
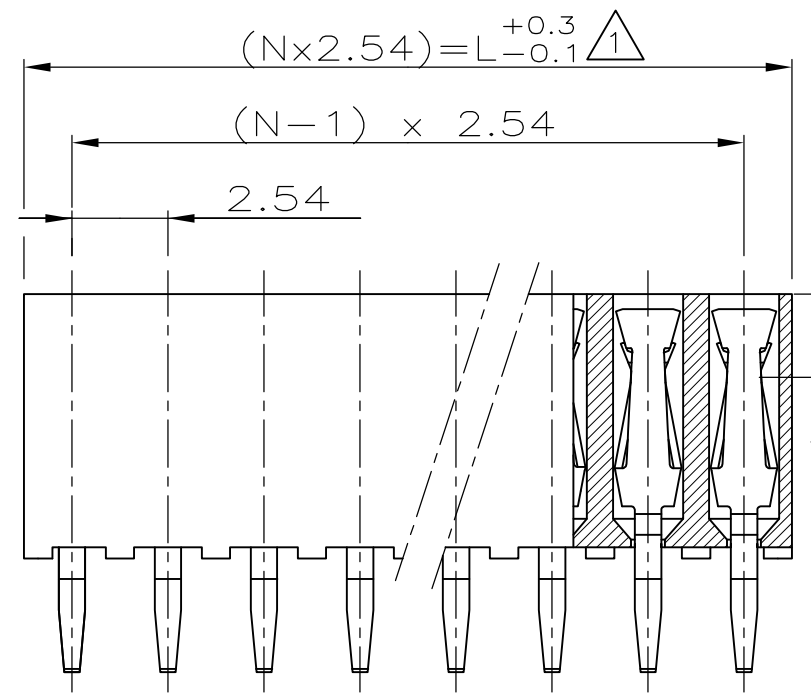


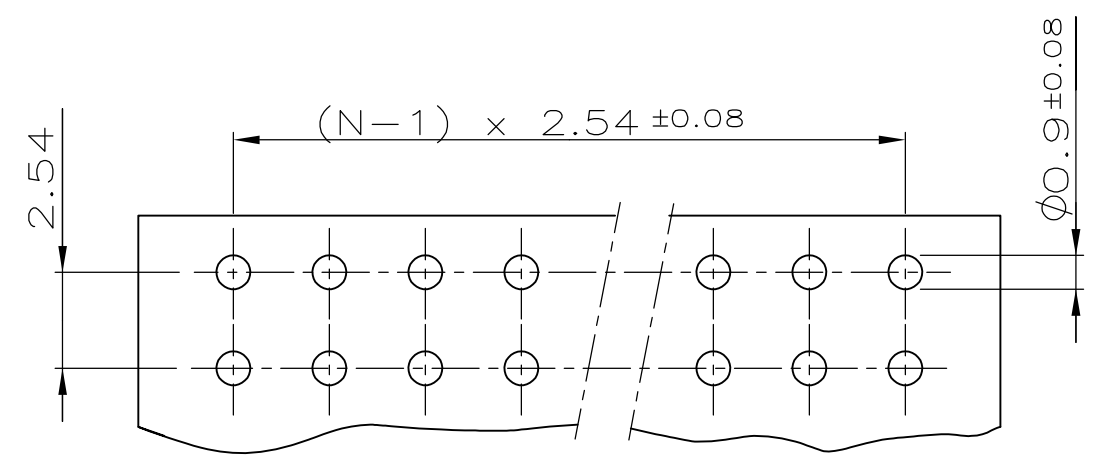
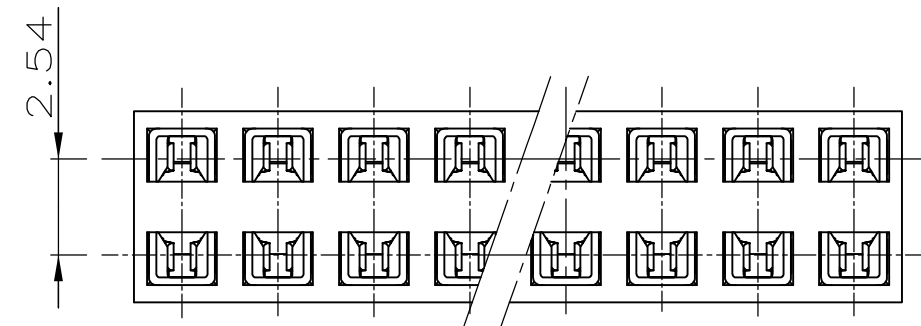
THIS DRAWING IS UNPUBLISHED. RELEASED FOR PUBLICATION
 © COPYRIGHT - By - ALL RIGHTS RESERVED. METRIC

POS. PER ROW 'N'	L	PART NUMBER
2	5.08	215307-2
3	7.62	-3
4	10.16	-4
5	12.70	-5
6	15.24	-6
7	17.78	-7
8	20.32	-8
9	22.86	-9
10	25.40	1- -0
11	27.94	1- -1
12	30.48	1- -2
13	33.02	1- -3
14	35.56	1- -4
15	38.10	1- -5
16	40.64	1- -6
17	43.18	1- -7
18	45.72	1- -8
19	48.26	1- -9
20	50.80	2- -0
21	53.34	2- -1
22	55.88	2- -2
23	58.42	2- -3
24	60.96	2- -4
25	63.50	2- -5
26	66.04	2- -6
27	68.58	2- -7
28	71.12	2- -8
29	73.66	2- -9
30	76.20	3- -0
31	78.74	3- -1
32	81.28	3- -2
33	83.82	3- -3
34	86.36	3- -4
35	88.90	3- -5
36	91.44	3-215307-6

OBSOLETE
OBSOLETE
OBSOLETE
OBSOLETE
OBSOLETE



- NOTES:
- TO DETERMINE DIMENSIONS TAKE $2 \times N = \text{NR. OF POS.}$. FOR EXAMPLE: $2 \times 10 \text{ POS.: } N \times 2,54 = 25,4 \text{ mm.}$ FOR ORDER NR. USE BASIC NR. + NR. OF POS. FOR EXAMPLE: $2 \times 2 \text{ POS.} = 215\ 307-2$ (SHORTEST VERSION) $2 \times 36 \text{ POS.} = 3-215\ 307-6$ (LONGEST VERSION)
 - HOUSING MATERIAL: GREEN GLASS FILLED POLYESTER, UL 94V-0
CONTACT MATERIAL: PHOSPHOR BRONZE.
 - PLATING: UNDERCOATING: $1,3\ \mu\text{m Ni.}$
AT CONT.PLACE: $0,8\ \mu\text{m Au.}$
AT SOLDER-TYNES: MIN. $2,5\ \mu\text{m Sn.}$
 - MATES WITH 0,63 SQUARE/ROUND MODU POSTS.
 - CONTACT-POINT.
 - RECOMMENDED P.C.BOARD-THICKNESS: 1,6.
 - RETENTION FEATURE.
 - HV100 CONNECTOR PACKED IN ANTISTATIC BLISTER



P.C.-BOARD HOLE-PATTERN

VERWENDET FÜR E 91-52 572	SEE NOTES FINISH	SEE NOTES MATERIAL	SEE NOTES PART NUMBER
------------------------------	---------------------	-----------------------	--------------------------

THIS DRAWING IS A CONTROLLED DOCUMENT.		DWN R.VISSER 08.05.87	TE Connectivity	
DIMENSIONS: mm		CHK W.SIMONS		
TOLERANCES UNLESS OTHERWISE SPECIFIED: ± 0.15 mm		APVD L.v.SOEST	HV 100 VERTICAL CONNECTOR DUAL ROW, 7,0mm HEIGHT, TOP ENTRY, GOLD, MAX. 2X36 POSITIONS	
MATERIAL SEE NOTES		PRODUCT SPEC 108-19056	SIZE A3	CAGE CODE 00779
FINISH SEE NOTES		APPLICATION SPEC -	DRAWING NO C-215307	RESTRICTED TO -
CUSTOMER DRAWING		WEIGHT -	SCALE 5:1	SHEET 1 OF 1
			REV E	

Mouser Electronics

Authorized Distributor

Click to View Pricing, Inventory, Delivery & Lifecycle Information:

[TE Connectivity:](#)

[1-215307-7](#)