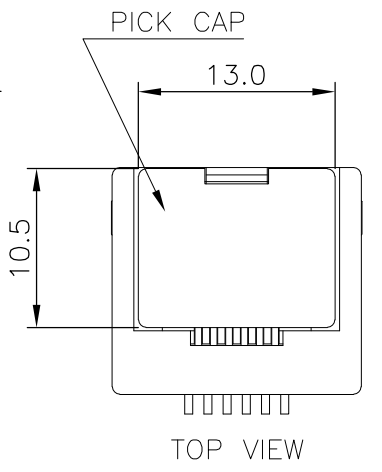
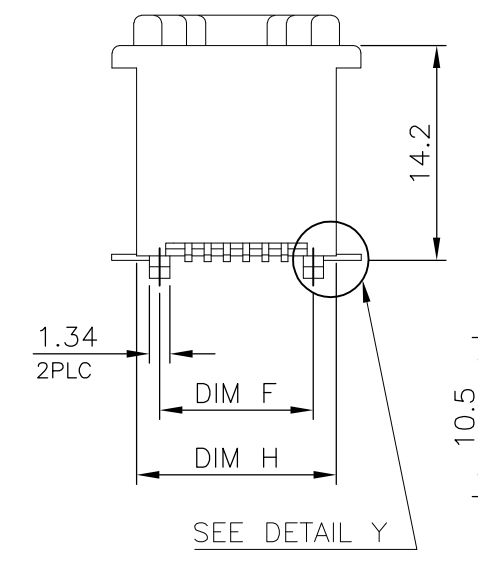
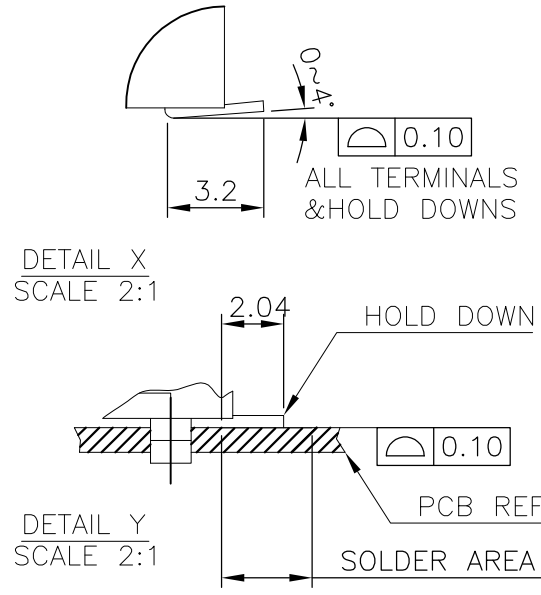
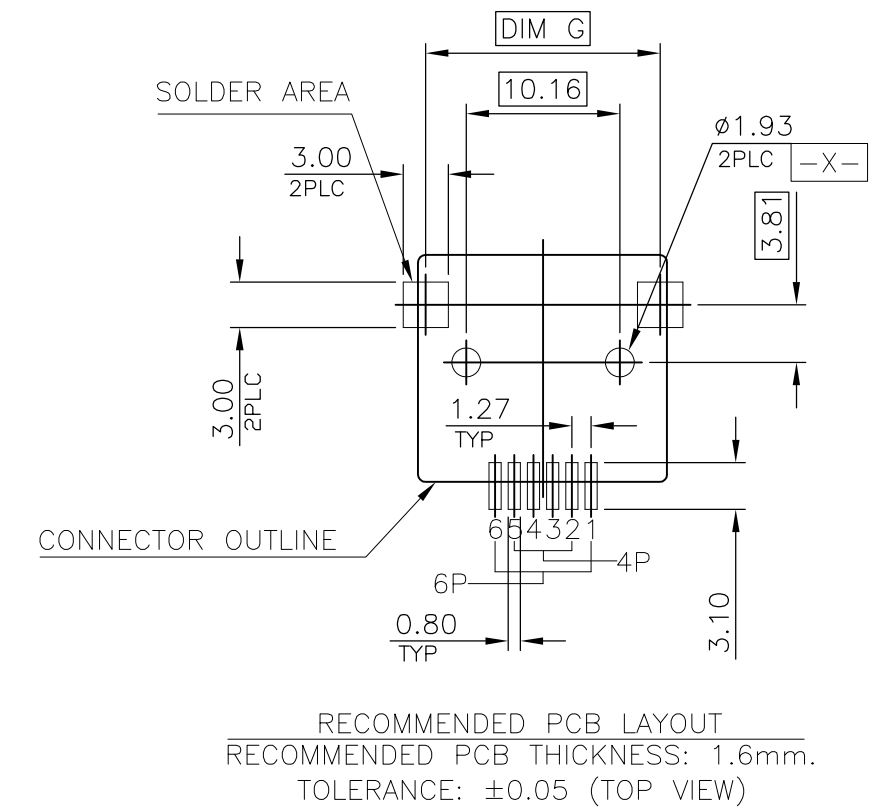
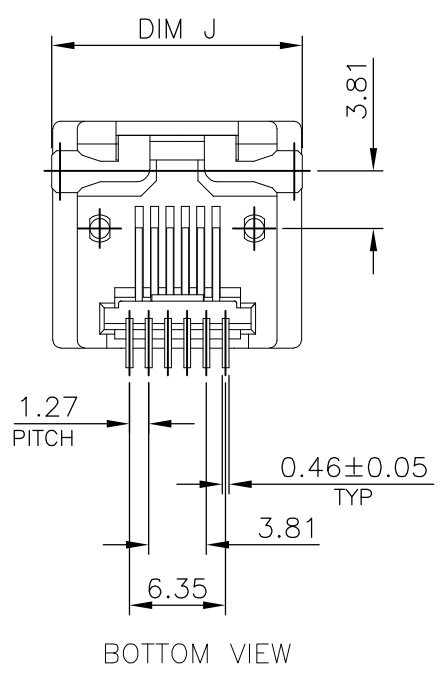
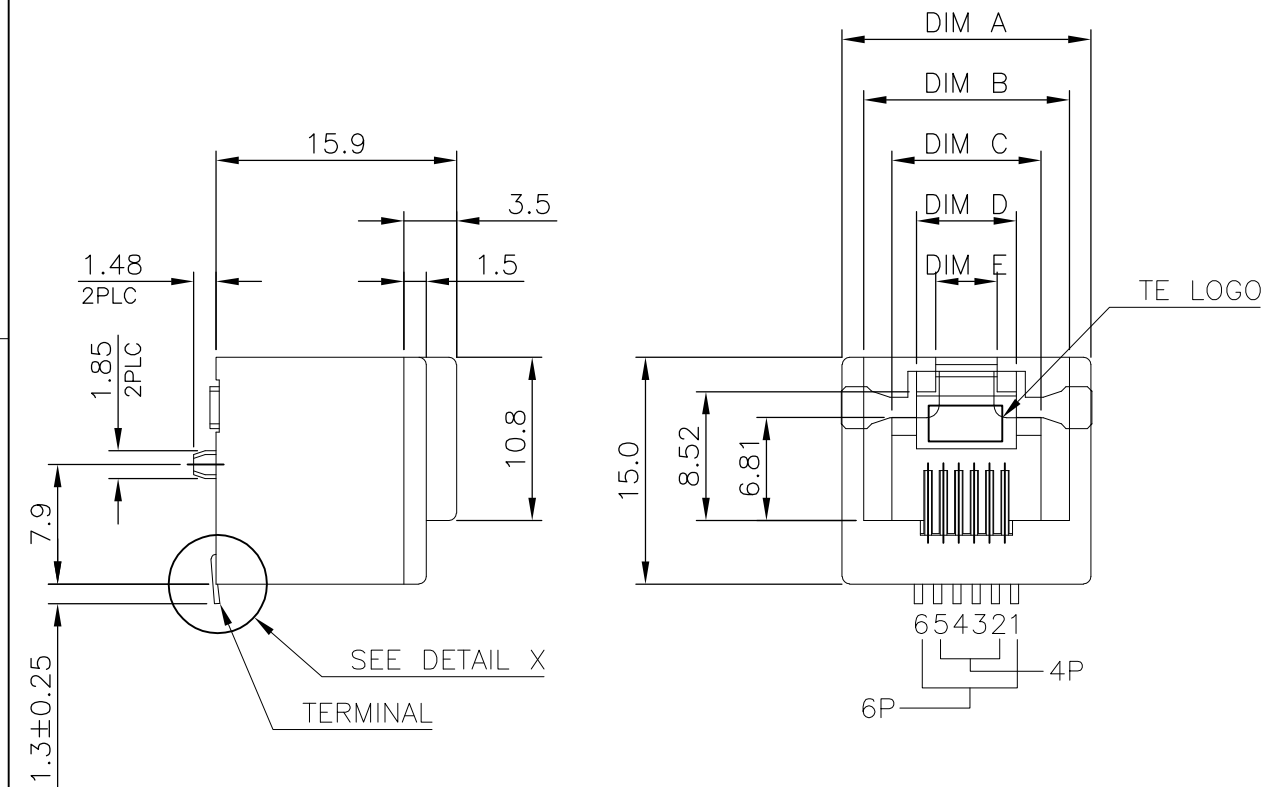


THIS DRAWING IS UNPUBLISHED. RELEASED FOR PUBLICATION
 © COPYRIGHT - TE Connectivity ALL RIGHTS RESERVED.

REVISIONS					
P	LTR	DESCRIPTION	DATE	DWN	APVD
B		ECO-17-008182	01JUN2017	LL	SH



OBSOLETE	DIM J	DIM H	DIM G	DIM F	DIM E	DIM D	DIM C	DIM B	DIM A	RJ11	PICK CAP	WITH	
												MIN. GOLD THICKNESS	PART NUMBER
OBSOLETE	16.50	13.10	15.50	10.16	4.06	6.60	9.87	13.60	16.46	6P6C		1.27μm [50μ"]	1-1734858-8
												0.76μm [30μ"]	1-1734858-7
												0.38μm [15μ"]	1-1734858-6
												0.15μm [6μ"]	1-1734858-5
OBSOLETE	14.50	11.10	13.50	7.62	3.05	5.50	7.87	11.60	14.44	4P4C	WITHOUT	1.27μm [50μ"]	1-1734858-4
												0.76μm [30μ"]	1-1734858-3
												0.38μm [15μ"]	1-1734858-2
												0.15μm [6μ"]	1-1734858-1

NOTE:
 1. MATERIAL:
 1.1 HOUSING: PA9T, WITH 30% GF, UL94 V-0, BLACK COLOR.
 1.2 INSERT HOUSING: PA9T, WITH 30% GF, UL94 V-0, BLACK COLOR.
 1.3 PICK CAP: PA46, WITH 30% GF, UL94 V-0, BLACK COLOR.
 1.4 CONTACTS: PHOSPHOR BRONZE.
 1.5 HOLD DOWN: BRASS.
 2. FINISH:
 2.1 CONTACTS: (SEE TABLE) GOLD PLATED ON CONTACT AREA, GOLD FLASH ON SOLDER TAIL, 1.27um [50u"] MIN. NICKEL UNDERPLATED OVERALL.
 2.2 HOLD DOWN: 2.54um [100u"] MIN. MATTE TIN PLATED.
 3. REFLOW SOLDER CAPABLE TO 260°C PER TEC-109-201, CONDITION B.
 ⚠ OBSOLETE PARTS: OBSOLETE CIS STREAMLINING PER D.RENAUD/D.SINISI

THIS DRAWING IS A CONTROLLED DOCUMENT.

DWN	O. HU	06NOV2007
CHK	S. HOU	06NOV2007
APVD	W. KODAMA	06NOV2007
PRODUCT SPEC	108-57464	
APPLICATION SPEC	-	
MATERIAL	SEE NOTE	FINISH
WEIGHT	3.3	

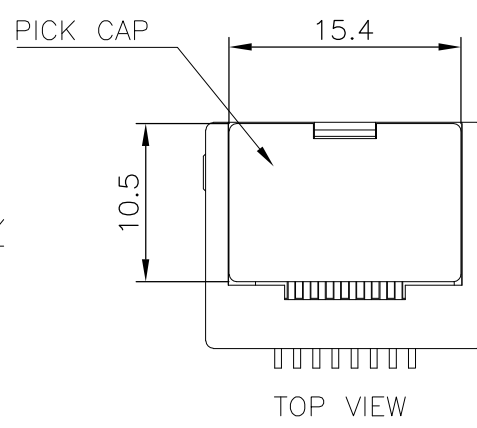
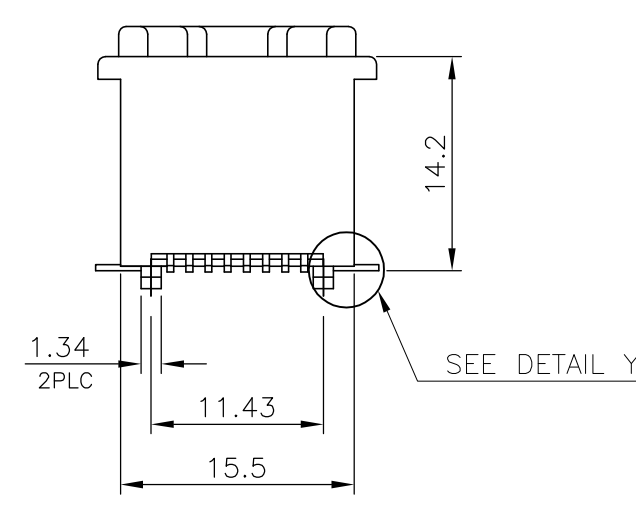
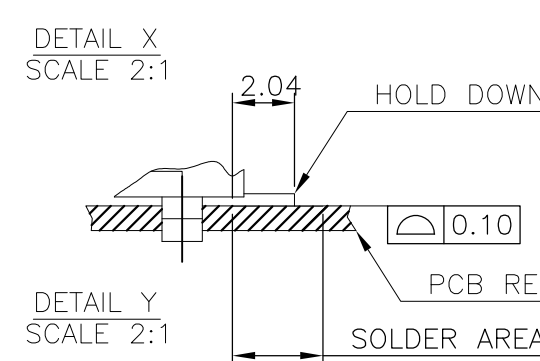
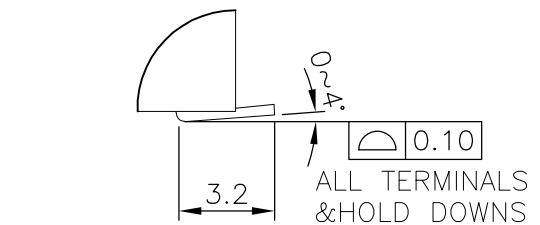
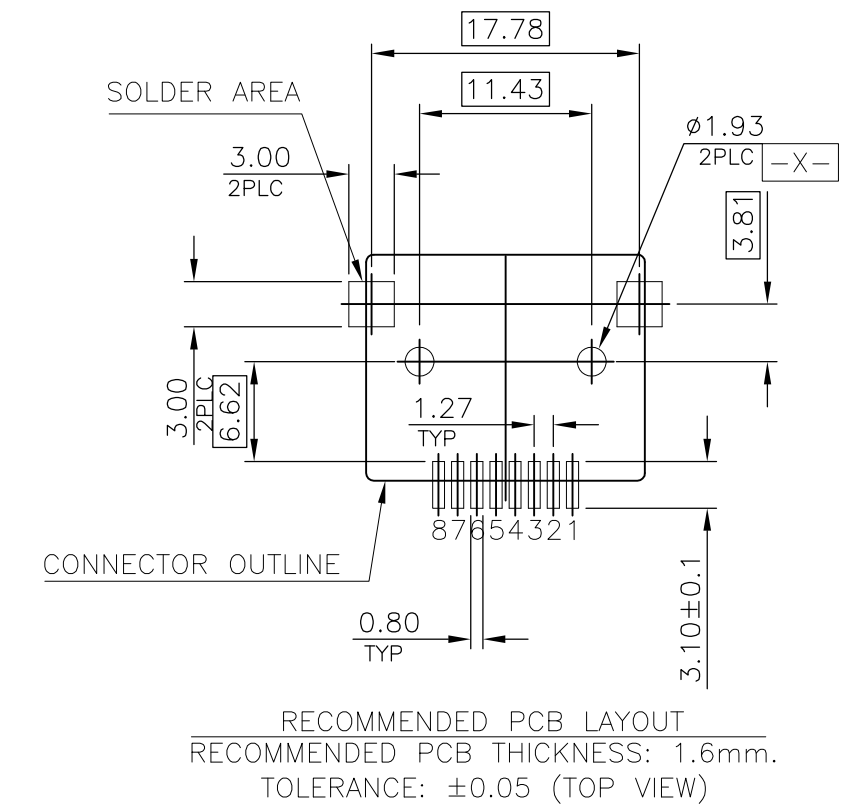
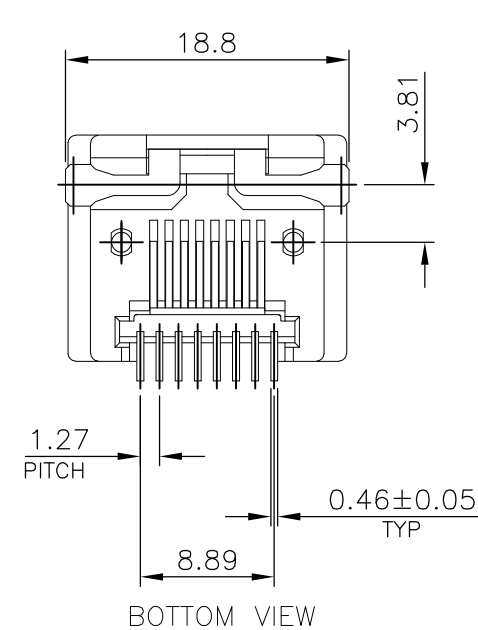
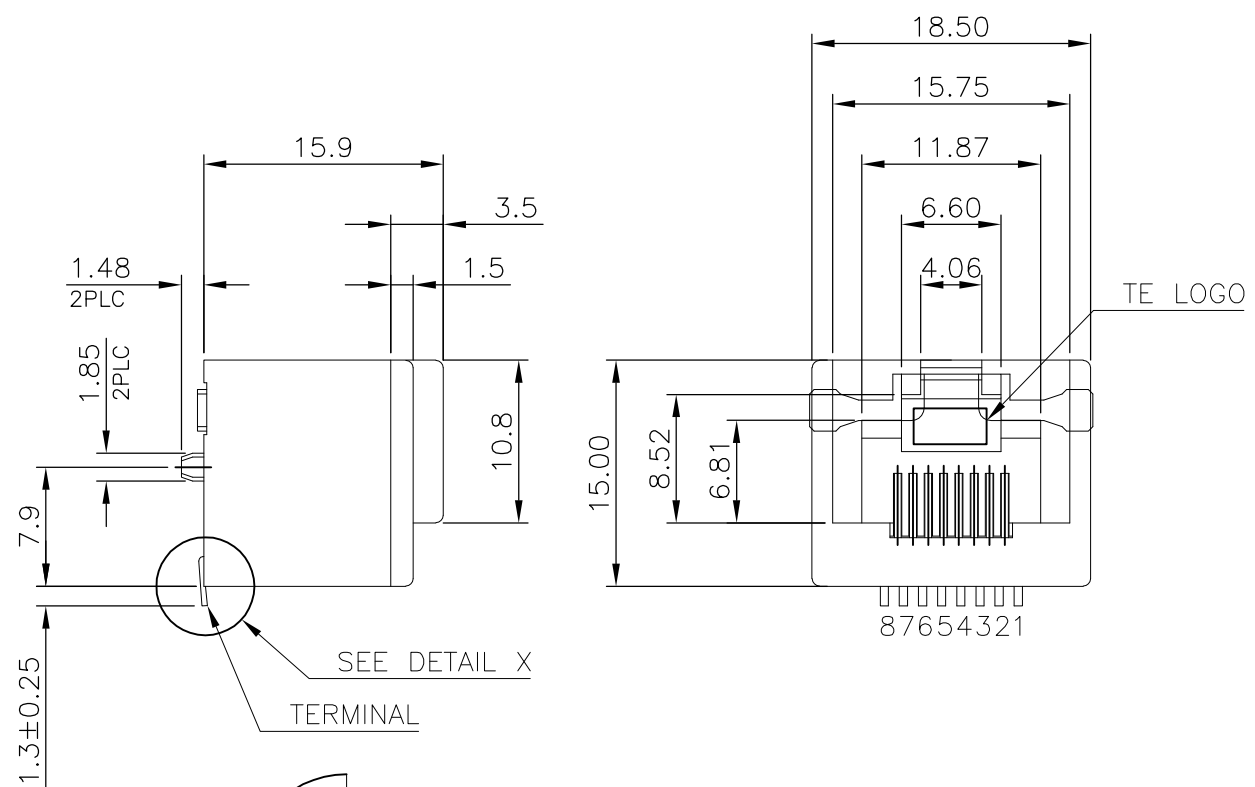
STE TE Connectivity

NAME: MODULAR JACK RJ45/RJ11 TOP ENTRY, SMT TYPE

SIZE	CAGE CODE	DRAWING NO	RESTRICTED TO
A3	00779	C-1734858	-

CUSTOMER DRAWING SCALE 1:1 SHEET 1 OF 3 REV B

P	LTR	DESCRIPTION	DATE	DWN	APVD
-	-	SEE SHEET 1	-	-	-



NOTE:

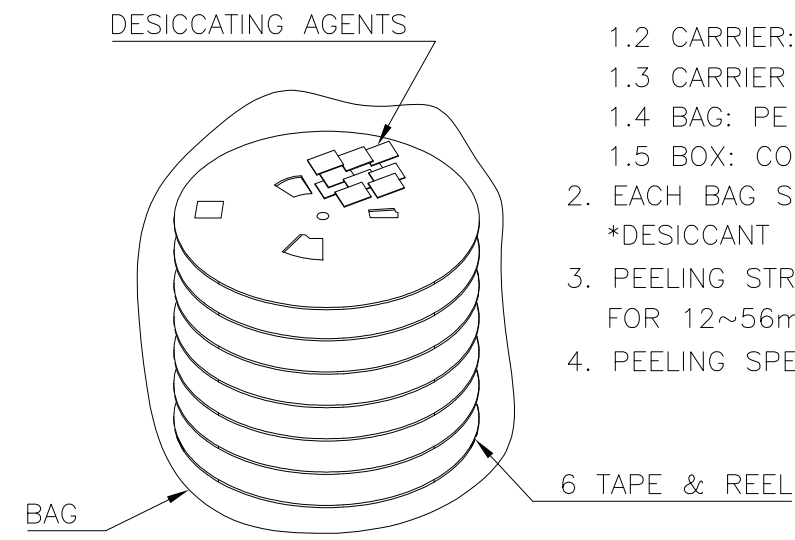
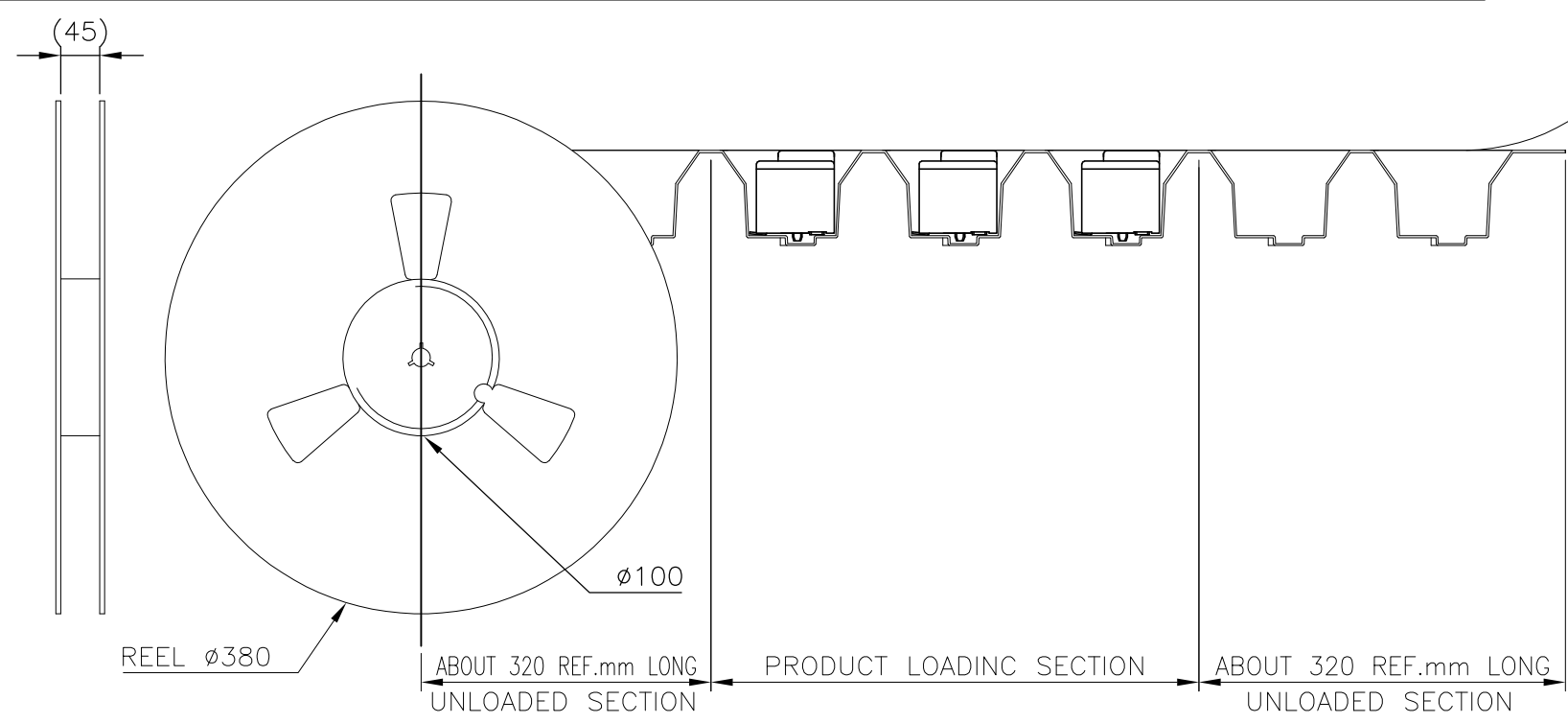
- MATERIAL:
 - HOUSING: PA9T, WITH 30% GF, UL94 V-0, BLACK COLOR.
 - INSERT HOUSING: PA9T, WITH 30% GF, UL94 V-0, BLACK COLOR.
 - PICK CAP: PA46, WITH 30% GF, UL94 V-0, BLACK COLOR.
 - CONTACTS: PHOSPHOR BRONZE.
 - HOLD DOWN: BRASS.
- FINISH:
 - CONTACTS: (SEE TABLE) GOLD PLATED ON CONTACT AREA, GOLD FLASH ON SOLDER TAIL, 1.27um [50u"] MIN. NICKEL UNDERPLATED OVERALL.
 - HOLD DOWN: 2.54um [100u"] MIN. MATTE TIN PLATED.
- REFLOW SOLDER CAPABLE TO 260°C PER TEC-109-201, CONDITION B.
- OBsolete PARTS: OBsolete CIS STREAMLINING PER D.RENAUD/D.SINISI

Symbol	Size	Finish	Material	Part Number
⚠	8P8C	WITH	1.27µm [50µ"]	2-1734858-8
			0.76µm [30µ"]	2-1734858-7
			0.38µm [15µ"]	2-1734858-6
⚠	8P8C	WITHOUT	0.15µm [6µ"]	2-1734858-5
			1.27µm [50µ"]	2-1734858-4
			0.76µm [30µ"]	2-1334858-3
	RJ45	PICK CAP	MIN.GOLD THICKNESS	PART NUMBER

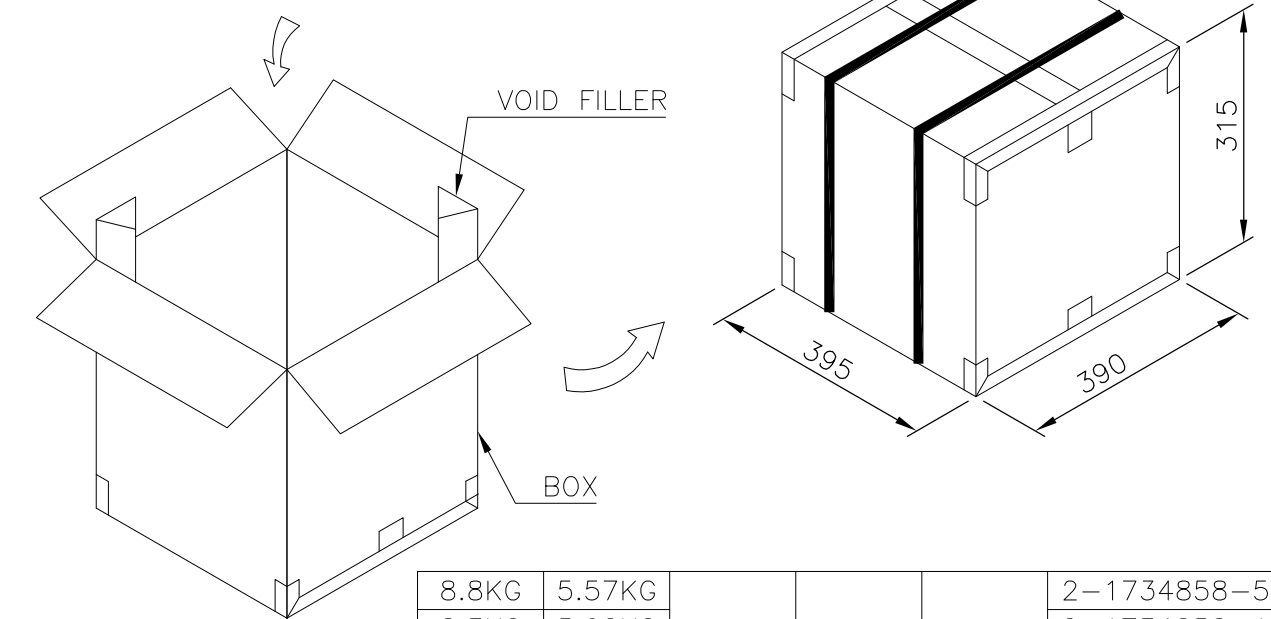
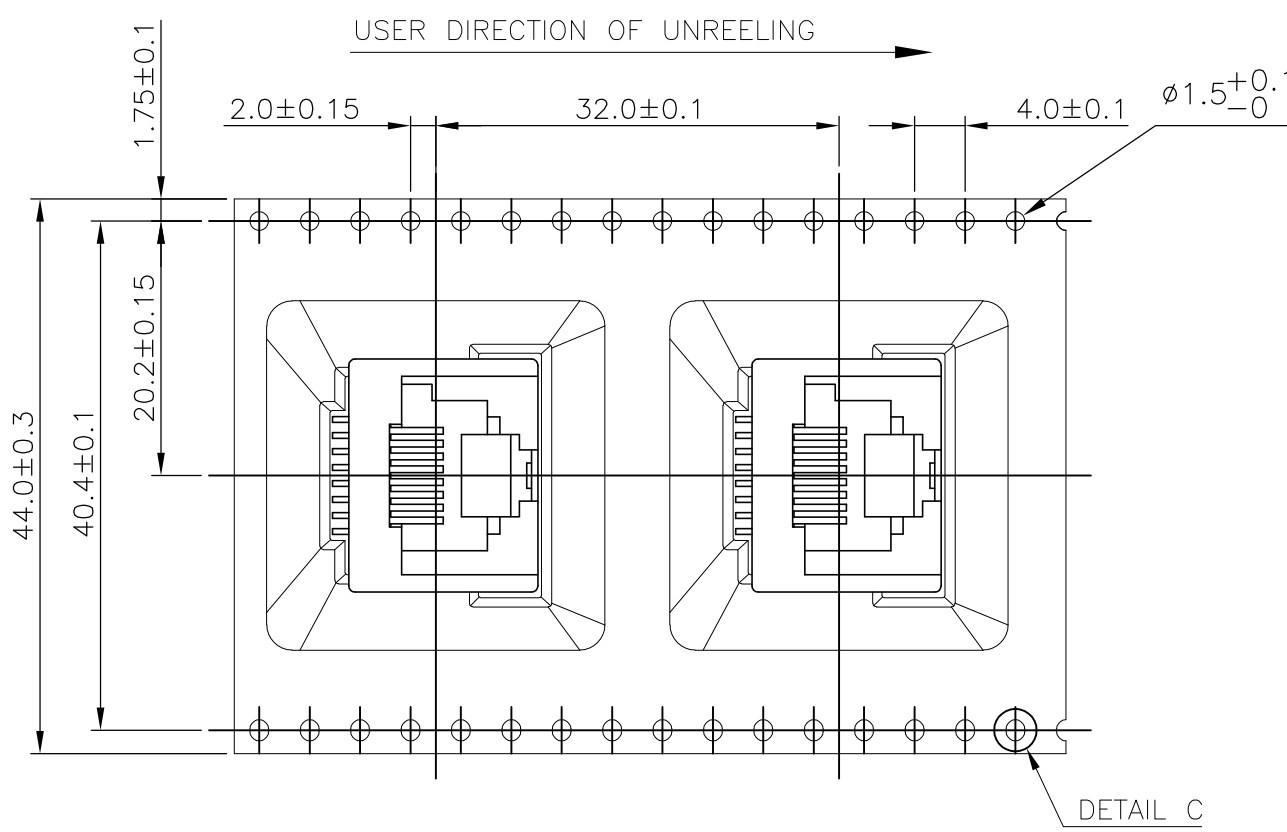
THIS DRAWING IS A CONTROLLED DOCUMENT.		DWN O. HU 06NOV2007															
DIMENSIONS: mm		CHK S. HOU 06NOV2007															
TOLERANCES UNLESS OTHERWISE SPECIFIED:		APVD W. KODAMA 06NOV2007	NAME														
<table border="1"> <tr><td>0 PLC</td><td>± -</td></tr> <tr><td>1 PLC</td><td>± 0.3</td></tr> <tr><td>2 PLC</td><td>± 0.2</td></tr> <tr><td>3 PLC</td><td>± 0.15</td></tr> <tr><td>4 PLC</td><td>± -</td></tr> <tr><td>ANGLES</td><td>± -</td></tr> </table>		0 PLC	± -	1 PLC	± 0.3	2 PLC	± 0.2	3 PLC	± 0.15	4 PLC	± -	ANGLES	± -	PRODUCT SPEC 108-57464	MODULAR JACK RJ45/RJ11 TOP ENTRY, SMT TYPE		
0 PLC	± -																
1 PLC	± 0.3																
2 PLC	± 0.2																
3 PLC	± 0.15																
4 PLC	± -																
ANGLES	± -																
MATERIAL SEE NOTE		FINISH SEE NOTE	APPLICATION SPEC -	SIZE A3	CAGE CODE 00779												
		WEIGHT 3.3	DRAWING NO C-1734858	RESTRICTED TO -													
CUSTOMER DRAWING			SCALE 1:1	SHEET 2 of 3	REV B												

THIS DRAWING IS UNPUBLISHED. RELEASED FOR PUBLICATION
 © COPYRIGHT - TE Connectivity ALL RIGHTS RESERVED.

REVISIONS					
P	LTR	DESCRIPTION	DATE	DWN	APVD
-	-	SEE SHEET 1	-	-	-

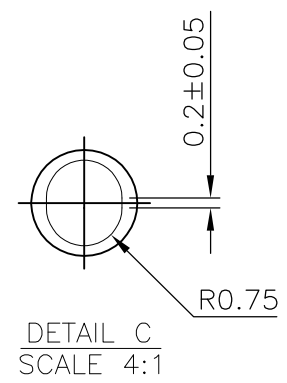
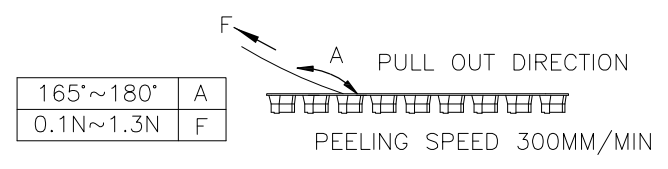


- NOTE:
- PACKAGING MATERIAL:
 - COVER TAPE: COMPOSITE OF POLYETHYLENE TEREPHTHALATE (PET)
 - CARRIER: POLYSTYRENE (PS)
 - CARRIER REEL: CORRUGATED FIBER
 - BAG: PE
 - BOX: CORRUGATED FIBER.
 - EACH BAG SHALL BE INCLUDED:
 - *DESICCANT
 - PEELING STRENGTH: 0.1~1.3N(1~130 GRAMS) FOR 12~56mm WIDE CARRIER TAPES
 - PEELING SPEED: 300mm/MINUTES.



8.8KG	5.57KG				2-1734858-5~8
8.3KG	5.02KG				2-1734858-1~4
8.1KG	4.91KG	150	6	900	1-1734858-5~8
7.7KG	4.49KG				1-1734858-1~4
7.1KG	3.88KG				1734858-X
GROSS WEIGHT	NET WEIGHT	PCS/ REEL	REEL/ BOX	PCS/ BOX	PART NUMBER

* COVER TAPE PEELING FORCE:



THIS DRAWING IS A CONTROLLED DOCUMENT.

DWN	O. HU	06NOV2007	TE Connectivity MODULAR JACK RJ45/RJ11 TOP ENTRY, SMT TYPE				
CHK	S. HOU	06NOV2007					
APVD	W. KODAMA	06NOV2007					
PRODUCT SPEC	108-57464						
APPLICATION SPEC	-		SIZE	CAGE CODE	DRAWING NO	RESTRICTED TO	
MATERIAL	SEE NOTE	FINISH	WEIGHT	3.3	A300779	C-1734858	-
CUSTOMER DRAWING			SCALE	1:1	SHEET	3 OF 3	REV B

Mouser Electronics

Authorized Distributor

Click to View Pricing, Inventory, Delivery & Lifecycle Information:

[TE Connectivity:](#)

[1-1734858-3](#)