

RxE400 Series

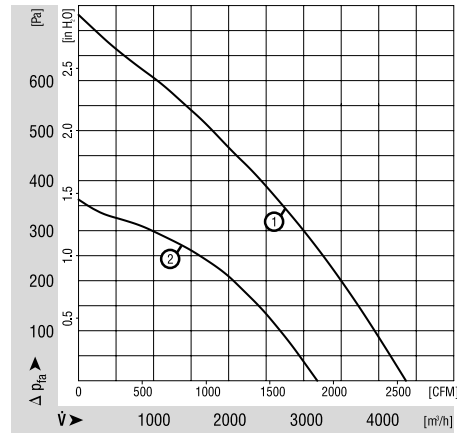
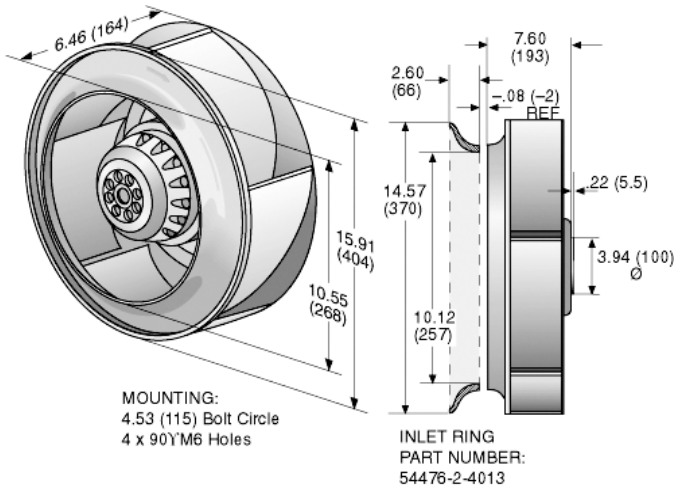
Motorized Impeller



Ø 400mm Backward Curved 3D Impeller

- These new backward curved centrifugal fans feature twofold-curved blades. These impellers have improved efficiency and reduced noise.
- Impeller completely made of aluminum.
- Maintenance-free ball bearings.
- Insulation class "F". Cable exit: variable. Direction of rotation is CW as seen from intake side.
- UL, CSA, VDE approvals on most models, please contact application engineering.
- Recommended inlet ring: 54476-2-4013.

Part Number	Curve	CFM @ D	VAC	Hertz	Power (W)	dBA	Max. Amb. Temp. C	Capacitor (µF)	Speed (RPM)	Wgt. (lbs)
R4E400-AP15-10	1	2589	115	60	635	74	50	40	1570	19
R6E400-AL10-10	2	1825	115	60	305	63	60	30	1110	14.6
R4E400-AP17-11	1	2589	230	60	635	74	50	10	1580	19
R6E400-AL12-11	2	1816	230	60	270	63	60	7	1110	14.6
R4E400-AP13-09	1	2589	277	60	625	74	50	8	1610	19
R6E400-AL08-09	2	1816	277	60	245	63	60	5	1110	14.6



Mouser Electronics

Authorized Distributor

Click to View Pricing, Inventory, Delivery & Lifecycle Information:

[ebm-papst:](#)

[R4E400-AP13-09](#) [R4E400-AP15-10](#) [R4E400-AP17-11](#) [R6E400-AL08-09](#) [R6E400-AL10-10](#) [R6E400-AL12-11](#)
[R4E400-AP15-12](#) [R4E400-AP17-06](#)