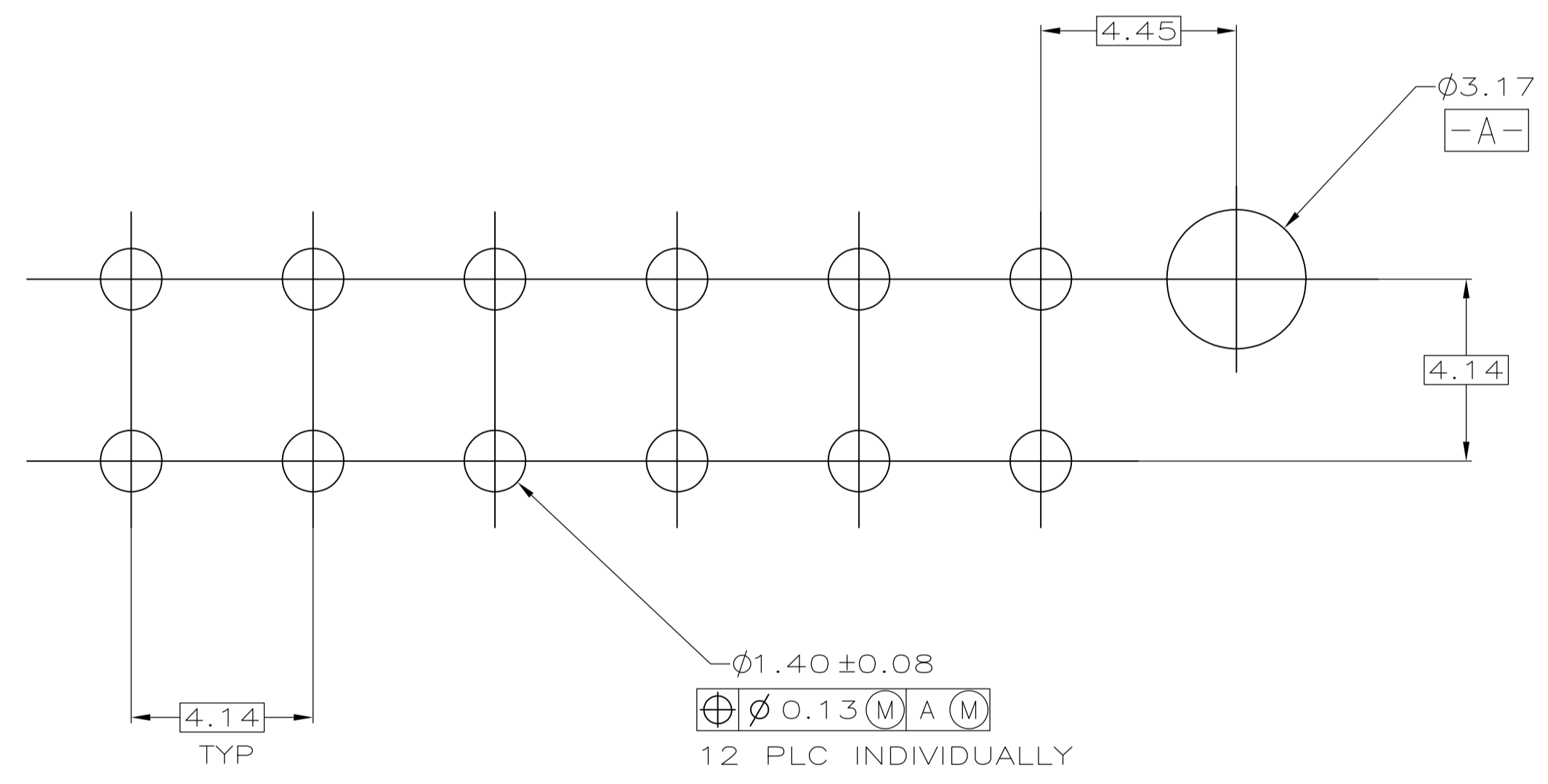
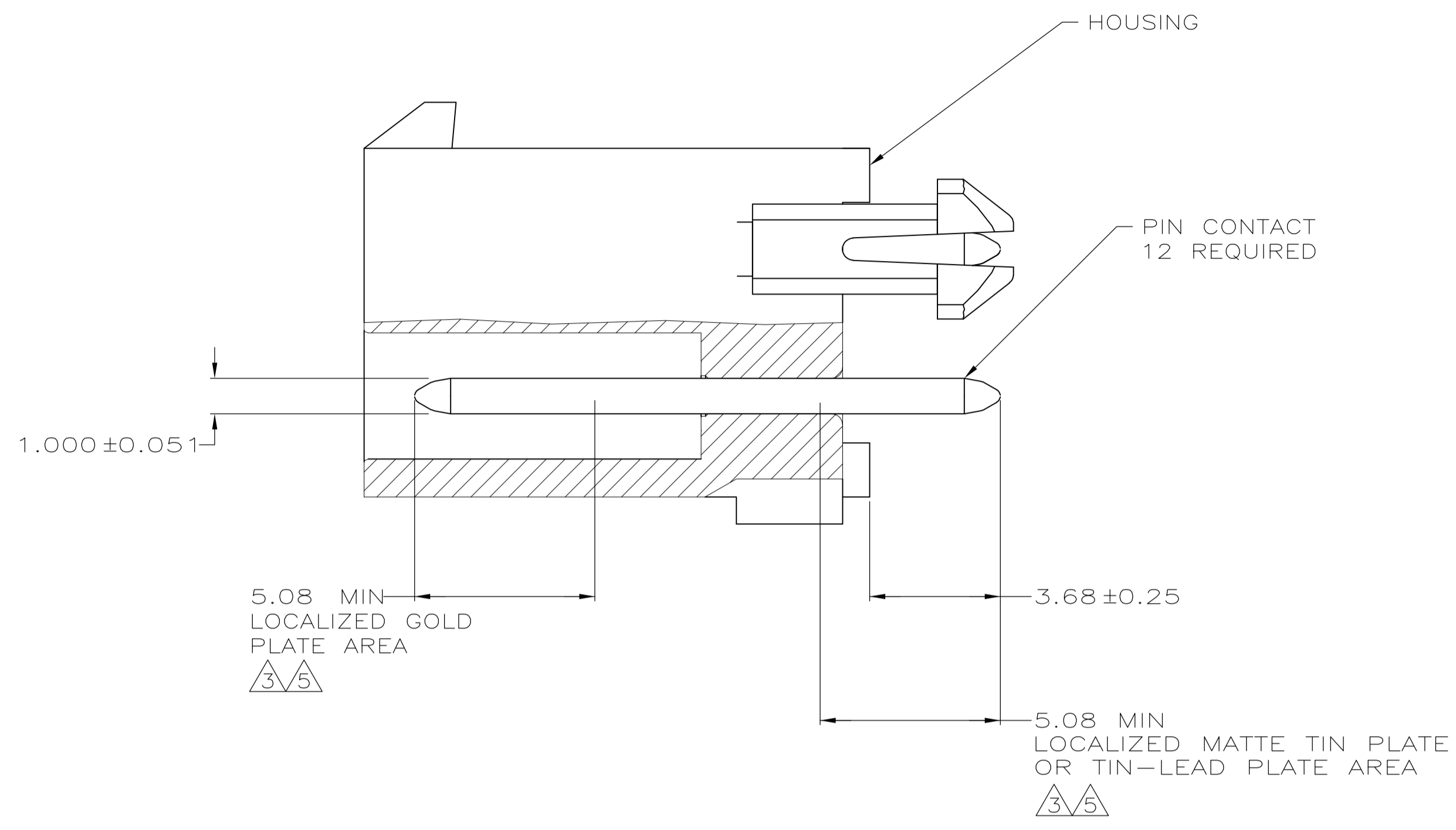
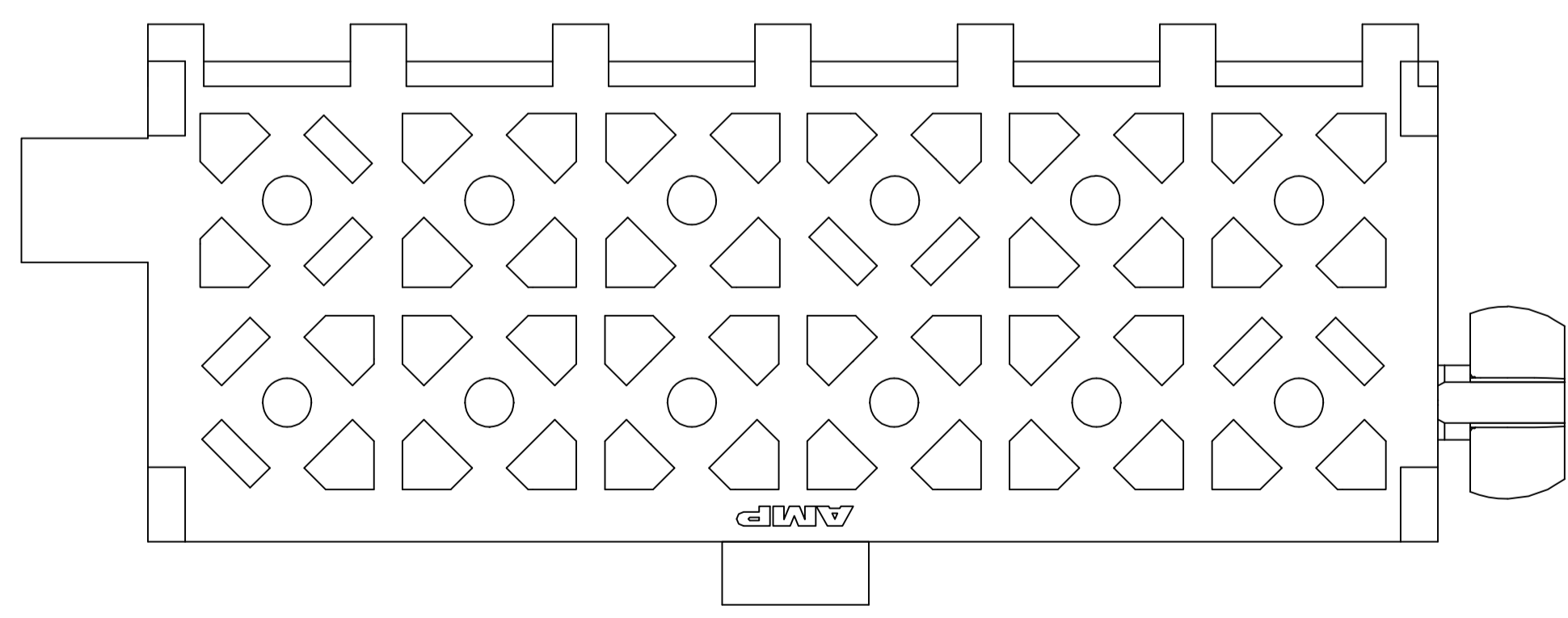
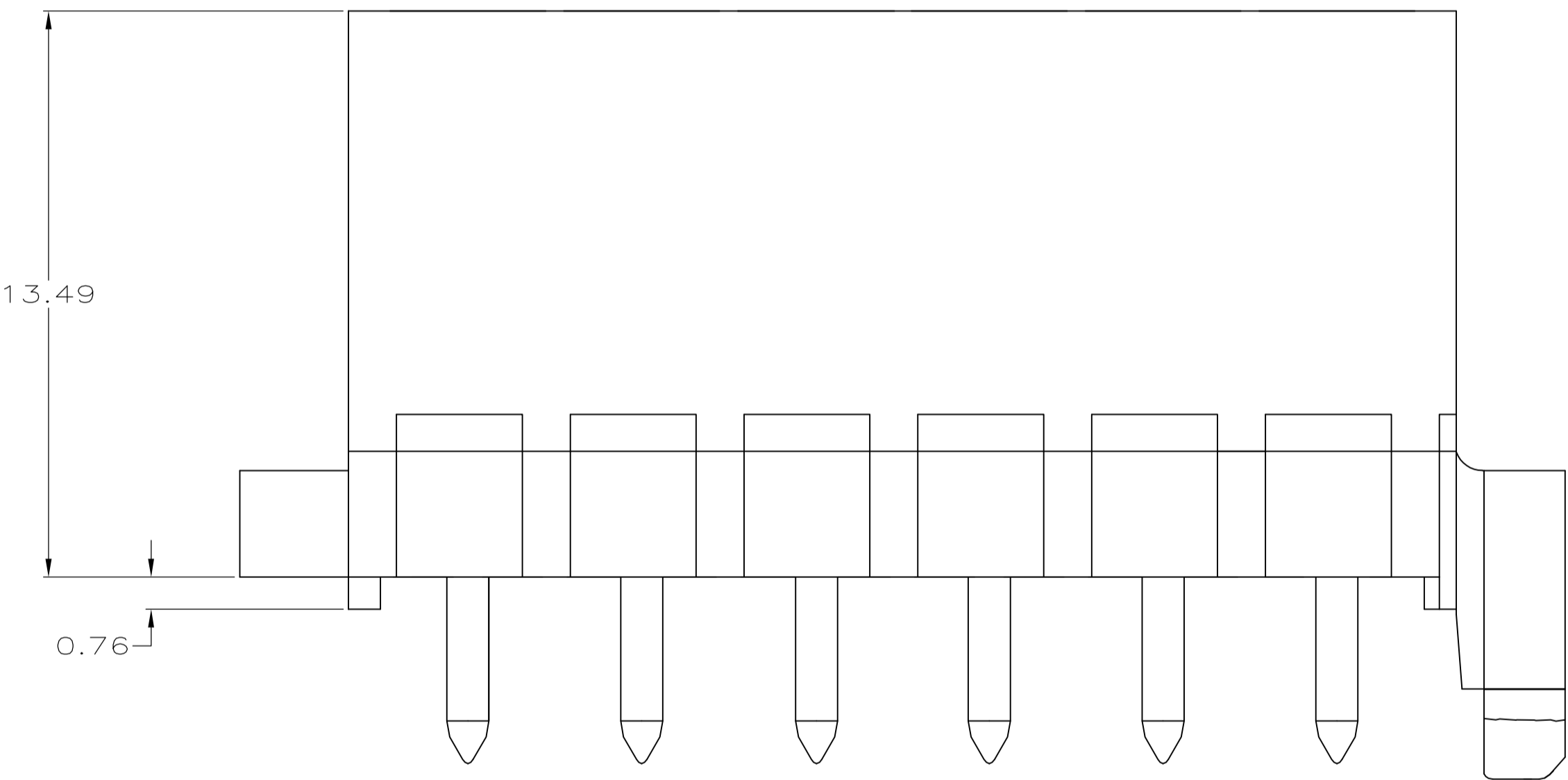
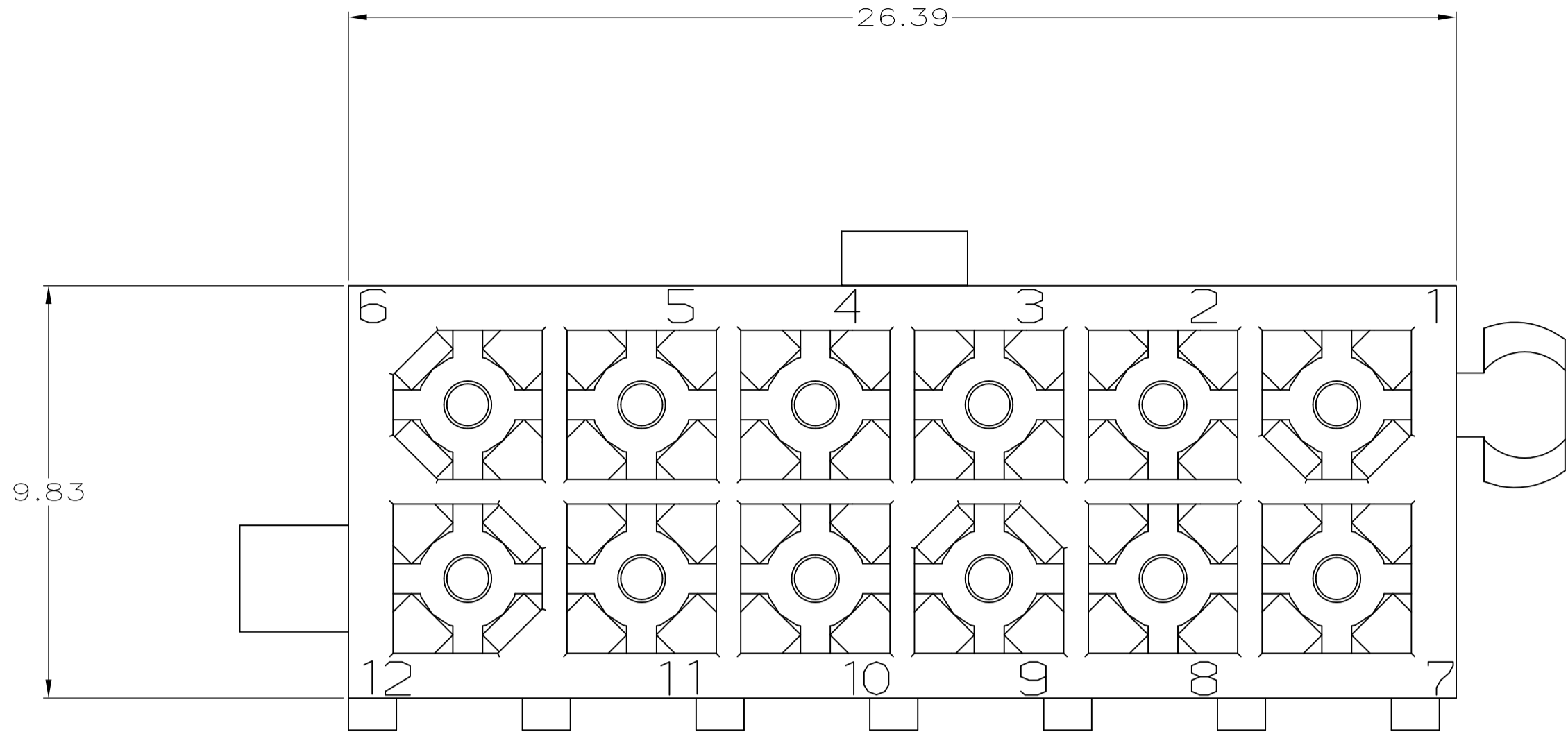


LOC		DIST		REVISIONS			
P	LTR	DESCRIPTION	DATE	DWN	APVD		
D		REVISED PER ECR-15-010337	24JUL2015	RK	SC		



RECOMMENDED MOUNTING HOLE PATTERN FOR 1.57 THICK P.C. BOARD

- PINS TO COMPLY WITH AMP SOLDERABILITY SPEC. 109-11-3.
- 0.00381 MIN MATTE TIN LEAD PLATE OVER 0.00127 MIN NICKEL.
- 0.00076 MIN GOLD PLATE IN THE LOCALIZED PLATE AREA, 0.00381 MATTE TIN LEAD IN THE LOCALIZED PLATE AREA, BOTH OVER 0.00127 MIN NICKEL.
- 0.00381 MIN MATTE TIN PLATE OVER 0.00127 MIN NICKEL.
- 0.00076 MIN GOLD PLATE IN THE LOCALIZED PLATE AREA, 0.00381 MATTE TIN IN THE LOCALIZED PLATE AREA, BOTH OVER 0.00127 MIN NICKEL.

MATERIAL	FINISH	HOUSING MATERIAL AND COLOR	PART NUMBER
BRASS, GOLD	△	NYLON, 94V-0, WHITE	1-794066-1
BRASS, TIN	△	NYLON, 94V-0, WHITE	1-794066-0
BRASS, GOLD	△	NYLON, 94V-0, WHITE	794066-2
BRASS, TIN LEAD	△	NYLON, 94V-0, WHITE	794066-1

THIS DRAWING IS A CONTROLLED DOCUMENT.

DIMENSIONS: mm	TOLERANCES UNLESS OTHERWISE SPECIFIED:	DIN K WHITAKER 6-12-95	CHK R SWING 6-12-95	APVD R ORSTAD 6-13-95	NAME
0. PLC ± -	1. PLC ± -				PRODUCT SPEC
2. PLC ± 0.13	3. PLC ± -				APPLICATION SPEC
4. PLC ± -	ANGLES ± -				SIZE
MATERIAL SEE TABLE	FINISH SEE TABLE	WEIGHT	SCALE	8:1	SHEET 1 OF 1
CUSTOMER DRAWING		00779	794066		REV D

STE TE Connectivity

HEADER ASSEMBLY, 12 CIRCUIT, DOUBLE ROW VERTICAL, MINI-UNIVERSAL MATE-N-LOK

Mouser Electronics

Authorized Distributor

Click to View Pricing, Inventory, Delivery & Lifecycle Information:

[TE Connectivity:](#)

[794066-2](#)