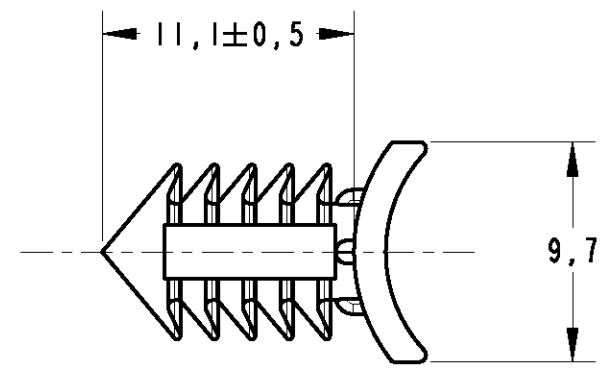
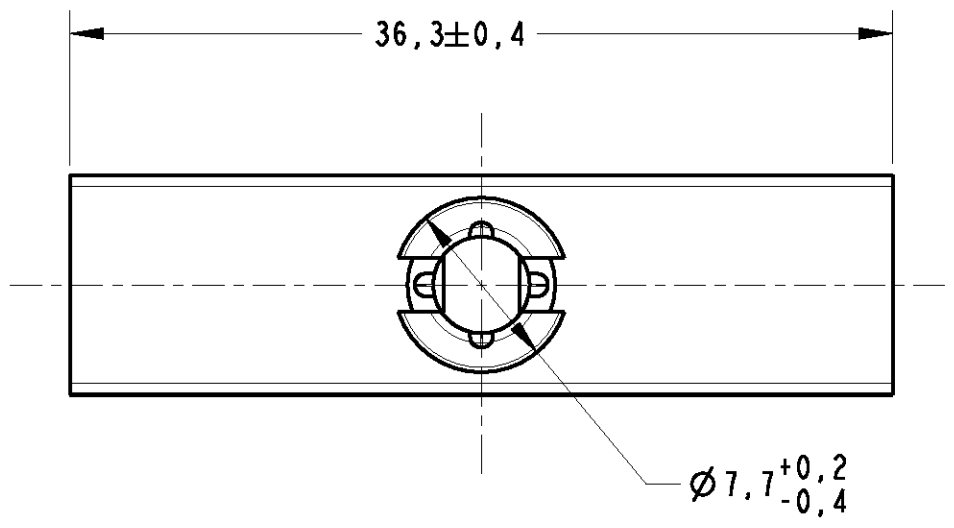
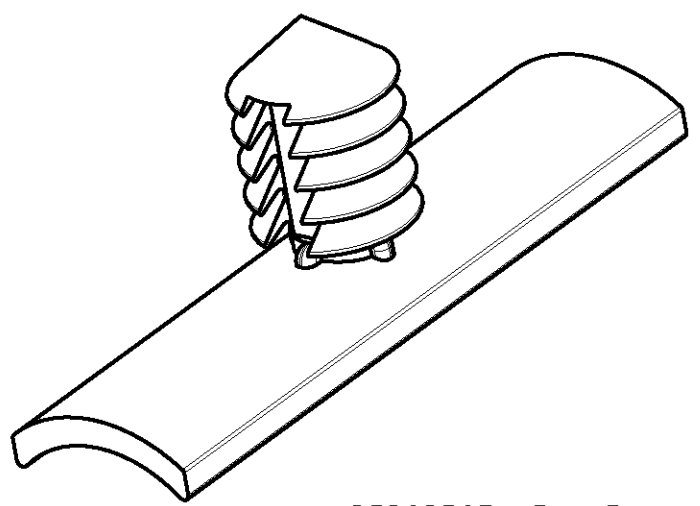


THIS DRAWING IS UNPUBLISHED. RELEASED FOR PUBLICATION 20  
 © COPYRIGHT 20 BY TYCO ELECTRONICS CORPORATION. ALL RIGHTS RESERVED.

LOC	DIST	REVISIONS					
AP	-	P	LTR	DESCRIPTION	DATE	DWN	APVD
		0		WAS 98-29234-001	16SEP99	MRB	PLF
		A		DASH 2 ADDED EC-485/01	19OCT01	MRB	PLF
		B		CHANGE STATUS ECO-08-006615	12JUN2008	NCL	LWP



GRAVAÇÃO MARKING
LOGOTIPO TE TE LOGO
CÓDIGO PAÍS PRODUTOR MANUFACTURER COUNTRY CODE
NOMENCLATURA MATERIAL MATERIAL NOMENCLATURE
NÚMERO CAVIDADE CAVITY NUMBER
REV+ LETRA REV. DA PEÇA REV. + PART REV. LETTER



PERSPECTIVE VIEW  
SCALE 3:1

PRETO / BLACK	P A-6.6	493575 - 2
NATURAL	P A-6.6	493575 - 1
<b>FINISH</b>	<b>MATERIAL</b>	<b>PART NUMBER</b>

THIS DRAWING IS A CONTROLLED DOCUMENT FOR TYCO ELECTRONICS CORPORATION. IT IS SUBJECT TO CHANGE AND THE CONTROLLING ENGINEERING ORGANIZATION SHOULD BE CONTACTED FOR THE LATEST REVISION.		DWN <b>M.R. BRIZ</b> 15SEP99	Tyco Electronics TYCO ELECTRONICS do Brasil LTDA. São Paulo, Brasil	
DIMENSIONS: mm		CHK <b>P.L. FARIA</b> 16SEP99	NAME - <b>CHRISTMAS TREE</b> -	
TOLERANCES UNLESS OTHERWISE SPECIFIED: 0 PLC ±- 1 PLC ±0,3 2 PLC ±- 3 PLC ±- 4 PLC ±- ANGLES ±P		APVD <b>P.R. SILVA</b> 16SEP99		
MATERIAL SEE TABLE		FINISH SEE TABLE	PRODUCT SPEC -	APPLICATION SPEC -
		WEIGHT -	SIZE A3	CAGE CODE 00779
			DRAWING NO C-493575	RESTRICTED TO -
		CUSTOMER DRAWING	SCALE 3:1	SHEET OF REV B

# Mouser Electronics

Authorized Distributor

Click to View Pricing, Inventory, Delivery & Lifecycle Information:

[TE Connectivity:](#)

[493575-1](#)