

# 40x40x28 mm

San Ace 40 9P type    Model 109P0424R3013 is not certified.



## General Specifications

- Material ..... Frame: Plastic (Flammability: UL 94V-0), Impeller: Plastic (Flammability: UL 94V-1)
- Expected life ..... See the table below. (L10 life: 90% survival rate for continuous operation in free air at 60°C, rated voltage)
- Motor protection function ..... Locked rotor burnout protection, Reverse polarity protection  
For details, please refer to p. 529.
- Dielectric strength ..... 50/60 Hz, 500 VAC, for 1 minute (between lead wire conductors and frame)
- Insulation resistance ..... 10 MΩ or more with a 500 VDC megger (between lead wire conductors and frame)
- Sound pressure level (SPL) ..... At 1 m away from the air inlet
- Storage temperature ..... -30 to +70°C (Non-condensing)
- Lead wire ..... ⊕Red ⊖Black or Blue (Sensor) Yellow
- Mass ..... 52 g

## Specifications

The models listed below **have ribs and pulse sensors.**

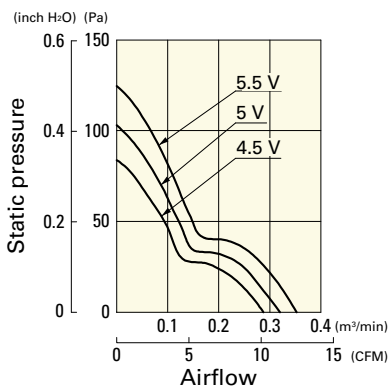
Model no.	Rated voltage [V]	Operating voltage range [V]	Rated current [A]	Rated input [W]	Rated speed [min <sup>-1</sup> ]	Max. airflow [m <sup>3</sup> /min] [CFM]	Max. static pressure [Pa] [inchH <sub>2</sub> O]	SPL [dB (A)]	Operating temperature [°C]	Expected life [h]		
109P0405H3013	5	4.5 to 5.5	0.68	3.4	8700	0.32 11.3	102.9 0.414	37	-20 to +70	40000/60°C		
109P0405F3013			0.28	1.4	6700	0.244 8.6	58.8 0.236	30		60000/60°C		
109P0412K3013	12	8 to 13.2	0.55	6.6	15500	0.59 20.8	340 1.365	50	-20 to +60	40000/60°C		
109P0412J3013			0.35	4.2	12500	0.46 16.2	210 0.843	44				
109P0412G3013		7 to 13.8	0.31	3.72	11500	0.42 14.8	179 0.719	42				
109P0412B3013			0.28	3.36	10300	0.38 13.4	143 0.574	40				
109P0412H3013			0.195	2.34	8700	0.32 11.3	102.9 0.414	37				
109P0412F3013			0.105	1.26	6700	0.244 8.6	58.8 0.236	30				
109P0412M3013	10.2 to 13.8	0.045	0.54	4100	0.15 5.3	21.6 0.087	20	-20 to +70	60000/60°C			
109P0424R3013	24	12 to 26.4	0.25	6	14000	0.51 18.0	263.4 1.057	47	-20 to +60	40000/60°C		
109P0424J3013			0.18	4.32	12500	0.46 16.2	210 0.843	44				
109P0424G3013			0.19	4.56	11500	0.42 14.8	179 0.719	42				
109P0424B3013			0.13	3.12	10300	0.38 13.4	143 0.574	40				
109P0424H3013		12 to 27.6	0.095	2.28	8700	0.32 11.3	102.9 0.414	37			-20 to +70	60000/60°C
109P0424F3013		14 to 27.6	0.055	1.32	6700	0.244 8.6	58.8 0.236	30				

Other sensor specifications are available as options. Refer to the index (pp. 543 to 544).

## Airflow - Static Pressure Characteristics

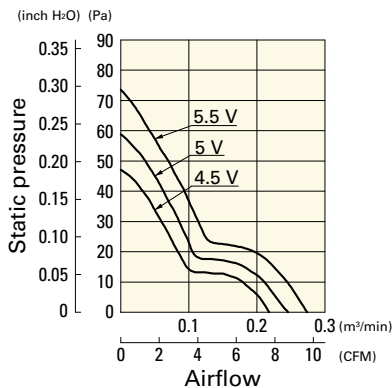
**109P0405H3013** With pulse sensor

Operating voltage range



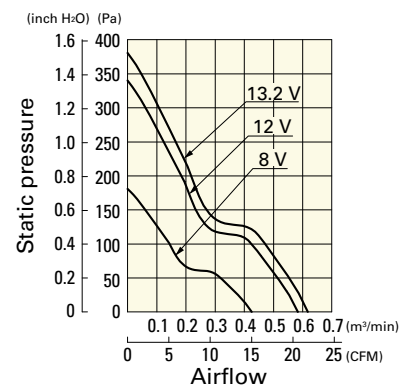
**109P0405F3013** With pulse sensor

Operating voltage range



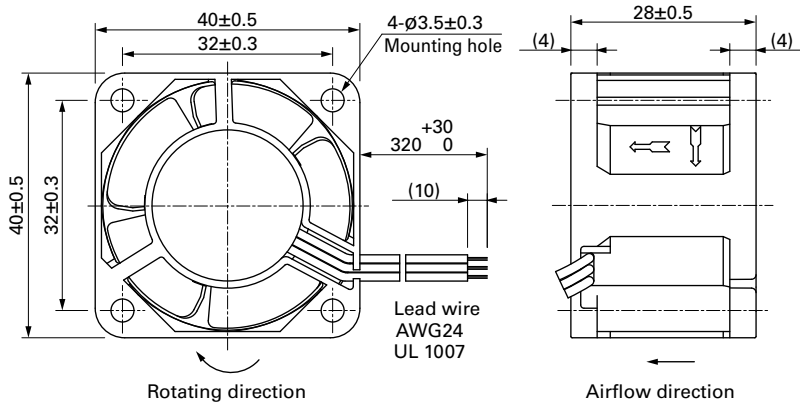
**109P0412K3013** With pulse sensor

Operating voltage range

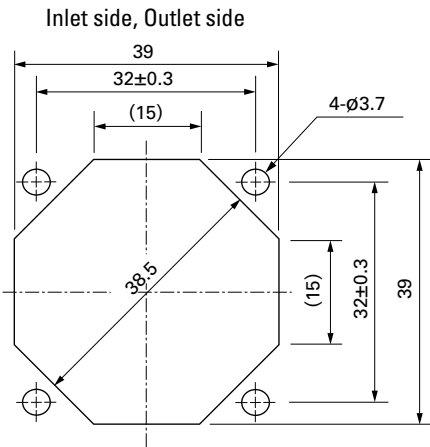




**Dimensions (unit: mm)**



**Reference Dimensions of Mounting Holes and Vent Opening (unit: mm)**



**Options**

Finger guards

page: p. 513

Model no.: 109-059, 109-059H

# Mouser Electronics

Authorized Distributor

Click to View Pricing, Inventory, Delivery & Lifecycle Information:

## Sanyo Denki:

[109P0405F3013](#) [109P0405H3013](#) [109P0412B3013](#) [109P0412F3013](#) [109P0412G3013](#) [109P0412H3013](#)  
[109P0412J3013](#) [109P0412K3013](#) [109P0412M3013](#) [109P0424B3013](#) [109P0424F3013](#) [109P0424G3013](#)  
[109P0424H3013](#) [109P0424J3013](#) [109P0424H3023](#) [9PH0412P3K033](#) [109P0412B3023](#) [109P0424J3023](#)  
[109P0405H3023](#) [109P0412F3023](#) [109P0412G3023](#) [109P0424R3013](#) [109P0412P3H013](#) [109P0412F3D013](#)  
[109P0412H3023](#) [109P0424H3D013](#) [109P0412M3D013](#) [109P0412H3D013](#) [109P0424G3D013](#) [109P0412K3D013](#)  
[109P0424G3023](#) [109P0424F3023](#) [109P0424B3D013](#) [109P0424J3D013](#) [109P0412J3D013](#) [109P0424B3023](#)  
[109P0412J3023](#) [109P0424F3D013](#) [109P0412G3D013](#) [109P0412M3023](#) [109P0412B3D013](#) [109P0405F3D013](#)  
[109P0405F3023](#) [109P0405H3D013](#) [9PH0412P3J013](#)