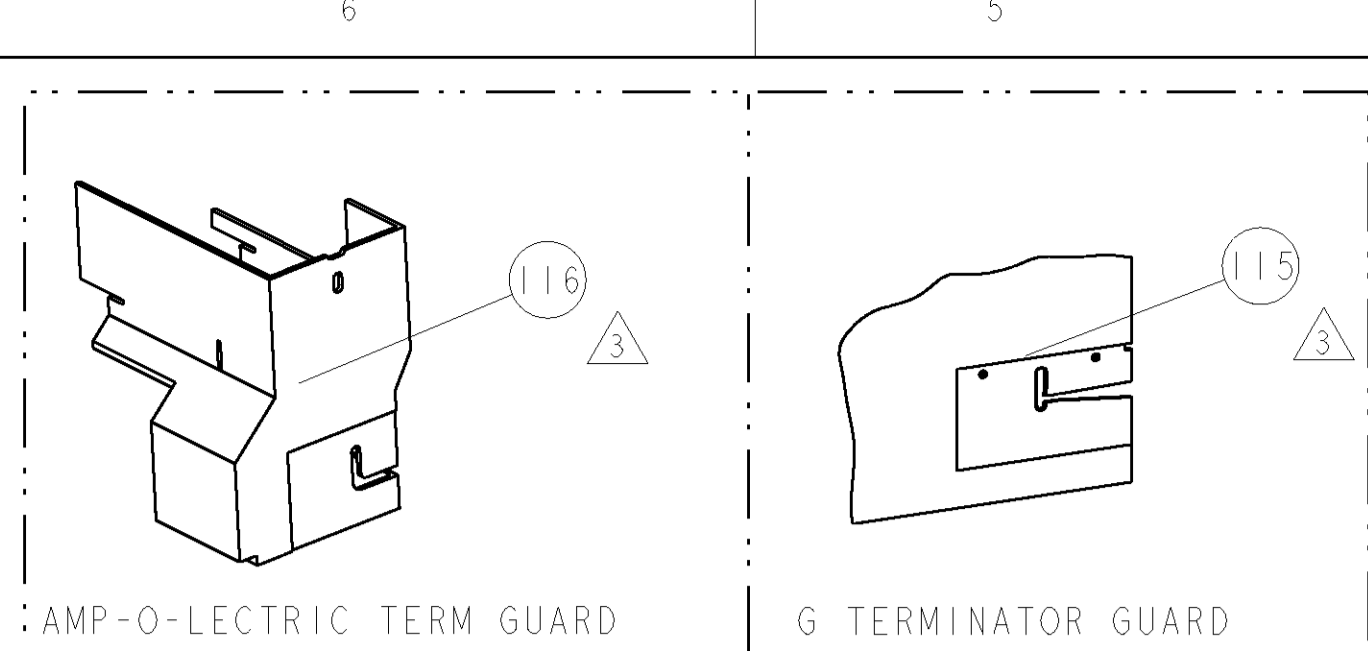


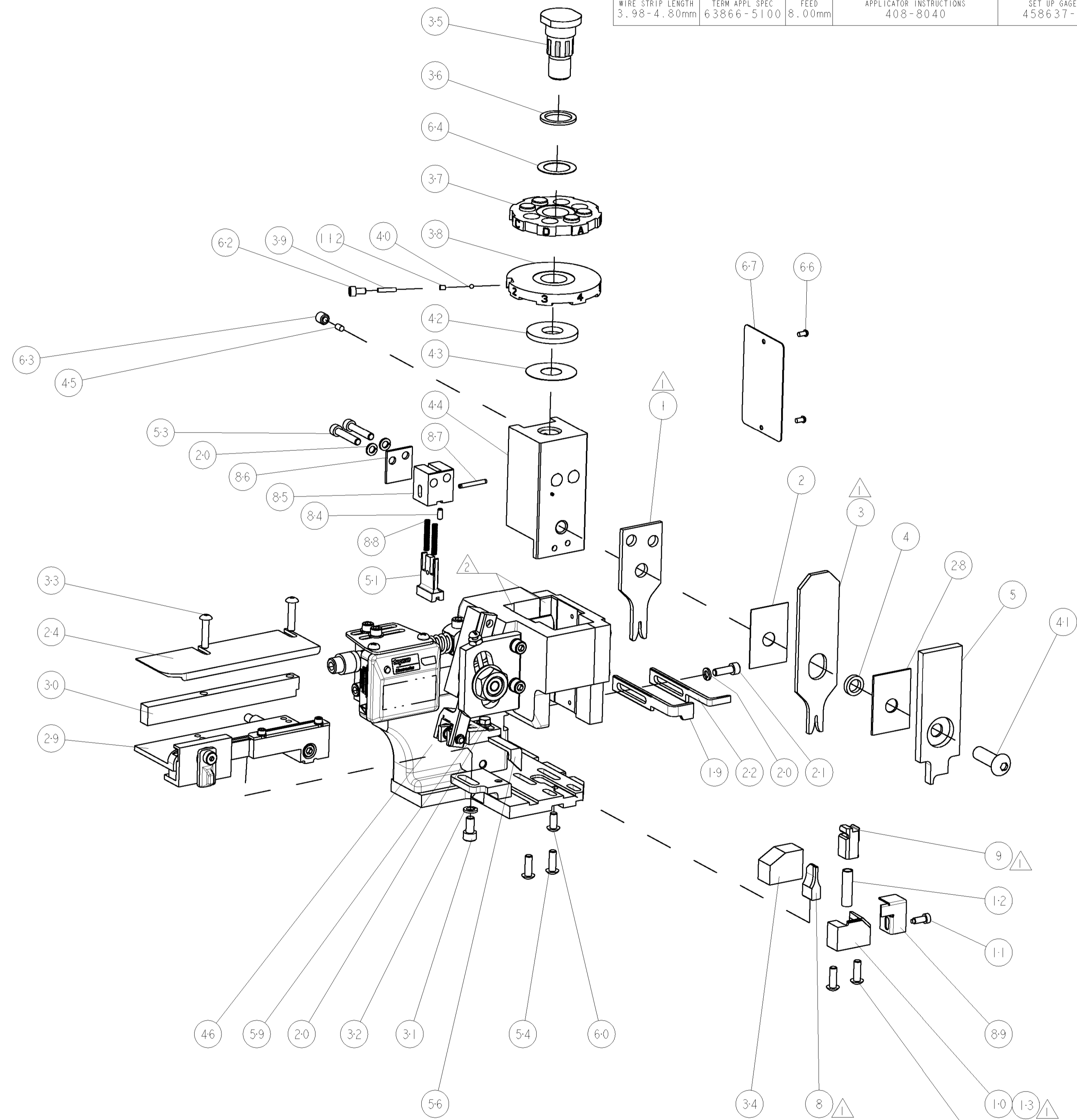
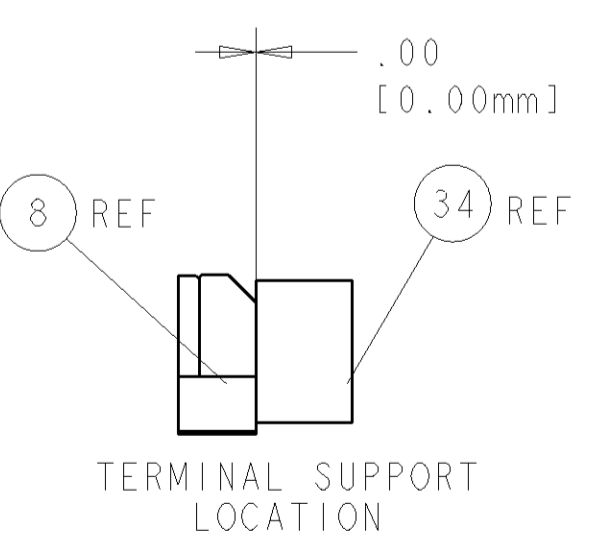
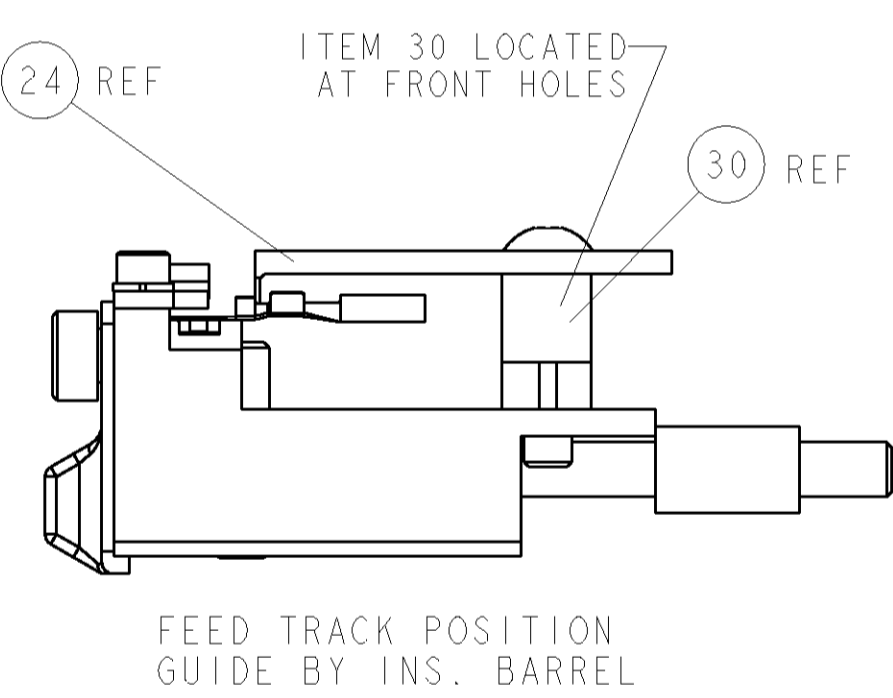
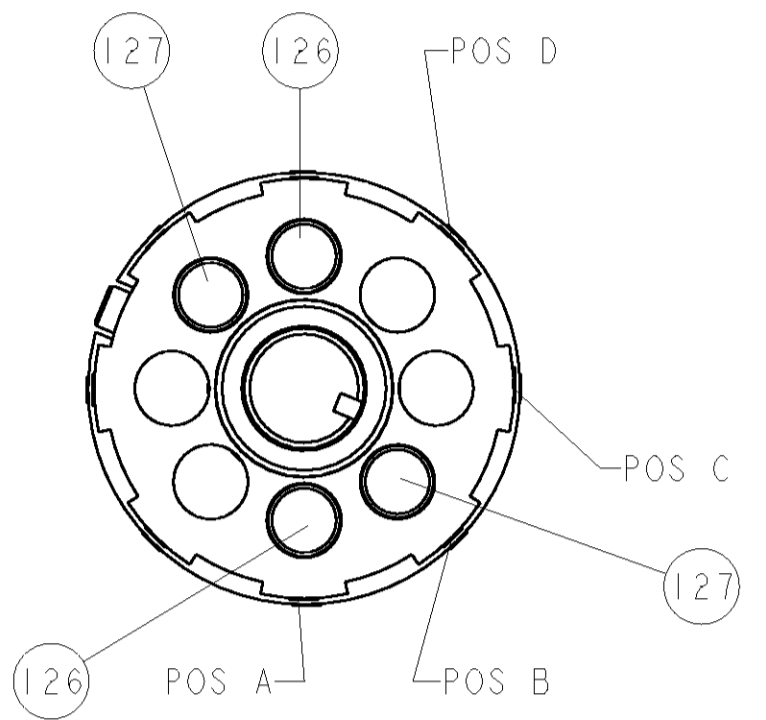
PART NUMBER	REV	FIRST USED	POWER UNIT	FEED TYPE	DESCRIPTION
1852526-1	A	122500-1	LEADMAKER	POST FEED	CUTS CARRIER
1852526-2	A	565435-5	BENCH MODEL K	PRE FEED	CUTS CARRIER
1852526-3	A	354500-1	BENCH MODEL G	PRE FEED	CUTS CARRIER
1852526-6	A	122500-1	LEADMAKER	POST FEED	CONTINUOUS CARRIER
7-1852526-7	A	-	-	-	SPARE PARTS



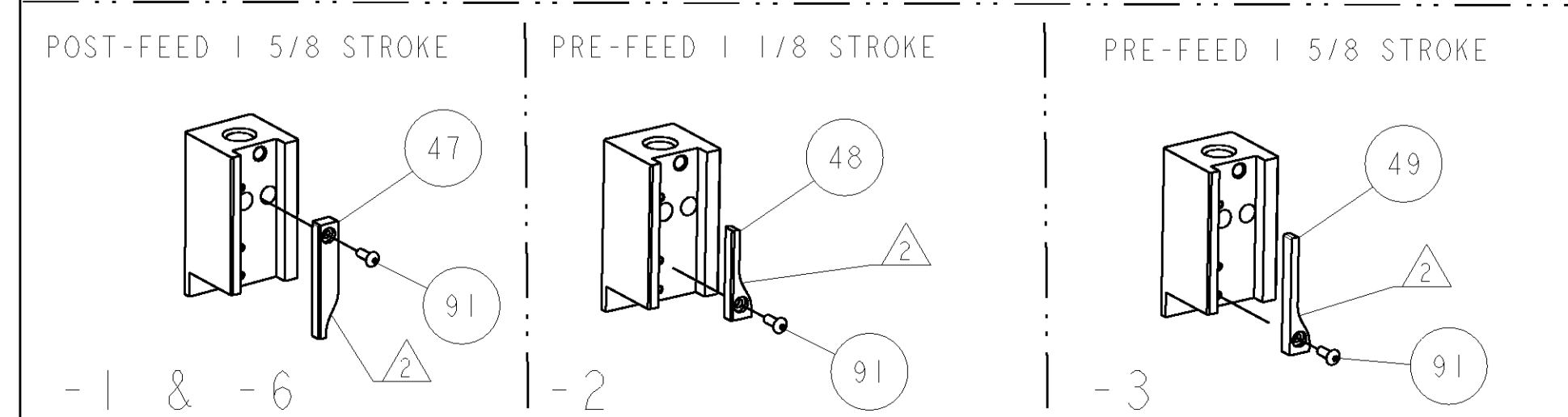
TERMINAL NAME: MX64 GET RECEPACLE			
TYCO PN	MANUF'S PN	MOLEX TERMINAL - MOLEX CRIMP SPECS	
1949449-1	34230-0001		
-	-	PAD LTR	CRIMP HEIGHT
-	-	A	1.06±0.04mm [.0415±.0015]
-	-	B	1.00±0.04mm [.0395±.0015]
-	-	C	-
-	-	D	-
-	-	CRIMP	SIZE TYPE RANGE
-	-	WIRE	1.35mm [.053] F 22-24 AWG
-	-	INSUL	1.65mm [.065] O 1.10-1.65mm [.043-.065]
WIRE STRIP LENGTH	TERM APPL SPEC	FEED	APPLICATOR INSTRUCTIONS
3.98-4.80mm	63866-5100	8.00mm	408-8040
			SET UP GAGE 458637-1

LOC	DIST	P LTR	DESCRIPTION	DATE	BY	APPD
A	66		RELEASED	07AUG2007	LG	TE

- △ RECOMMENDED SPARE PARTS
- △ GREASE LIGHTLY
- △ GUARD MUST BE IN PLACE WHEN OPERATING APPLICATOR IN A BENCH MACHINE



-	2	2	2	2	-	3-354779-6	PIN, WIRE DISC, .3170	127
-	2	2	2	2	-	3-354779-2	PIN, WIRE DISC, .3150	126
△	-	-	REF	-	..	455749-1	GUARD WINDOW	116
△	-	-	REF	-	..	679532-1	INSERT, GUARD	115
-	1	1	1	1	-	690603-1	SPRING ASSIST AMP-O-MATOR APPLICATOR	112
-	1	1	1	1	-	1-21002-7	SCR, BTN SKT HD CAP 6-32 X .375	91
-	1	1	1	1	-	318563-1	GUARD, FRONT CHIP	89
-	2	2	2	2	-	1-22278-9	SPRING, COMPRESSION	88
-	1	1	1	1	-	4-21028-0	PIN, SLOTTED SPRING .094 X .750	87
-	1	1	1	1	-	455053-1	PLATE, RETAINING	86
-	1	1	1	1	-	455052-1	CARRIER, HOLD DOWN	85
-	1	1	1	1	-	2-21008-1	SCR, SET, SELF LOCKING 1/4-20 X .250	84
-	1	1	1	1	-	4088040	SF APPL INST 408-8040	72
-	1	1	1	1	-	217238-1	GENERAL INSTRUCTION PKG	71
-	1	1	1	1	-	461264-1	PLATE, IDENTIFICATION	67
-	2	2	2	2	-	21017-2	SCREW, DRIVE	66
-	1	1	1	1	-	986950-1	WASHER, FLAT PRECISION	64
-	1	1	1	1	-	21009-2	SCR, SET, SELF LOCKING 1/4-20 X .250	63
-	1	1	1	1	-	23030-1	SCR, SKT HD CAP 6-32 X .25	62
-	1	1	1	1	-	22733-8	SCR, BHSC, SELF-LOCKING, 8-32 X .375	60
-	1	1	1	1	-	2-22603-0	SCR, HEX HD CAP 8-32 X .312	59
-	1	1	1	1	-	458537-2	PAWL, FEED	56
-	4	4	4	4	-	2-21002-2	SCR, BTN SKT HD CAP 8-32 X .500	54
-	2	2	2	2	-	3-21000-0	SCR, SKT HD CAP 8-32 X .875	53
-	1	1	1	1	-	8-1338389-3	HOLD DOWN, TERMINAL	51
-	-	-	-	-	..	690602-6	CAM, PRE FEED, 1 5/8	49
-	-	-	-	-	..	690602-5	CAM, PRE FEED, 1 1/8	48
-	1	-	-	-	-	690501-4	CAM, POST FEED, 1 5/8	47
-	1	1	1	1	-	459456-1	APPL. BASIC SUB ASSY (SIDE WISE MOCA)	46
-	1	1	1	1	-	690191-1	PLUG, NYLON	45
-	1	1	1	1	-	455673-1	RAM, SIDE FEED	44
-	1	1	1	1	-	690125-1	SHIM SUB-ASSY	43
-	1	1	1	1	-	1-690124-4	WASHER, RAM (.120)	42
-	1	1	1	1	-	7-21002-9	SCR, BTN SKT HD CAP 5/16-24 X 1.00	41
-	1	1	1	1	-	23241-6	BALL, STEEL	40
-	1	1	1	1	-	690170-1	SPRING, COMPRESSION	39
-	1	1	1	1	-	690142-2	DISC, INSULATION	38
-	1	1	1	1	-	354777-1	WIRE DISC, ASSEMBLY	37
-	1	1	1	1	-	22480-5	SPRING, COMPRESSION	36
-	1	1	1	1	-	690212-1	POST, RAM	35
-	1	1	1	1	-	2-690786-3	TERMINAL SUPPORT	34
-	2	2	2	2	-	2-21002-4	SCR, BTN SKT HD CAP 8-32 X .750	33
-	1	1	1	1	-	21024-5	WASHER, SPRG LOCK, REG NO 10	32
-	1	1	1	1	-	3-21000-4	SCR, SKT HD CAP 10-32 X .375	31
-	1	1	1	1	-	1320908-4	SPACER, STRIP GUIDE	30
-	1	1	1	1	-	1633091-3	ASSEMBLY, STRIP GUIDE	29
-	1	1	1	1	-	1-455888-0	SPACER, CRIMPER	28
-	1	1	1	1	-	1320928-5	PLATE, STRIP GUIDE	24
-	1	1	1	1	-	690472-2	STRIPPER	22
-	1	1	1	1	-	2-21000-7	SCR, SKT HD CAP 8-32 X .500	21
-	4	4	4	4	-	21024-4	WASHER, SPRG LOCK, REG NO 8	20
-	-	-	-	-	..	691353-1	STRIPPER	19
△	-	-	-	-	..	679625-1	SHEAR HOLDER, FRONT (NO CUT)	13
-	1	1	1	1	-	3-22280-3	SPRING, COMPRESSION	12
-	1	1	1	1	-	690461-1	STOP, SHEAR	11
△	-	-	-	-	..	690459-1	SHEAR HOLDER, FRONT	10
△	-	-	-	-	..	454276-1	FLOATING SHEAR, FRONT	9
△	1	1	1	1	-	3-1633535-4	ANVIL, COMBINATION	8
-	-	-	-	-	..	-	-	7
-	-	-	-	-	..	-	-	6
-	1	1	1	1	-	455889-9	DEPRESSOR, SHEAR	5
-	1	1	1	1	-	238011-9	BLOCK, CRIMPER SPACER	4
△	1	1	1	1	-	1633589-2	CRIMPER, INSUL O	3
-	1	1	1	1	-	455888-3	SPACER, CRIMPER	2
△	1	1	1	1	-	9-1633305-9	CRIMPER, WIRE PREMIUM	1



INCHES	TOLERANCES UNLESS OTHERWISE SPECIFIED:	FINISH	WEIGHT	CUSTOMER DRAWING	SCALE	SHEET	OF	REV
0 PLC	±.001				3:5	1	1	A
1 PLC	±.002							
2 PLC	±.003							
3 PLC	±.004							
4 PLC	±.005							
ANGLES	±.0001							

CUSTOMER VIEWABLE ASSEMBLY

Mouser Electronics

Authorized Distributor

Click to View Pricing, Inventory, Delivery & Lifecycle Information:

[TE Connectivity:](#)

[1852526-2](#)