

Power Cord with Locking System for Inlet Filters IL 13, IL 13 P, IL 19



- Locking system for standardized IEC C14/C20 inlet filter
- No accidental disconnection
- Rated current up to 10 A (C13 plug), up to 15 A (C13P plug), and up to 16 A (C19 plug)
- Fits any Schaffner IEC C14/C20 inlet filter
- Retrofit for any IEC C14/C20 inlet
- Various power line plugs for international usage



Approvals



The locking system has a tensile force of typical 200N. It is recommended to use it with flange mount filters. For details refer to our Application Note "Using IEC Lock Power Cords with IEC Inlets and Filters"

Schaffner power cords with IEC lock guard against accidental disconnection of all electrical appliances with an IEC inlet. No exchange or modification of the IEC inlet or IEC inlet filter system is needed. Easy retrofit for all electronic equipments and devices.

Technical specifications IL 13/IL 13 P

Maximum continuous operating voltage	250 VAC, 50/60 Hz
Rated currents	10 A for C13 plug, 15 A for C13P plug
High potential test voltage	P→ PE 2000 VAC (1 min 50 Hz) P → N 2000 VAC (1 min 50 Hz)
Protection category	IP 20 according IEC 60529
Temperature range (operation and storage)	-25°C to +70°C
Connector (load side)	IEC C13 according to IEC/EN 60320-2-2 with IEC Lock UL 498, CSA C22.2 no. 42 (for cold conditions) pin temperature 70°C, 10 A, Protection Class I
Connector (line side)	IEC C14 according to IEC/EN 60320-2-2; EU Schuko plug CEE7/II; UK plug BS 1363; US NEMA 5-15 plug standard or hospital grade (UL 817); CH plug SEV 1011; JP plug JIS 8303 Other plugs on request
Flammability corresponding to	Plugs: UL 94 V-2 or better; Cable: IEC 60332-1 Cat. F2

Features and benefits

- Power cord with locking system for IEC inlets
- Protection class I (IL 13, IL 13 P)
- Suitable for use with any C14 IEC inlet (IL 13, IL 13 P) and C20 IEC inlet (IL 19)
- Fits the complete Schaffner IEC inlet filter program with C14 IEC inlet and C20 IEC inlet (IL 19)
- Max. pin temperature 70°C

Typical applications

- Data centers
- Industrial equipment
- Medical devices
- In-vitro diagnostic devices
- Broadcasting stations
- Mobile applications

Technical specifications IL 19

Maximum continuous operating voltage	250 VAC, 50/60 Hz
Rated currents	16 A (IEC)
Operating frequency	50 to 400 Hz
High potential test voltage	P→ PE 2000 VAC (1 min 50 Hz) P → N 2000 VAC (1 min 50 Hz)
Protection category	IP 20 according IEC 60529
Temperature range (operation and storage)	-25°C to +70°C
Cable	2 m; 3 x 1.50 mm ² ; H05 VV-5; 6 ft; 3 x AWG14 SJT; black; other lengths or colors on request
Connector (load side)	IEC C19 according to IEC/EN 60320-2-2 with IEC lock, UL 498, CSA C22.2 no. 42 (for cold conditions) pin temperature 70°C, 16 A, Protection Class I
Connector (line side)	C20 according to IEC/EN 60320-2-2; EU Schuko plug CEE7/II angled; UK plug BS 1363 angled; US plug NEMA 5-15 straight; other plugs on request
Flammability corresponding to	Plugs: UL 94 V-2 or better; Cable: IEC 60332-1 Cat. F2

Cable selection table IL 13

IL 13-C14-H05-3100-X*	IEC cable assembly with locking system for IEC C14 inlet, EU version
IL 13-C14-SVT-3100-X*	IEC cable assembly with locking system for IEC C14 inlet, US version
IL 13-CH1-H05-3100-X*	IEC cable assembly with locking system for IEC C14 inlet, CH version
IL 13-EU1-H05-3100-X*	IEC cable assembly with locking system for IEC C14 inlet, EU version
IL 13-JP1-HVCTF-3125-X*	IEC cable assembly with locking system for IEC C14 inlet, JP version
IL 13-SE-H05-3100-X*	IEC cable assembly with locking system for IEC C14 inlet, stripped ends
IL 13-UK1-H05-3100-X*	IEC cable assembly with locking system for IEC C14 inlet, UK version
IL 13-US1-SVT-3100-X*	IEC cable assembly with locking system for IEC C14 inlet, US version
IL 13-US2-SJT-3100-X*	IEC cable assembly with locking system for IEC C14 inlet, US version, hospital grade

To compile a complete part number, please replace the X* with the required length (please refer to table below for available length per cable type):

- X* options = 200, 300, 400, 500 or 1000 cm; 183, 275 or 366 cm (6, 9 or 12 feet)

Available combinations IL 13

To compile a complete part number exchange the letters (IL13-yyy-zzz-aaaa-bbb-c) with the data from the table below.

Load side IL13		Line side plug		Cable type		Cable core		Rating	Cable length*		Cable color		Cert.
IL13		yyy		zzz		aaaa			bbb		c		
IL13	IEC C13 Female plug, straight, lock	IEC C14, male, straight Australian plug 3 pins SEV1011, straight CEE 7/VII, right angled or straight Italian Plug Israel Plug Korean Plug South African Plug Stripped Ends BS1363, right angled fused 5A	C14	H05VV-F	H05	3x1.00mm ²	3100	250VAC 10A	6 feet	183	Black Blue Orange Red White	- B O R W	CB KC KEMA SAA
			AU1						200				
IL13	IEC C13 Female plug, straight, lock	IEC C14, male, straight Japanese plug JIS C8303 Stripped Ends	CH1	HVCTF	HVCTF	3x1.25mm ² 3x2.00mm ²	3125 3200	125VAC 12A 15A	9 feet	275	Orange Red White	O R W	PSE
			EU1						300				
IL13	IEC C13 Female plug, straight, lock	IEC C14, male, straight Stripped Ends NEMAS-15, straight NEMAS-15, straight, hospital grade	IT1	SJT SVT	SJT SVT	AWG 18 AWG 16 AWG 14	3100 3130 3160	125VAC 10A 13A 15A	12 feet	366	Blue Orange Red White	B O R W	UL cUL
			IL1						400				
IL13	IEC C13 Female plug, straight, lock	IEC C14, male, straight Chinese plug Stripped Ends	SA1	RVV	RVV	3x1.00mm ²	3100	250VAC 10A	400 cm	400	Orange Red White	O R W	CCC
			SE						500				
IL13	IEC C13 Female plug, straight, lock	IEC C14, male, straight Indian plug 3 Pin Stripped Ends	SE	IS 694 1000V	IS694	3x1.00mm ²	3100	250VAC 10A	1000 cm	1000	Black Blue Orange Red White	- B O R W	CB
			UK1						500				

*feet values are calculated to the matching length in cm

Cable selection table IL 13 P

IL 13 P-C14-H05-3100-X*	IEC cable assembly with locking system + for IEC C14 inlet, EU version
IL 13 P-CH1-H05-3100-X*	IEC cable assembly with locking system + for IEC C14 inlet, CH version
IL 13 P-EU1-H05-3100-X*	IEC cable assembly with locking system + for IEC C14 inlet, EU version
IL 13 P-JP1-HVCTF-3125-X*	IEC cable assembly with locking system + for IEC C14 inlet, JP version
IL 13 P-SE-H05-3100-X*	IEC cable assembly with locking system + for IEC C14 inlet, stripped ends
IL 13 P-UK1-H05-3100-X*	IEC cable assembly with locking system + for IEC C14 inlet, UK version
IL 13 P-US1-SJT-3160-X*	IEC cable assembly with locking system + for IEC C14 inlet, US version

To compile a complete part number, please replace the X* with the required length (please refer to table below for available length per cable type):

- X* options = 200, 300, 400, 500 or 1000 cm; 183, 275 or 366 cm (6, 9 or 12 feet)

Available combinations IL 13 P

To compile a complete part number exchange the letters (IL13P-yyy-zzz-aaaa-bbb-c) with the data from the table below.

Load side IL13P		Line side plug	Cable type		Cable core		Rating	Cable length*		Cable color		Cert.	
IL13P		yyy	zzz		aaaa			bbb		c			
IL13P	IEC C13 + Female plug, straight, lock	IEC C14, male, straight	C14	H05VV-F	H05	3x1.00mm ²	3100	250VAC	6 feet	183	Black	-	CB
		Australian plug 3 pins	AU1						200 cm	200			
		SEV1011, straight	CH1					9 feet	275	Orange	O	KEMA	
		CEE 7/VI, right angled or straight	EU1					12 feet	366				Red
		Italian Plug	IT1					300 cm	300	White	W		
		Israel Plug	IL1					400 cm	400				
		Korean Plug	KC1					500 cm	500				
		South African Plug	SA1					1000 cm	1000				
		Stripped Ends	SE										
		BS1363, right angled fused 5A	UK1										
IL13P	IEC C13 + Female plug, straight, lock	IEC C14, male, straight	C14	HVCTF	HVCTF	3x1.25mm ²	3125	125VAC	100 cm	100	Black	-	PSE
		Japanese plug JIS C8303	JP1						200 cm	200			
		Stripped Ends	SE			3x2.00mm ²	3200	15A	300 cm	300	Orange	O	
								400 cm	400	Red			R
								500 cm	500		White	W	
IL13P	IEC C13 + Female plug, straight, lock	IEC C14, male, straight	C14	SJT	SJT	AWG 18	3100	125VAC	6 feet	183	Black	-	UL
		Stripped Ends	SE						200 cm	200			
		NEMA5-15, straight	US1	SVT	SVT	AWG 16	3130	10A	9 feet	275	Orange	O	cUL
		NEMA5-15, straight, hospital grade	US2			AWG 14	3160	15A	12 feet	366			
								400 cm	400	White	W		
								500 cm	500				
								1000 cm	1000				
IL13P	IEC C13 + Female plug, straight, lock	IEC C14, male, straight	C14	RVV	RVV	3x1.00mm ²	3100	250VAC	200 cm	200	Black	-	CCC
		Chinese plug	CN1										
		Stripped Ends	SE					10A	300 cm	300	Orange	O	
								12 feet	366	Red			R
								400 cm	400		White	W	
								500 cm	500				
								1000 cm	1000				
IL13P	IEC C13 + Female plug, straight, lock	IEC C14, male, straigh	C14	IS 694	IS694	3x1.00mm ²	3100	250VAC	200 cm	200	Black	-	CB
		Indian plug 3 Pin	IN1										
		Stripped Ends	SE	1000V				10A	300 cm	300	Orange	O	
								12 feet	366	Red			R
								400 cm	400		White	W	
								500 cm	500				
								1000 cm	1000				

*feet values are calculated to the matching length in cm

Cable selection table IL 19

IL 19-C20-H05-3150-X*	IEC cable assembly with locking system for IEC C20 inlet, EU version
IL 19-C20-SJT-3160-X*	IEC cable assembly with locking system for IEC C20 inlet, US version
IL 19-EU1-H05-3150-X*	IEC cable assembly with locking system for IEC C20 inlet, EU version
IL 19-SE-H05-3150-X*	IEC cable assembly with locking system for IEC C20 inlet, stripped ends
IL 19-UK1-H05-3150-X*	IEC cable assembly with locking system for IEC C20 inlet, UK version
IL 19-US1-SJT-3160-X*	IEC cable assembly with locking system for IEC C20 inlet, US version

To compile a complete part number, please replace the X* with the required length (please refer to table below for available length per cable type):

- X* options = 200, 300, 400, 500 or 1000 cm; 183, 275 or 366 cm (6, 9 or 12 feet)

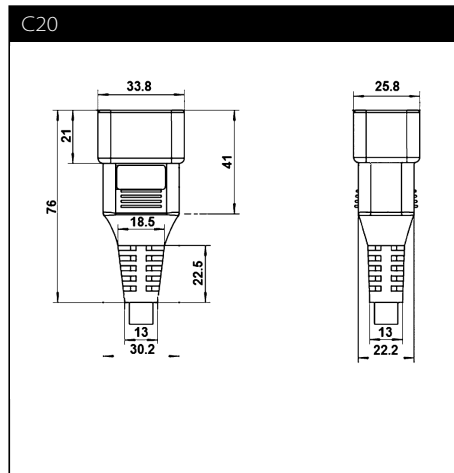
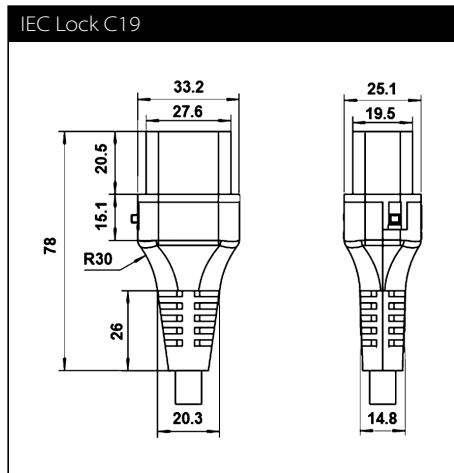
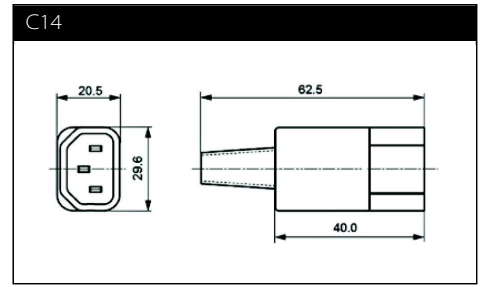
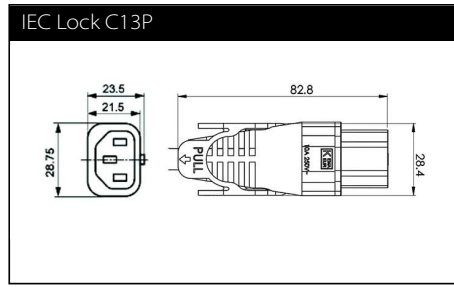
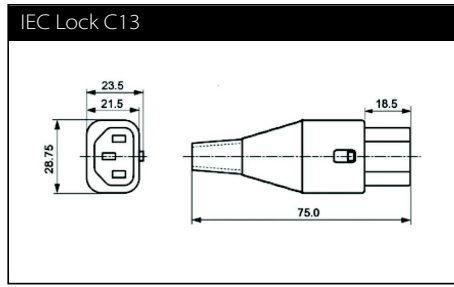
Available combinations IL 19

To compile a complete part number exchange the letters (IL19-yyy-zzz-aaaa-bbb-c) with the data from the table below.

Load side IL19		Line side plug	Cable type		Cable core		Rating	Cable length*		Cable color	Cert.		
IL19		yyy	zzz		aaaa			bbb		c			
IL19	IEC C19 Female plug, straight, lock	IEC C20, male, straight	C20	H05VV-F	H05	3x1.50mm ²	3150	250VAC 16A	6 feet	183	Black Blue Orange Red White	- B O R W	CB KEMA SAA
		Australian plug 3 pins	AU1						200 cm	200			
		SEV1011, straight	CH1						9 feet	275			
		CEE 7/VII, right angled or straight	EU1						300 cm	300			
		Italian Plug	IT1						12 feet	366			
South Africa plug	SA1	400 cm	400										
Stripped Ends	SE	500 cm	500										
BS1363, right angled fused 13A	UK1	1000 cm	1000										
IL19	IEC C19 Female plug, straight, lock	IEC C20, male, straight	C20	HVCTF	HVCTF	3x2.00mm ²	3200	250VAC 20A	100 cm	100	Black Blue Orange Red White	- B O R W	PSE
		Japanese plug JIS C8303	JP1						200 cm	200			
		Stripped Ends	SE						300 cm	300			
									400 cm	400			
									500 cm	500			
IL19	IEC C19 Female plug, straight, lock	IEC C20, male, straight	C20	SJT	SJT	AWG14	3160	125V 18A	6 feet	183	Black Blue Orange Red White	- B O R W	UL cUL
		Stripped Ends	SE						200 cm	200			
		NEMA5-15, straight	US1						9 feet	275			
		Nema 5-20P	US4						300 cm	300			
									12 feet	366			
									400 cm	400			
									500 cm	500			
		1000 cm	1000										
IL19	IEC C19 Female plug, straight, lock	Chinese plug	CN1	RWVF	RWVF	3x1.50mm ²	3150	250V 16A	200 cm	200	black	-	CCC

*feet values are calculated to the matching length in cm

Mechanical data



Please visit www.schaffner.com to find more details on filter connectors.



Headquarters, global innovation and development

Switzerland

Schaffner Group

Nordstrasse 11
4542 Luterbach
T +41 32 681 66 26
info@schaffner.com
www.schaffner.com



Sales and application centers

China

Schaffner EMC Ltd. Shanghai

T20-3 C, No 565 Chuangye Road,
Pudong district
201201 Shanghai
T +86 21 3813 9500
cschina@schaffner.com
www.schaffner.com.cn

Finland

Schaffner Oy

Sauvonrinne 19 H
08500 Lohja
T +358 50 468 7284
finlandsales@schaffner.com

France

Schaffner EMC S.A.S.

16-20 Rue Louis Rameau
95875 Bezons
T +33 1 34 34 30 60
F +33 1 39 47 02 28
francesales@schaffner.com

Germany

Schaffner Deutschland GmbH

Schoemperlenstrasse 12B
76185 Karlsruhe
T +49 721 56910
F +49 721 569110
germanysales@schaffner.com

India

Schaffner India Pvt. Ltd

REGUS WORLD TRADE CENTRE
WTC, 22nd Floor Unit No 2238, Brigade
Gateway Campus, 26/1, Dr. Rajkumar Road
Malleswaram (W)
560055 Bangalore
T +91 80 67935355
indiasales@schaffner.com

Italy

Schaffner EMC S.r.l.

Via Ticino, 30
20900 Monza (MB)
T +39 039 21 41 070
italysales@schaffner.com

Japan

Schaffner EMC K.K.

1-32-12, Kamiyama, Setagaya-ku
7F Mitsui-seimei Sangenjaya Bldg.
154-0011 Tokyo
T +81 3 5712 3650
F +81 3 5712 3651
japansales@schaffner.com
www.schaffner.jp

Singapore

Schaffner EMC Pte Ltd.

#05-09, Kg Ubi Ind. Estate
408705 Singapore
T +65 6377 3283
F +65 6377 3281
singaporesales@schaffner.com

Spain

Schaffner EMC España

Calle Caléndula 93, Miniparc III, Edificio E
El Soto de Moraleja, Alcobendas
28109 Madrid
T +34 917 912 900
F +34 917 912 901
spainsales@schaffner.com

Sweden

Schaffner EMC AB

Tegeluddsvägen 76, 2tr
115 28 Stockholm
T +46 8 5050 2425
swedensales@schaffner.com
www.schaffner.com

Switzerland

Schaffner EMV AG

Nordstrasse 11
4542 Luterbach
T +41 32 681 66 26
switzerlandsales@schaffner.com

Taiwan R.O.C.

Schaffner EMV Ltd.

20 Floor-2, No 97, Section 1, XinTai 5th Road
22175 XiZhi District New Taipei City 22175
T +886 2 2697 5500
F +886 2 2697 5533
taiwansales@schaffner.com
www.schaffner.com.tw

Thailand

Schaffner EMC Co. Ltd.

Northern Region Industrial Estate
67 Moo 4 Tambon Ban Klang
Amphur Muangng P.O. Box 14
51000 Lamphun
T +66 53 58 11 04
F +66 53 58 10 19
thailandsales@schaffner.com

United Kingdom

Schaffner Ltd.

5 Ashville Way, Molly Millars Lane
Wokingham
RG41 2PL Berkshire
T +44 118 9770070
F +44 118 9792969
uksales@schaffner.com

USA

Schaffner EMC Inc.

52 Mayfield Avenue
08837 Edison, New Jersey
T +1 800 367 5566
T +1 732 225 9533
F +1 732 225 4789
usasales@schaffner.com
www.schaffnerusa.com

Schaffner North America

6722 Thirlane Road
24019 Roanoke, Virginia
T +1 276 228 7943
F +1 276 228 7953

Schaffner North America

823 Fairview Road
24382 Wytheville, Virginia
T +1 276 228 7943
F +1 276 228 7258

To find your local partner within Schaffner's global network: www.schaffner.com

© 2018 Schaffner Group

The content of this document has been carefully checked and understood. However, neither Schaffner nor its subsidiaries assume any liability whatsoever for any errors or inaccuracies of this document and the consequences thereof. Published specifications are subject to change without notice. Product suitability for any area of application must ultimately be determined by the customer. In all cases, products must never be operated outside their published specifications. Schaffner does not guarantee the availability of all published products. This disclaimer shall be governed by substantive Swiss law and resulting disputes shall be settled by the courts at the place of business of Schaffner Holding AG. Latest publications and a complete disclaimer can be downloaded from the Schaffner website. All trademarks recognized.