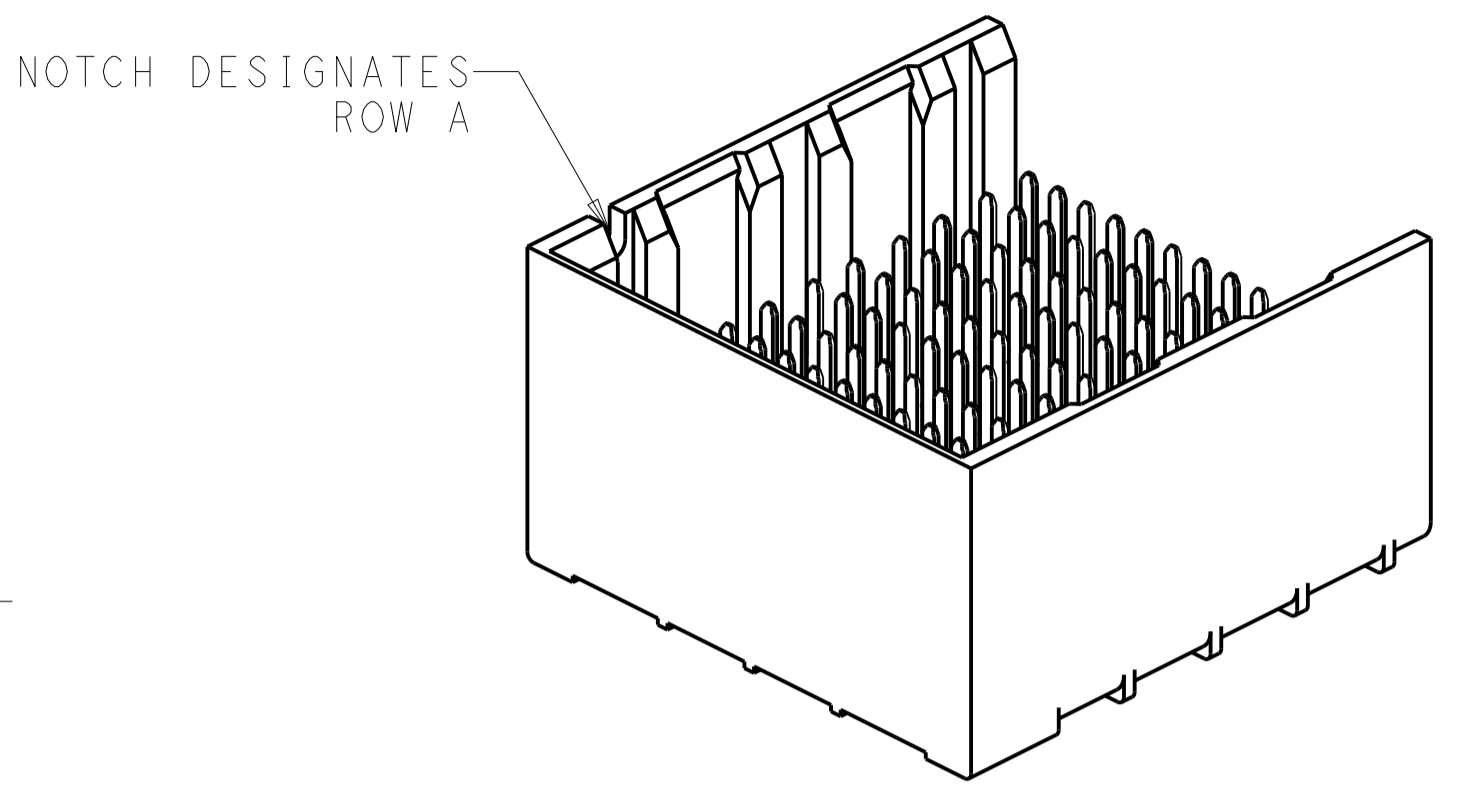
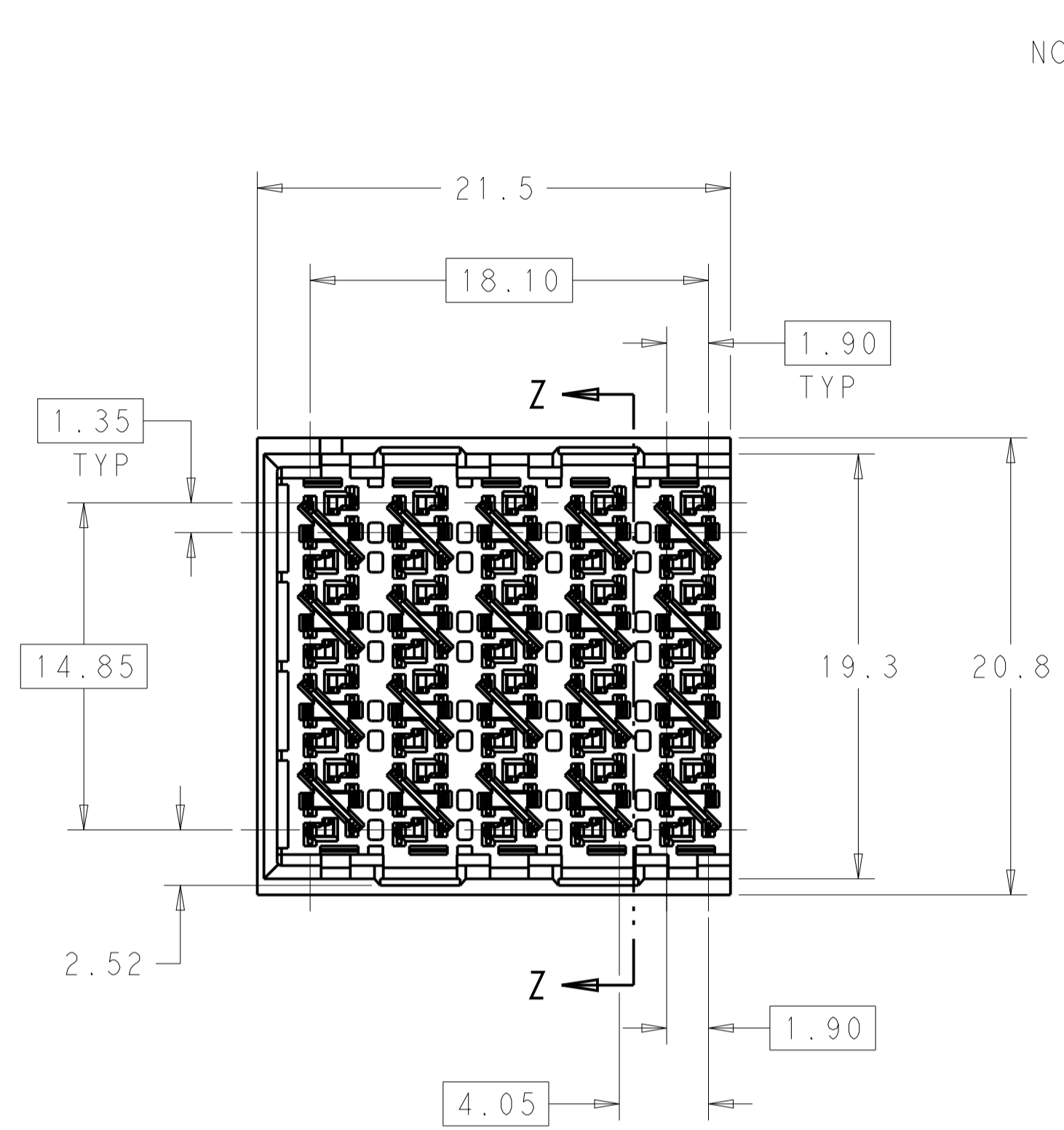
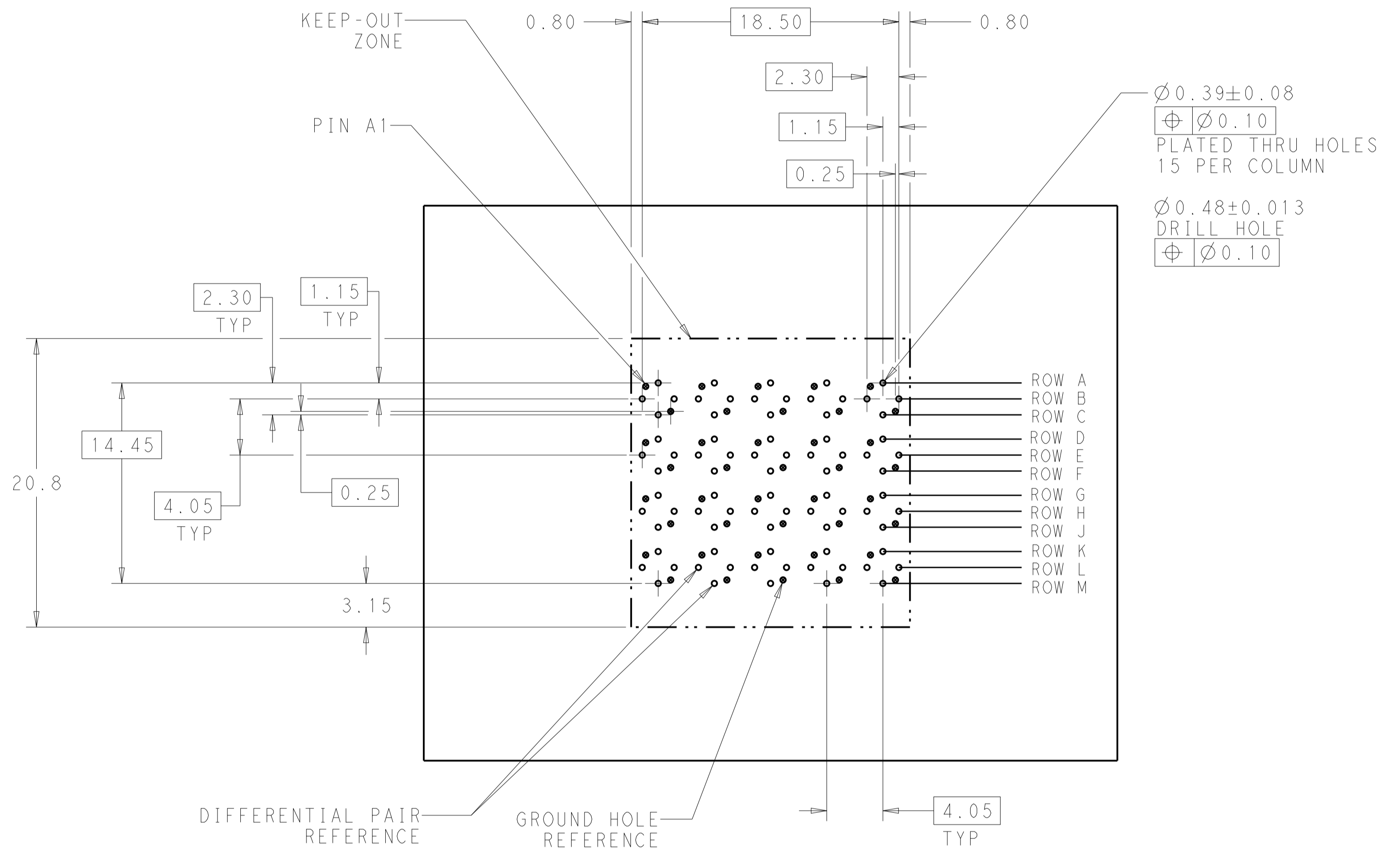


REVISIONS				
P.	LTN.	DESCRIPTION	DATE	APVD.
C		REVISED PER ECO-14-013271	08SEP2014	AP DD

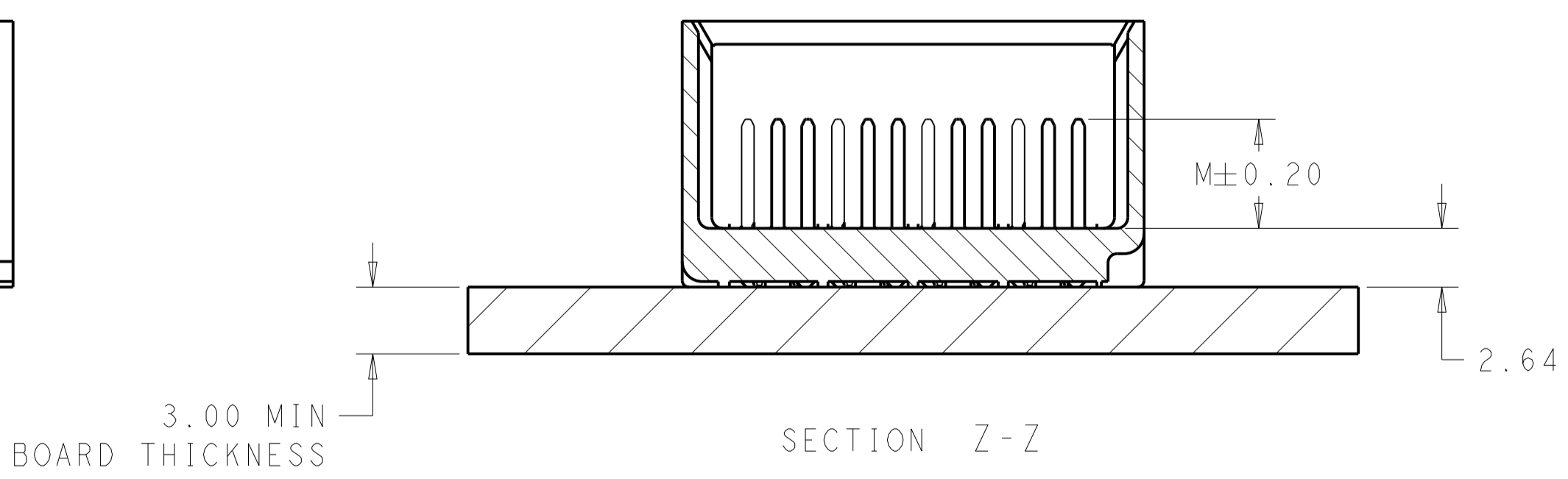
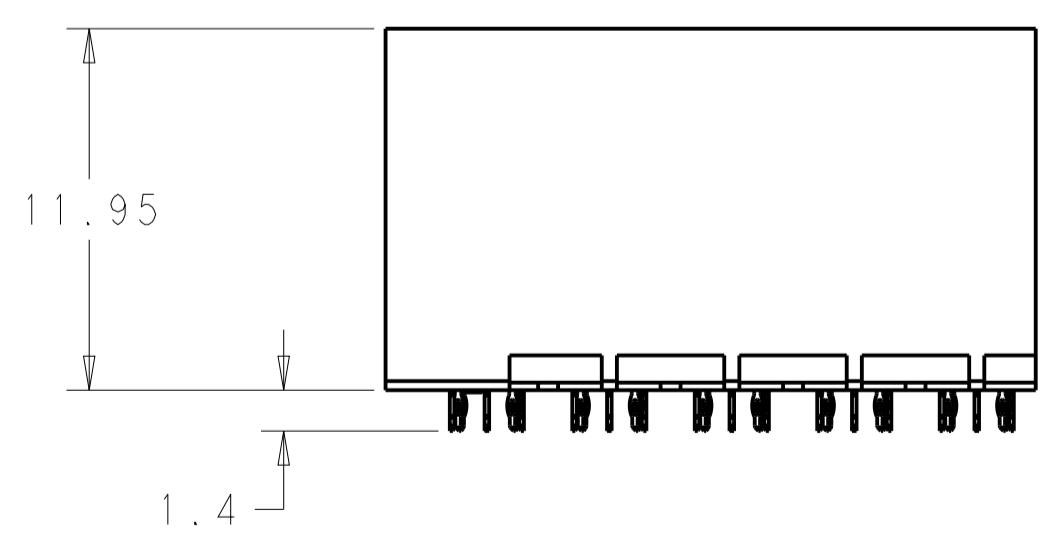


△ MATERIAL:
 HOUSING: LCP GLASS FILLED UL94V-0
 TERMINALS: HIGH PERFORMANCE COPPER ALLOY

△ FINISH:
 30μ" MIN GOLD IN CONTACT AREA
 SELECTIVE TIN ON PCB TAILS.
 NICKEL OVERALL.



LEFT GUIDED
 BACKPLANE HOLE PATTERN
 (CONNECTOR SIDE)
 SCALE 4:1



△	5.5	2132630-2
△	4.9	2132630-1
FINISH	DIM M	PART NUMBER

THIS DRAWING IS A CONTROLLED DOCUMENT.		DWN J. K. SHOBER 13SEP2010	TE Connectivity	
DIMENSIONS: mm		CHK J. EARY 13SEP2010		
TOLERANCES UNLESS OTHERWISE SPECIFIED:		APVD J. EARY 13SEP2010		
0 PLC	±	PRODUCT SPEC	NAME IMPACT, ORTHOGONAL, 4 PAIR 10 COLUMN	
2 PLC	±0.25	APPLICATION SPEC	UNGUIDED LEFT END WALL,	
3 PLC	±0.13	SIZE	HEADER ASSEMBLY, 0.39 PTH	
4 PLC	±	WEIGHT	A100779C=2132630	
ANGLES	±0	Customer Drawing	SCALE 4:1	SHEET 1 OF 1
MATERIAL	SEE TABLE	RESTRICTED TO	REV C	

Mouser Electronics

Authorized Distributor

Click to View Pricing, Inventory, Delivery & Lifecycle Information:

[TE Connectivity:](#)

[2132630-2](#)