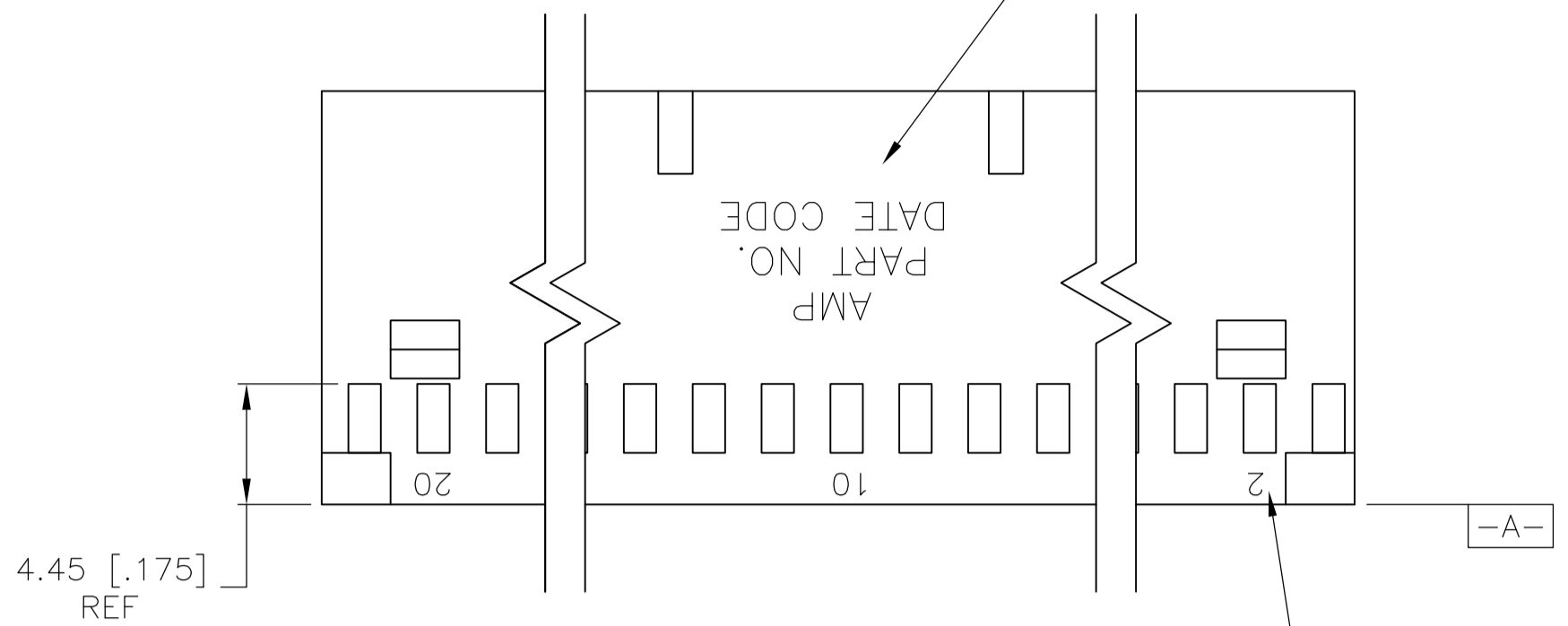
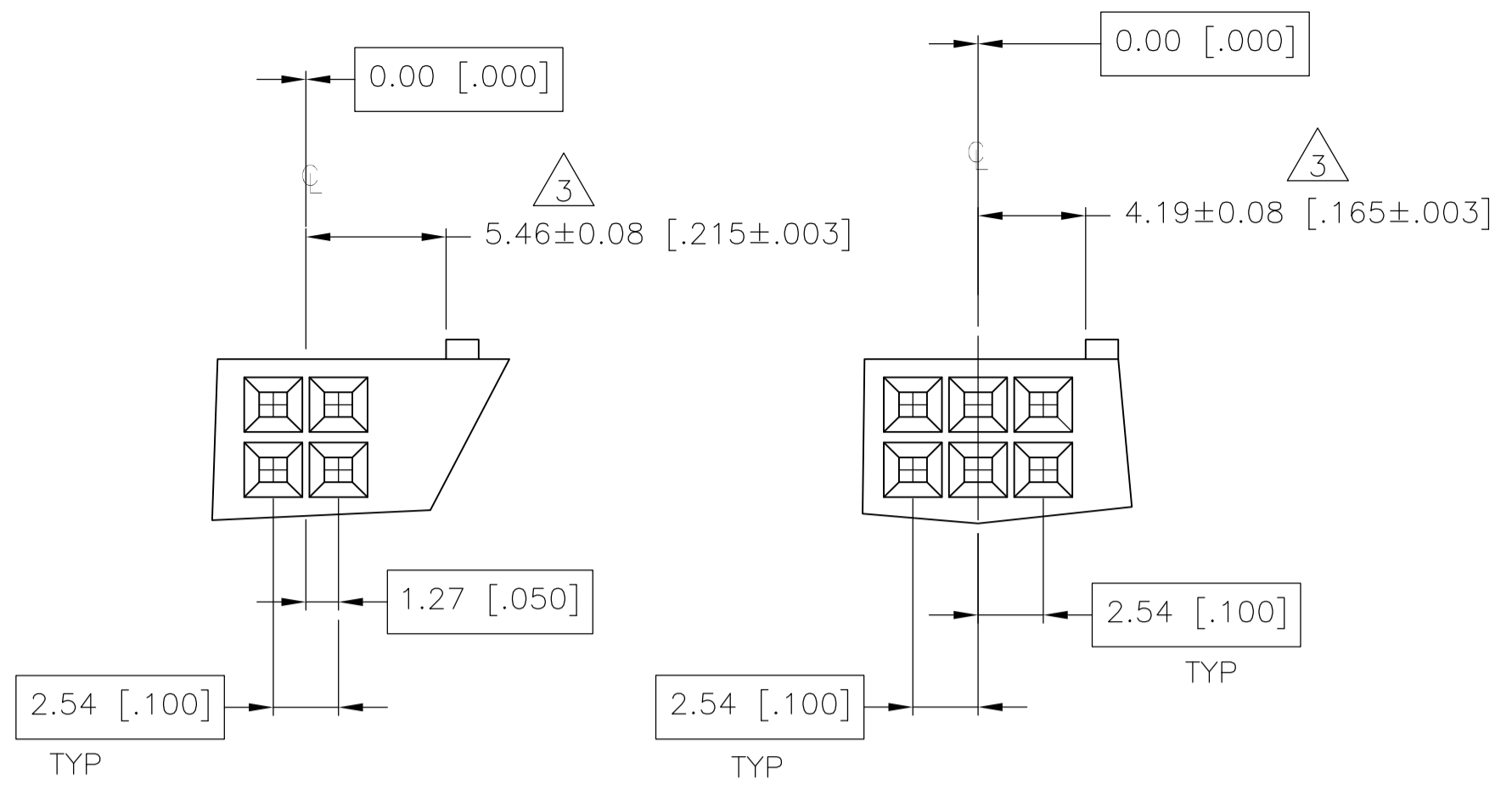


| LOC |             | DIST          |     | REVISIONS   |         |    |      |  |
|-----|-------------|---------------|-----|-------------|---------|----|------|--|
| AD  | 00          | P             | LTR | DESCRIPTION | DATE    | DN | APVO |  |
| W4  | REVISED PER | ECO-13-004115 |     |             | 07MAR13 | KH | JO   |  |

"AMP", PART NO. & DATE CODE  
 MARKED (WHITE) 1.58±0.38 [.062±.015] HIGH CHARS.  
 IN AREA SHOWN WHEN HOUSING SIZE PERMITS



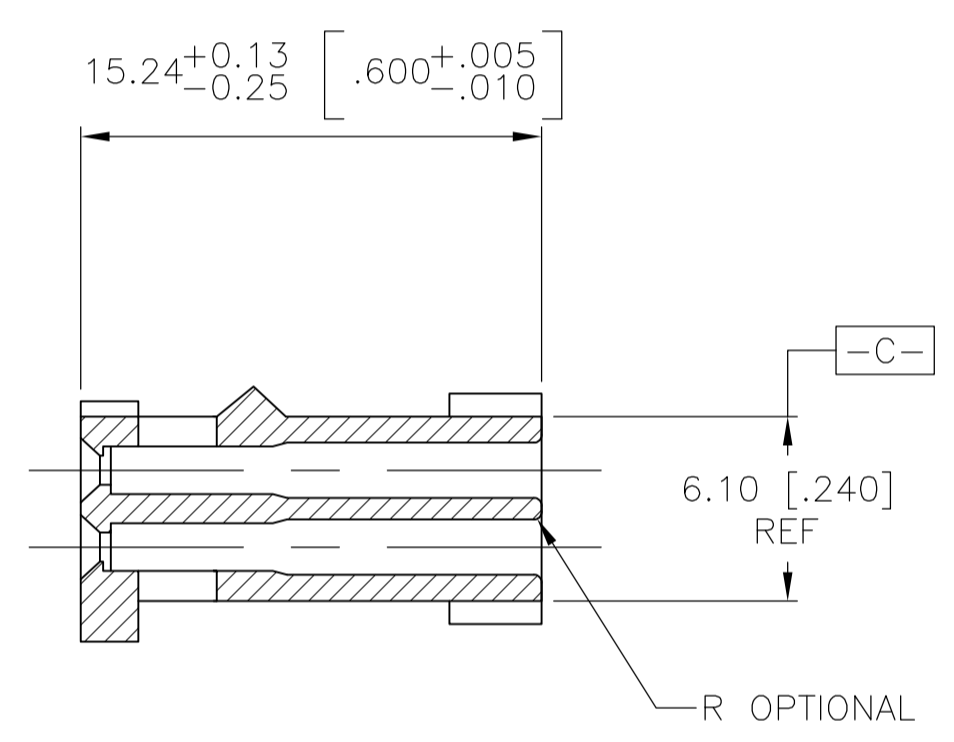
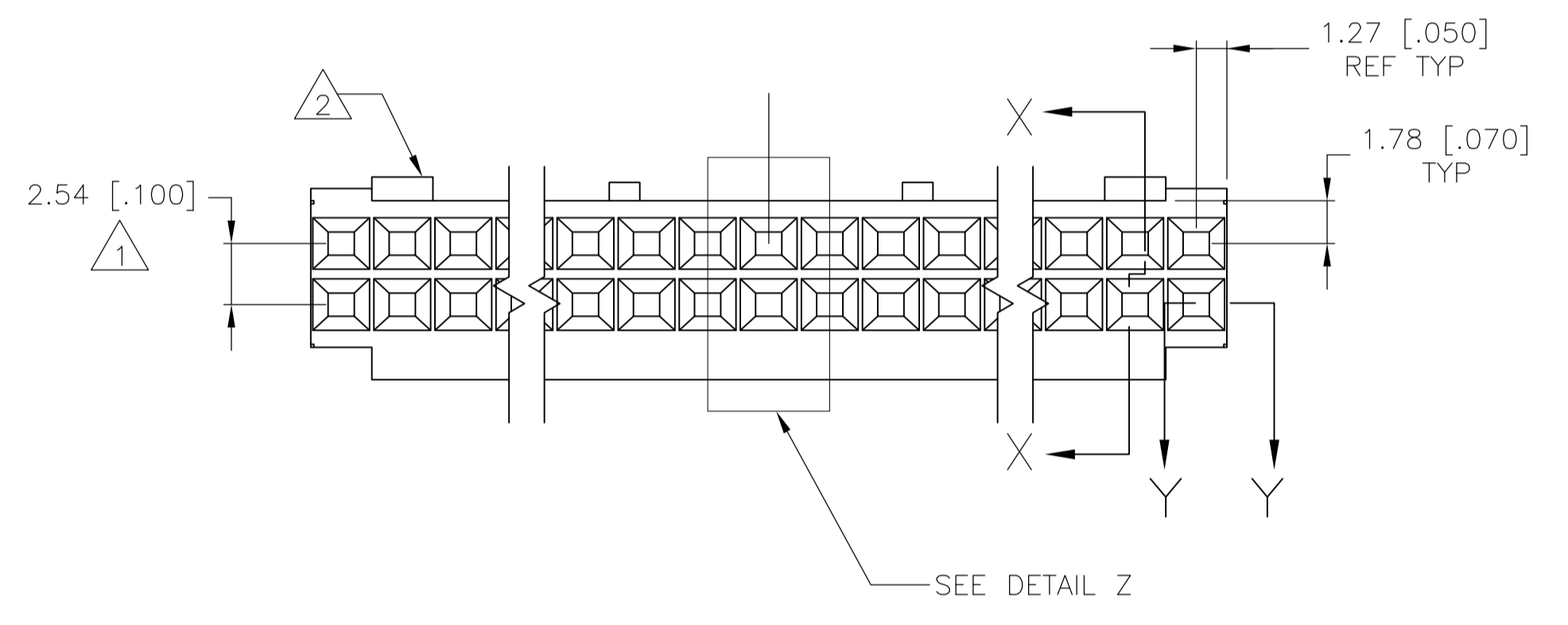
CAVITY IDENT. MARKED (WHITE)  
 1.17±0.38 [.046±.015] HIGH CHARS. SECOND AND  
 EVERY FIFTH CAVITY, ONE SIDE.



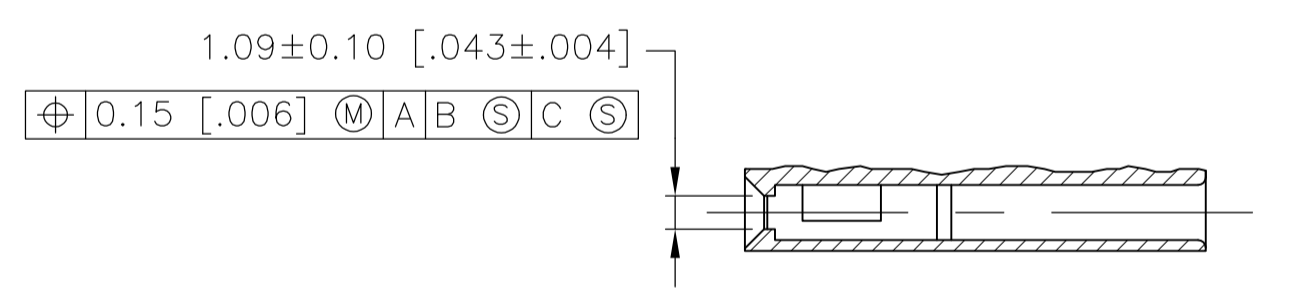
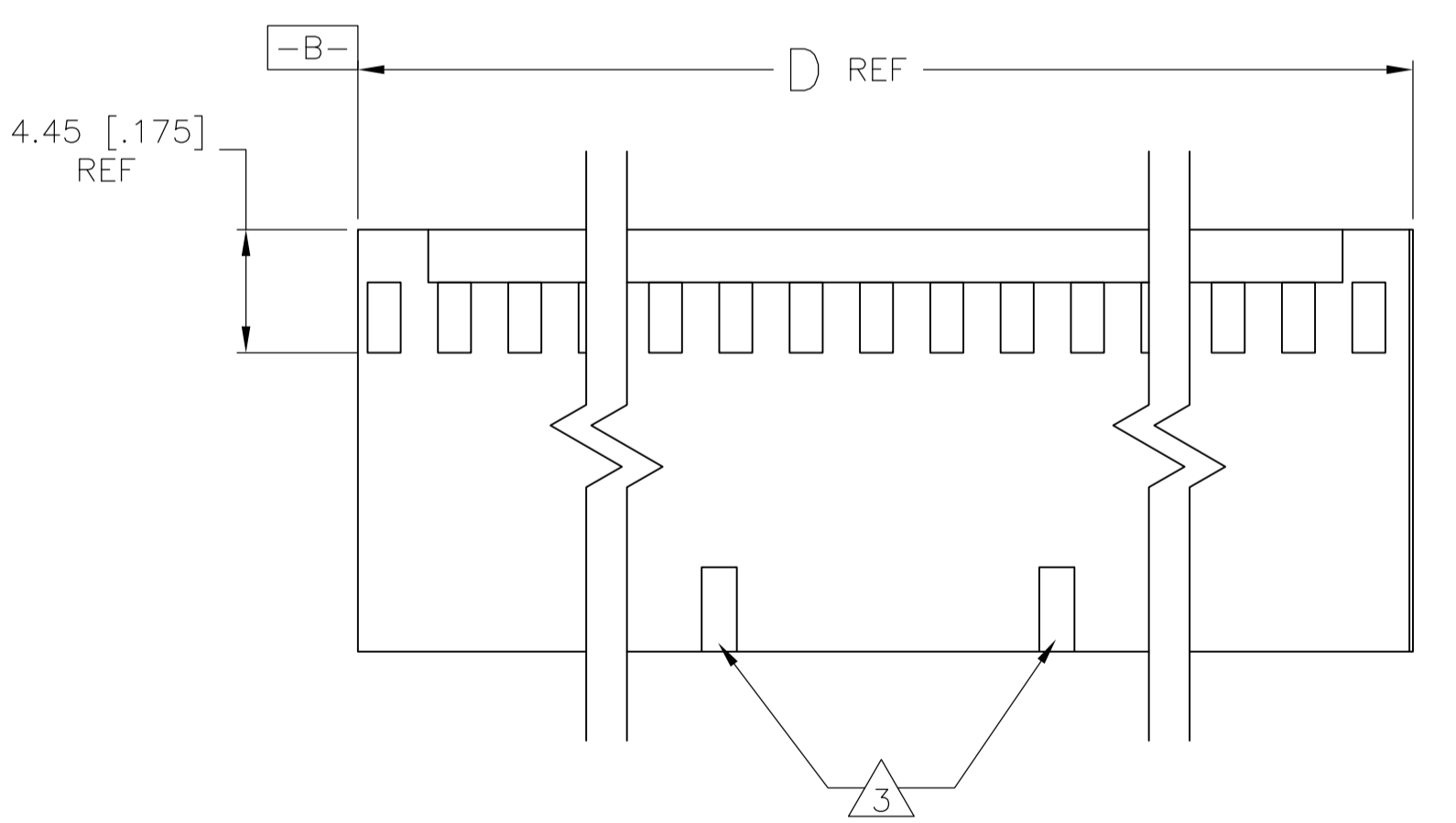
BASIC DIMENSION FOR  
 ODD NUMBER OF SPACES  
 (SEE THE TABLE)

BASIC DIMENSION FOR  
 EVEN NUMBER OF SPACES  
 (SEE THE TABLE)

DETAIL Z



SECTION X-X



SECTION Y-Y  
 ROTATED 90° CLOCKWISE

- 2 SEE TABLE FOR NUMBER OF DETENTS. DETENT ON THIS SIDE FOR HOUSINGS WITH ONE DETENT.
- 3 STRAIN RELIEF LOCATORS WILL APPEAR ON 20 POSITION AND LARGER HOUSINGS.
- 4 USE EXTRACTION TOOL 91052-1 TO REMOVE RECEPTACLE CONTACTS.
- 5 THESE HOUSINGS ARE COMPATIBLE WITH ANY MOD II SHROUDED HEADER.
- 6 HOUSINGS WILL ACCOMMODATE ALL MOD IV, IV.5 AND MOD V CONTACTS.
- 7 MATERIAL: FLAME RETARDANT GLASS FILLED NYLON, COLOR: BLACK PER ASTM D4066.
- 8 OBSOLETE PARTS: OBSOLETE CIS STREAMLINING PER D.RENAUD/D.SINISI

| MARKING    | NO. OF DETENTS | D | NO. OF SPACES | NO. OF POSN | PART NUMBER |           |
|------------|----------------|---|---------------|-------------|-------------|-----------|
| 8 OBSOLETE | ALL            | 2 | 81.28 [3.200] | 31          | 64          | 6-87631-6 |
|            | NONE           | 2 | 81.28 [3.200] | 31          | 64          | 6-87631-5 |
|            | ALL            | 2 | 73.66 [2.900] | 28          | 58          | 6-87631-4 |
| 8 OBSOLETE | NONE           | 2 | 73.66 [2.900] | 28          | 58          | 6-87631-3 |
|            |                |   |               |             |             | 6-87631-2 |
|            |                |   |               |             |             | 6-87631-1 |
|            | ALL            | 2 | 60.96 [2.400] | 23          | 48          | 6-87631-0 |
| 8 OBSOLETE | NONE           | 2 | 60.96 [2.400] | 23          | 48          | 5-87631-9 |
| 8 OBSOLETE | ALL            | 2 | 88.90 [3.500] | 35          | 72          | 5-87631-8 |
|            | NONE           | 2 | 88.90 [3.500] | 35          | 72          | 5-87631-7 |
|            | ALL            | 2 | 88.90 [3.500] | 34          | 70          | 5-87631-6 |
|            | NONE           | 2 | 88.90 [3.500] | 34          | 70          | 5-87631-5 |
|            | ALL            | 2 | 83.82 [3.300] | 32          | 66          | 5-87631-4 |
| 8 OBSOLETE | NONE           | 2 | 83.82 [3.300] | 32          | 66          | 5-87631-3 |
|            | ALL            | 2 | 76.20 [3.000] | 29          | 60          | 5-87631-2 |
|            | NONE           | 2 | 76.20 [3.000] | 29          | 60          | 5-87631-1 |
|            |                |   |               |             |             | 5-87631-0 |
|            |                |   |               |             |             | 4-87631-9 |
|            |                |   |               |             |             | 4-87631-8 |
|            |                |   |               |             |             | 4-87631-7 |
| 8 OBSOLETE | ALL            | 2 | 68.58 [2.700] | 26          | 54          | 4-87631-6 |
|            | NONE           | 2 | 68.58 [2.700] | 26          | 54          | 4-87631-5 |
|            | ALL            | 2 | 66.04 [2.600] | 25          | 52          | 4-87631-4 |
|            | NONE           | 2 | 66.04 [2.600] | 25          | 52          | 4-87631-3 |
|            | ALL            | 2 | 63.50 [2.500] | 24          | 50          | 4-87631-2 |
|            | NONE           | 2 | 63.50 [2.500] | 24          | 50          | 4-87631-1 |
|            | ALL            | 2 | 55.88 [2.200] | 21          | 44          | 4-87631-0 |
| 8 OBSOLETE | NONE           | 2 | 55.88 [2.200] | 21          | 44          | 3-87631-9 |
|            | ALL            | 2 | 53.34 [2.100] | 20          | 42          | 3-87631-8 |
|            | NONE           | 2 | 53.34 [2.100] | 20          | 42          | 3-87631-7 |
|            | ALL            | 2 | 50.80 [2.000] | 19          | 40          | 3-87631-6 |
|            | NONE           | 2 | 50.80 [2.000] | 19          | 40          | 3-87631-5 |
|            | ALL            | 2 | 48.26 [1.900] | 18          | 38          | 3-87631-4 |
|            | NONE           | 2 | 48.26 [1.900] | 18          | 38          | 3-87631-3 |
|            | ALL            | 2 | 45.72 [1.800] | 17          | 36          | 3-87631-2 |
|            | NONE           | 2 | 45.72 [1.800] | 17          | 36          | 3-87631-1 |
|            | ALL            | 2 | 43.18 [1.700] | 16          | 34          | 3-87631-0 |
|            | NONE           | 2 | 43.18 [1.700] | 16          | 34          | 2-87631-9 |
|            | ALL            | 2 | 40.64 [1.600] | 15          | 32          | 2-87631-8 |
|            | NONE           | 2 | 40.64 [1.600] | 15          | 32          | 2-87631-7 |
|            | ALL            | 2 | 38.10 [1.500] | 14          | 30          | 2-87631-6 |
|            | NONE           | 2 | 38.10 [1.500] | 14          | 30          | 2-87631-5 |
|            | ALL            | 2 | 35.56 [1.400] | 13          | 28          | 2-87631-4 |
|            | NONE           | 2 | 35.56 [1.400] | 13          | 28          | 2-87631-3 |
|            | ALL            | 2 | 33.02 [1.300] | 12          | 26          | 2-87631-2 |
|            | NONE           | 2 | 33.02 [1.300] | 12          | 26          | 2-87631-1 |
|            | ALL            | 2 | 30.48 [1.200] | 11          | 24          | 2-87631-0 |
|            | NONE           | 2 | 30.48 [1.200] | 11          | 24          | 1-87631-9 |
|            | ALL            | 2 | 27.94 [1.100] | 10          | 22          | 1-87631-8 |
|            | NONE           | 2 | 27.94 [1.100] | 10          | 22          | 1-87631-7 |
|            | ALL            | 2 | 25.40 [1.000] | 9           | 20          | 1-87631-6 |
|            | NONE           | 2 | 25.40 [1.000] | 9           | 20          | 1-87631-5 |
|            | ALL            | 1 | 22.86 [.900]  | 8           | 18          | 1-87631-4 |
|            | NONE           | 1 | 22.86 [.900]  | 8           | 18          | 1-87631-3 |
|            | ALL            | 1 | 20.32 [.800]  | 7           | 16          | 1-87631-2 |
|            | NONE           | 1 | 20.32 [.800]  | 7           | 16          | 1-87631-1 |
|            | ALL            | 1 | 17.78 [.700]  | 6           | 14          | 1-87631-0 |
|            | NONE           | 1 | 17.78 [.700]  | 6           | 14          | 87631-9   |
|            | ALL            | 1 | 15.24 [.600]  | 5           | 12          | 87631-8   |
|            | NONE           | 1 | 15.24 [.600]  | 5           | 12          | 87631-7   |
|            | ALL            | 1 | 12.70 [.500]  | 4           | 10          | 87631-6   |
|            | NONE           | 1 | 12.70 [.500]  | 4           | 10          | 87631-5   |
|            | ALL            | 1 | 10.16 [.400]  | 3           | 8           | 87631-4   |
|            | NONE           | 1 | 10.16 [.400]  | 3           | 8           | 87631-3   |
|            | ALL            | 1 | 7.62 [.300]   | 2           | 6           | 87631-2   |
|            | NONE           | 1 | 7.62 [.300]   | 2           | 6           | 87631-1   |

THIS DRAWING IS A CONTROLLED DOCUMENT. DIN E. BRANDBERG 09FEB94  
 CHK: S. SHUEY 08NOV94  
 APVD: D. DUPLER 08NOV94 NAME: **STE** TE Connectivity

DIMENSIONS: mm [INCHES] TOLERANCES UNLESS OTHERWISE SPECIFIED:  
 0. PLC ± -  
 1. PLC ± -  
 2. PLC ± ± 0.13[.005]  
 3. PLC ± -  
 4. PLC ± -  
 ANGLES ± -

MATERIAL: FINISH: WEIGHT: A1 00779 C=87631  
 CUSTOMER DRAWING SCALE: 4:1 SHEET 1 OF 1 REV: W4

CONNECTOR, MOD IV, CRIMP SNAP-IN, WITH DETENT

# Mouser Electronics

Authorized Distributor

Click to View Pricing, Inventory, Delivery & Lifecycle Information:

[TE Connectivity:](#)

[87631-8](#)