

THIS DRAWING IS UNPUBLISHED.

RELEASED FOR PUBLICATION

2011

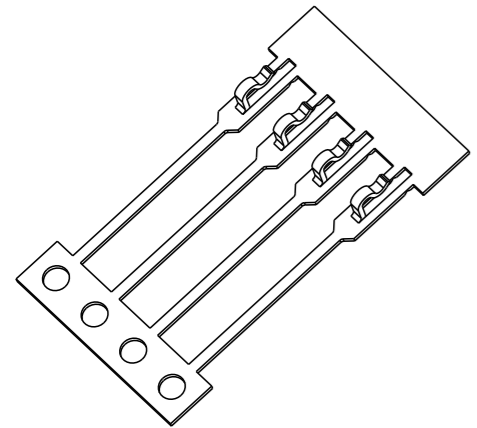
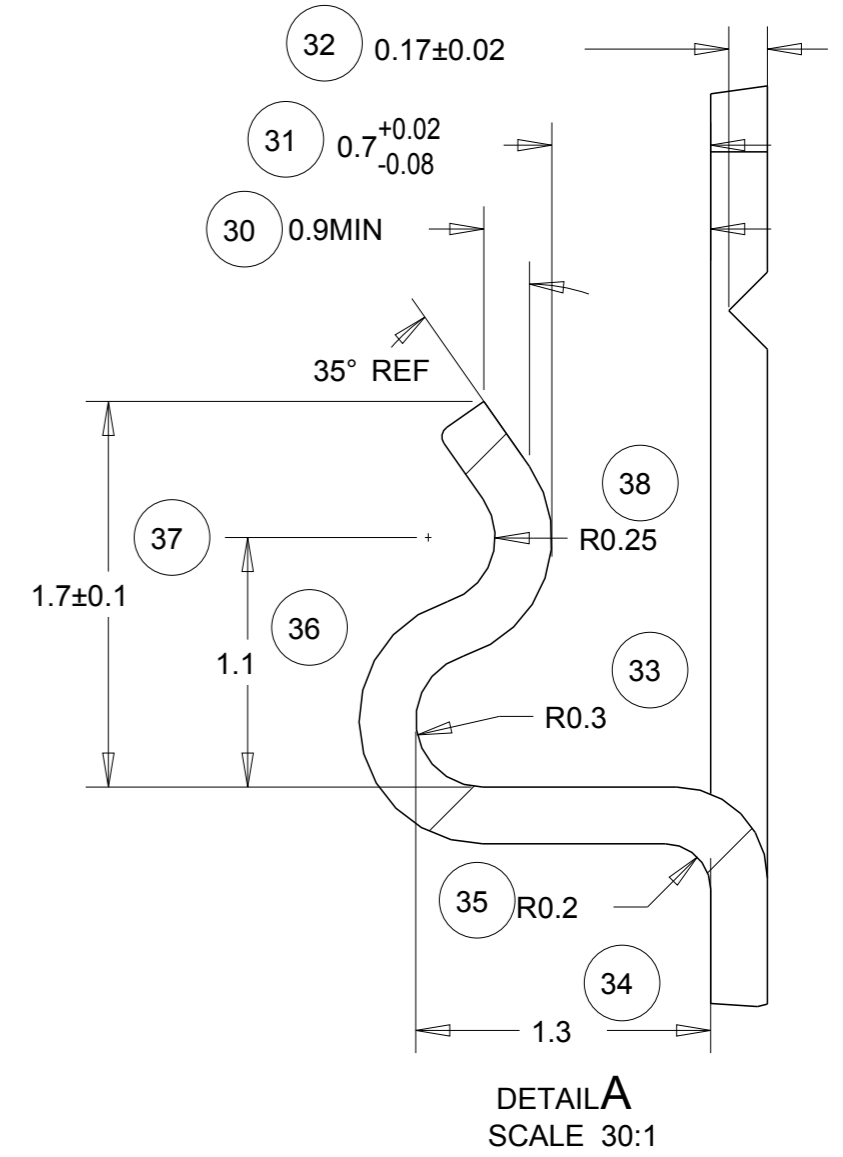
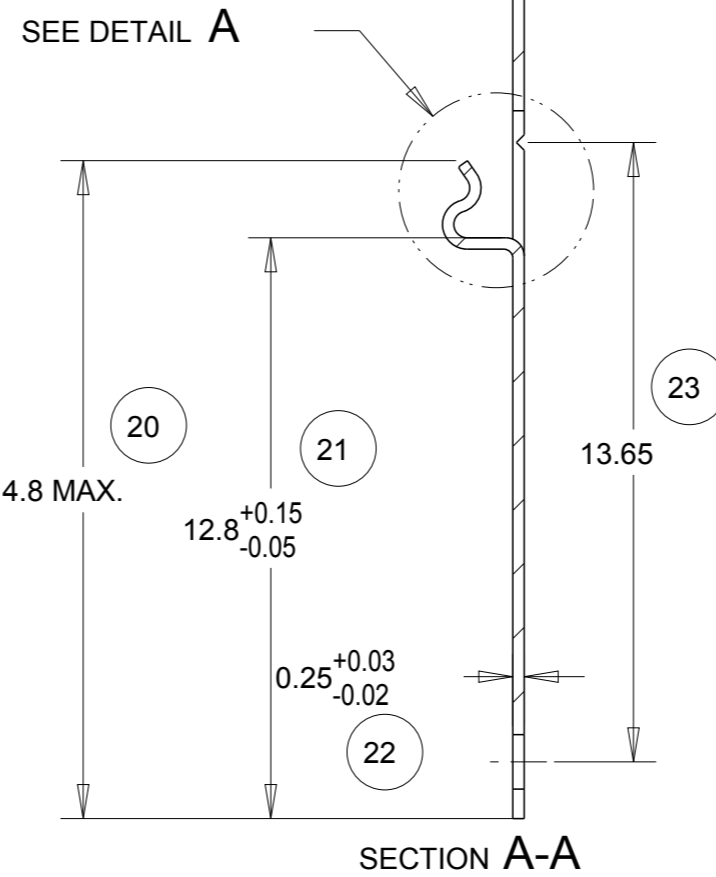
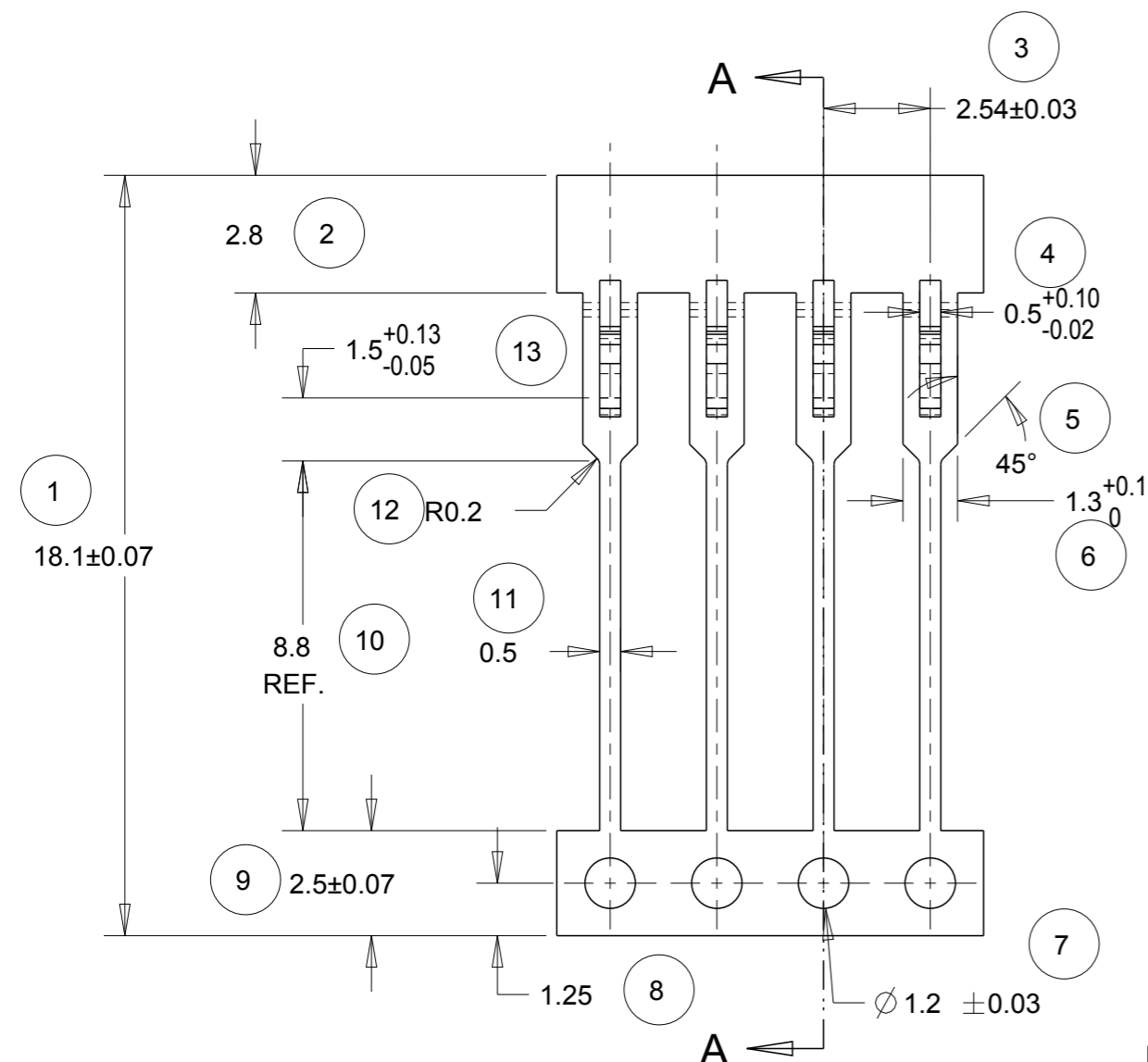
© COPYRIGHT 2011 TE CONNECTIVITY

ALL RIGHTS RESERVED.

LOC B DIST -

REVISIONS

P	LTR	DESCRIPTION	DATE	DWN	APVD
D		ECR-11-015005	19/07/11	JB	MG
E		ECR-11-015626	02/08/11	MJG	JA



SCALE 3:1

NOTE
 BOWING: AFTER UPPER TIE BAR REMOVAL- 1.5mm MAX. FOR 500mm
 PITCH: AFTER UPPER TIE BAR REMOVAL- 2.54±0.127

REELING DETAILS	
	DIRECTION "0" CONTACTS DOWN
	DIRECTION "1" CONTACTS UPWARDS
DIRECTION OF TOP OF REEL	DIRECTION

0	Ni & Sn	Ph Bz	1544337-2
REELING	FINISH	MATERIAL	PART NO

THIS DRAWING IS A CONTROLLED DOCUMENT.		DWN J.BRIGHT 19/07/11																
DIMENSIONS: mm		CHK M.GREENER 19/07/11																
TOLERANCES UNLESS OTHERWISE SPECIFIED:		APVD D.PENNINGTON 19/07/11																
<table border="1"> <tr><td>0 PLC</td><td>±-</td></tr> <tr><td>1 PLC</td><td>±0.1</td></tr> <tr><td>2 PLC</td><td>±0.05</td></tr> <tr><td>3 PLC</td><td>±-</td></tr> <tr><td>4 PLC</td><td>±-</td></tr> <tr><td>ANGLES</td><td>±0.5</td></tr> <tr><td>FINISH</td><td>-</td></tr> </table>		0 PLC	±-	1 PLC	±0.1	2 PLC	±0.05	3 PLC	±-	4 PLC	±-	ANGLES	±0.5	FINISH	-	PRODUCT SPEC -	NAME	
0 PLC	±-																	
1 PLC	±0.1																	
2 PLC	±0.05																	
3 PLC	±-																	
4 PLC	±-																	
ANGLES	±0.5																	
FINISH	-																	
MATERIAL SEE TABLE		APPLICATION SPEC -	SIL CONTACT															
		WEIGHT -	SIZE A3	CAGE CODE 00779														
		CUSTOMER DRAWING	DRAWING NO C-1544337	RESTRICTED TO														
			SCALE NTS	SHEET 1 OF 1 REV E														

Mouser Electronics

Authorized Distributor

Click to View Pricing, Inventory, Delivery & Lifecycle Information:

[TE Connectivity:](#)

[1544337-2](#)