

RJ45 connector - VS-08-RJ45-10G/Q - 1419001

Please be informed that the data shown in this PDF Document is generated from our Online Catalog. Please find the complete data in the user's documentation. Our General Terms of Use for Downloads are valid (<http://phoenixcontact.com/download>)



RJ45 connector, IP20, CAT6_A, 8-pos., with QUICKON fast connection technology, for 26 ... 24 AWG 1-wire and 7-wire conductors, color: black

Product Features

- assembly without special tools
- UL
- Solid and stranded wires (1- and 7-wire)



Key Commercial Data

Packing unit	1 pc
Weight per Piece (excluding packing)	20.0 g
Custom tariff number	85366990
Country of origin	Germany

Technical data

Environmental Product Compliance

REACH SVHC	DOTe 15571-58-1
------------	-----------------

Mechanical characteristics

Number of positions	8
Connection profile	RJ45
Shielded	yes
Insertion/withdrawal cycles	≥ 750
Connection method	IDC fast connection
Conductor cross section	0.13 mm ² ... 0.21 mm ² (solid)
	0.14 mm ² ... 0.23 mm ² (7-wire)

RJ45 connector - VS-08-RJ45-10G/Q - 1419001

Technical data

Mechanical characteristics

Connection cross section AWG	26 ... 24 (solid)
	26 ... 24 (7-wire)
Max. cable diameter	4.5 mm ... 8 mm
External cable diameter	4.5 mm ... 8 mm
Cable exit	straight
Color	yellow

Ambient conditions

Ambient temperature (operation)	-40 °C ... 70 °C
---------------------------------	------------------

Material data

Flammability rating according to UL 94	V2
Housing material	PA 6.6
Contact carrier material	PC
Contact material	CuSn
Contact surface material	Gold over nickel

Electrical characteristics

Number of positions	8
Nominal voltage U_N	50 V
Nominal current I_N	1.75 A
Transmission speed	10 GBit/s
Transmission characteristics (category)	CAT6 _A (IEC 60512-27-100:2008, TIA-568-C.2:2009)
Rated current	1.75 A
Overvoltage category	I
Degree of pollution	2

Standards and Regulations

Flammability rating according to UL 94	V2
--	----

Classifications

eCl@ss

eCl@ss 4.0	27140816
eCl@ss 4.1	27260701
eCl@ss 5.0	27260701
eCl@ss 5.1	27260701
eCl@ss 6.0	27260705
eCl@ss 7.0	27440309

RJ45 connector - VS-08-RJ45-10G/Q - 1419001

Classifications

eCl@ss

eCl@ss 8.0	27440101
------------	----------

ETIM

ETIM 2.0	EC000764
ETIM 3.0	EC001121
ETIM 4.0	EC002641
ETIM 5.0	EC002636

UNSPSC

UNSPSC 6.01	30211824
UNSPSC 7.0901	31261501
UNSPSC 11	31261501
UNSPSC 12.01	31261501
UNSPSC 13.2	31261501

Approvals

Approvals

Approvals

EAC / EAC / UL Listed / cUL Listed / EAC / cULus Listed

Ex Approvals

Approvals submitted

Approval details

EAC

EAC

RJ45 connector - VS-08-RJ45-10G/Q - 1419001

Approvals

UL Listed	
Nominal current IN	1.75 A
Nominal voltage UN	57 V

cUL Listed	
Nominal current IN	1.75 A
Nominal voltage UN	57 V

EAC

cULus Listed	
--------------	--

Accessories

Accessories

Tool - VS-CABLE-STRIP-VARIO - 1657407

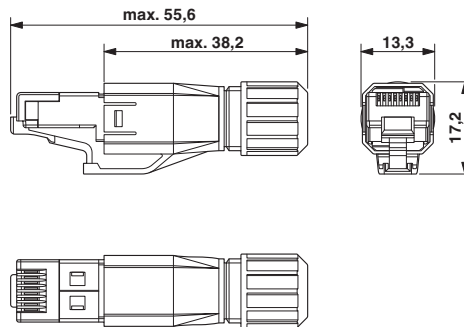
Stripping tool, for the multi-level stripping of shielded cables



Drawings

RJ45 connector - VS-08-RJ45-10G/Q - 1419001

Dimensional drawing



RJ45 connector, IP20

Phoenix Contact 2016 © - all rights reserved
<http://www.phoenixcontact.com>

Mouser Electronics

Authorized Distributor

Click to View Pricing, Inventory, Delivery & Lifecycle Information:

[Phoenix Contact:](#)

[1419001](#)