

PHYSICAL DIMENSIONS:

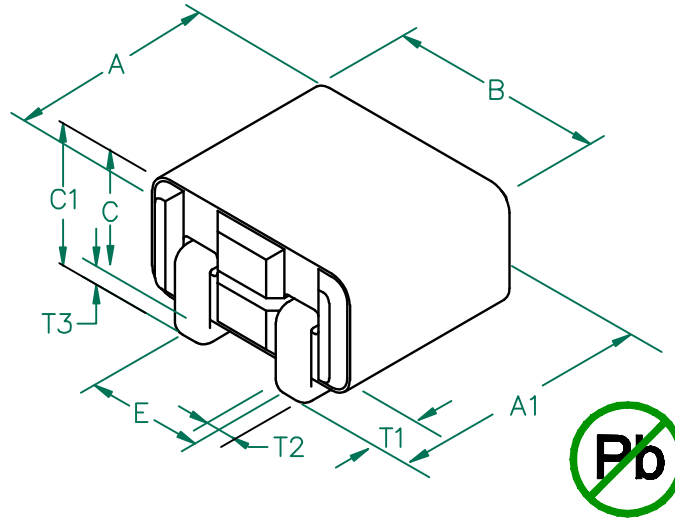
A	5.00 [.197]	± 0.15 [.006]
A1	5.88 [.231]	MAX.
B	5.60 [.220]	± 0.10 [.004]
C	2.85 [.112]	± 0.07 [.003]
C1	3.80 [.150]	MAX
E	2.84 [.112]	± 0.10 [.004]

WIRE DIMENSIONS:

T1	1.75 [.069]	± 0.13 [.005]
T2	0.81 [.032]	REF.
T3	0.43 [.017]	REF.
T4	0.86 [.034]	MAX.



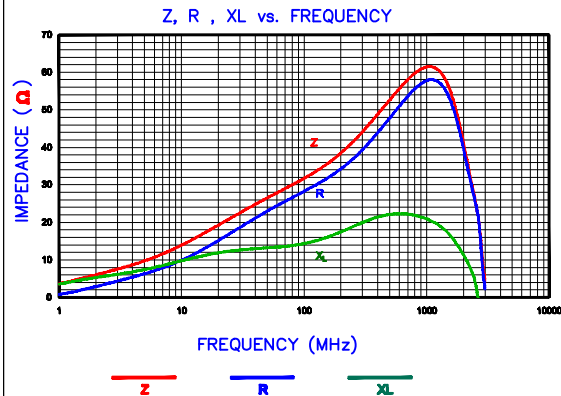
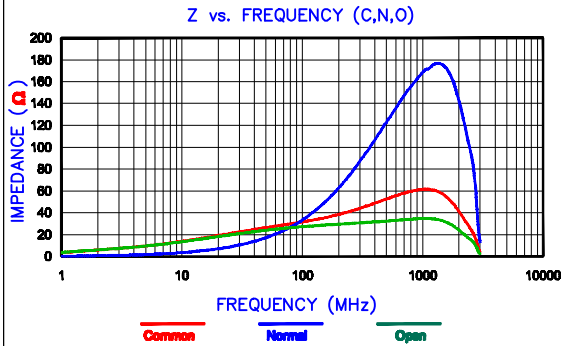
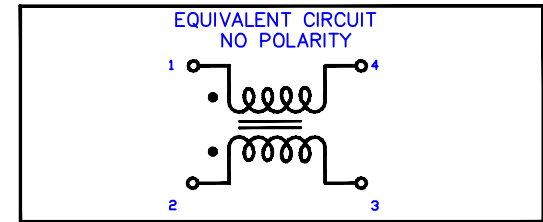
CM2021Y330R-10



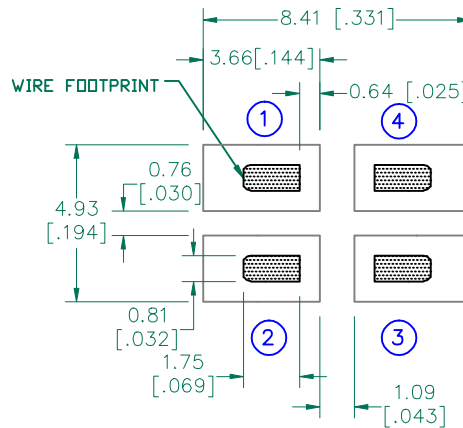
	Z in (Ω)			DCR (Ω)	Rated Current (Continuous)
	⊙ 25 MHz	⊙ 100 MHz	⊙ 300 MHz		
Nominal (Ref.)	20	33	36		
Minimum	-	25	-		
Maximum	-	-	-	.00075	15,000 mA

NOTES: UNLESS OTHERWISE SPECIFIED

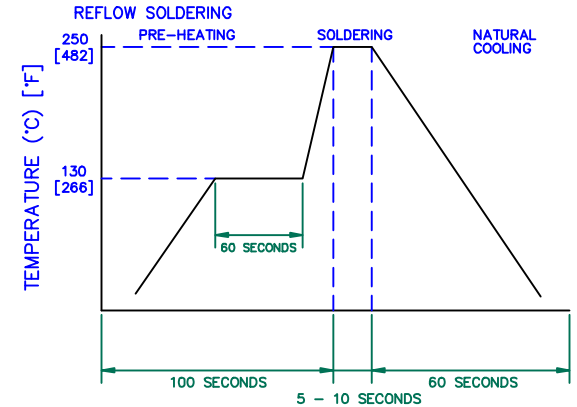
1. TAPED AND REELED per CURRENT EIA SPECIFICATIONS, 13" REELS, 2500 PCS PER REEL
2. COMPONENTS SHOULD BE ADEQUATELY PREHEATED BEFORE SOLDERING.
3. REF.CARRIER TAPE SPECIFICATION – PENDING
4. THIS PART HAS NO PIN POLARITY.
5. TERMINATION FINISH IS 100% TIN.



LAND PATTERNS FOR REFLOW SOLDERING



RECOMMENDED SOLDERING CONDITIONS



UNCONTROLLED DOCUMENT

DIMENSIONS ARE IN mm [INCHES].				This print is the property of Laird Tech. and is loaned in confidence subject to return upon request and with the understanding that no copies shall be made without the written consent of Laird Tech. All rights to design or invention are reserved.			
G	UPDATE COMPANY LOGO	04/28/09	JRK	PROJECT/PART NUMBER: CM2021Y330R-10	REV G	PART TYPE: ASSEMBLY	DRAWN BY: JRK
F	CHANGE CORE P/N ON SHEET 3	11/13/07	JRK				
E	UPDATE COMPANY LOGO	05/17/07	JRK				
D	INTERCHANGE DIMENSIONS A,B&C UPDATE CURVES ADD EQUIV CIRCUIT	03/30/06	JRK				
C	CORRECT T3 DIMS ON SHEET 3	02/20/06	JRK	DATE: 07/27/05	SCALE: 7 : 1	SHEET: 2 of 3	
B	CHG CURRENT RATING FROM 10,000 mA	11/07/05	JRK	GAD #	TOOL #		
A	ORIGINAL DRAFT	07/27/05	JRK	CM2021Y330R-10-G	H0220		
REV	DESCRIPTION	DATE	INT				

Mouser Electronics

Authorized Distributor

Click to View Pricing, Inventory, Delivery & Lifecycle Information:

Laird:

[CM2021Y330R-10](#) [CM2722R800R-10](#) [CM3322P400R-10](#)