



CUSTOMER:

CUSTOMER PN:

UCC PN: E82D500VNN122MP25T

UCC MAXCIM NO.: 88606

ELECTRICAL CRITERIA

CAPACITANCE (120Hz/20°C): 1200 μ F
 CAP.TOLERANCE: ± 20 %
 RATED VDC 50 V
 SURGE VDC (30 sec): 63 V
 MAX. ESR (120Hz/20°C): 148 m Ω
 MAX. IRMS (120Hz/85°C): 1.71 A
 MAX. DCL (V_{DC}/5:00/20°C): 0.980 mA

MECHANICAL CRITERIA

MAX. VIBRATION: 10-55Hz 10g

OPERATING CRITERIA

MAX. TEMPERATURE: +85 °C
 MIN. TEMPERATURE: -40 °C
 LOAD LIFE (VDC/85°C): 2000 Hrs
 MAX. Δ CAP. (measured value): ≤ 15 %
 MAX.ESR δ (specified value): ≤ 1.5 x
 MAX. DCL (V_{DC}/5:00/20°C): 0.980 mA
 SHELF LIFE (85°C): 500 Hrs
 MAX. Δ CAP. (measured value): ≤ 15 %
 MAX.ESR δ (specified value): ≤ 1.3 x
 MAX. DCL (V_{DC}/5:00/20°C): 1.960 mA

IRMS FREQUENCY MULTIPLIERS

VDC	50-60	300-1k	>1k
16-49	0.85	1.10	1.15
50-199	0.83	1.15	1.20
200-500	0.80	1.30	1.40

IRMS AMBIENT MULTIPLIERS

55°C	65°C	75°C	85°C
2.00	1.70	1.40	1.00

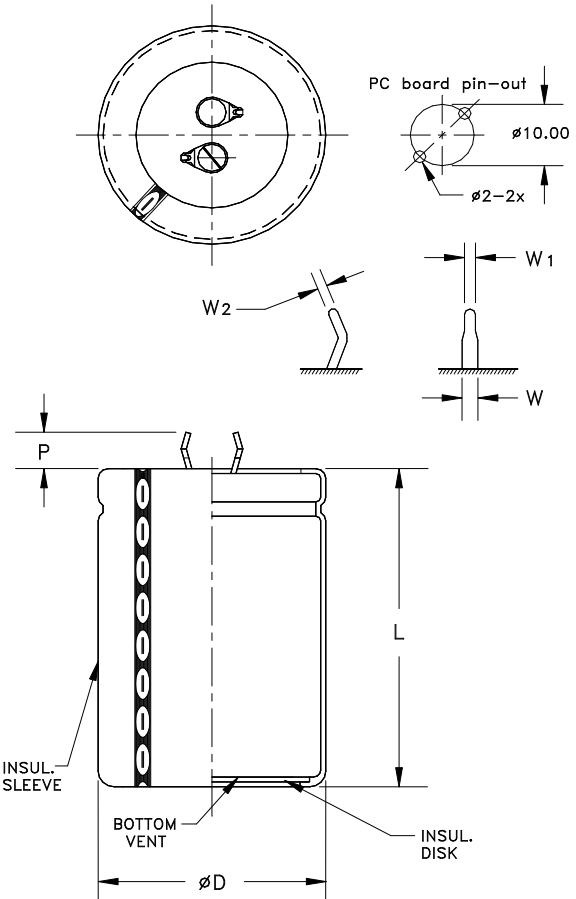
SPECIAL

RoHS Compliant

DIMENSIONAL CRITERIA				
X	mm		in	
	ϕ D	22.0	- NA	+ 1.0
L	25.0	- 2.0	+ 2.0	
P	5.8	- 1.0	+ 1.0	
W	1.5	- 0.2	+ 0.2	
W1	1.0	- 0.1	+ 0.1	
W2	1.0	- 0.1	+ 0.1	

MARKING

82D 85°C
 1200uF(M) 50 V
 Date Code



TDS NO.: TDS-08-0588
 AUTHOR: LMI
 DATE: 02-OCT-2008

Mouser Electronics

Authorized Distributor

Click to View Pricing, Inventory, Delivery & Lifecycle Information:

[United Chemi-Con \(UCC\):](#)

[E82D500VNN122MP25T](#) [E82D451VNN151MR30T](#)