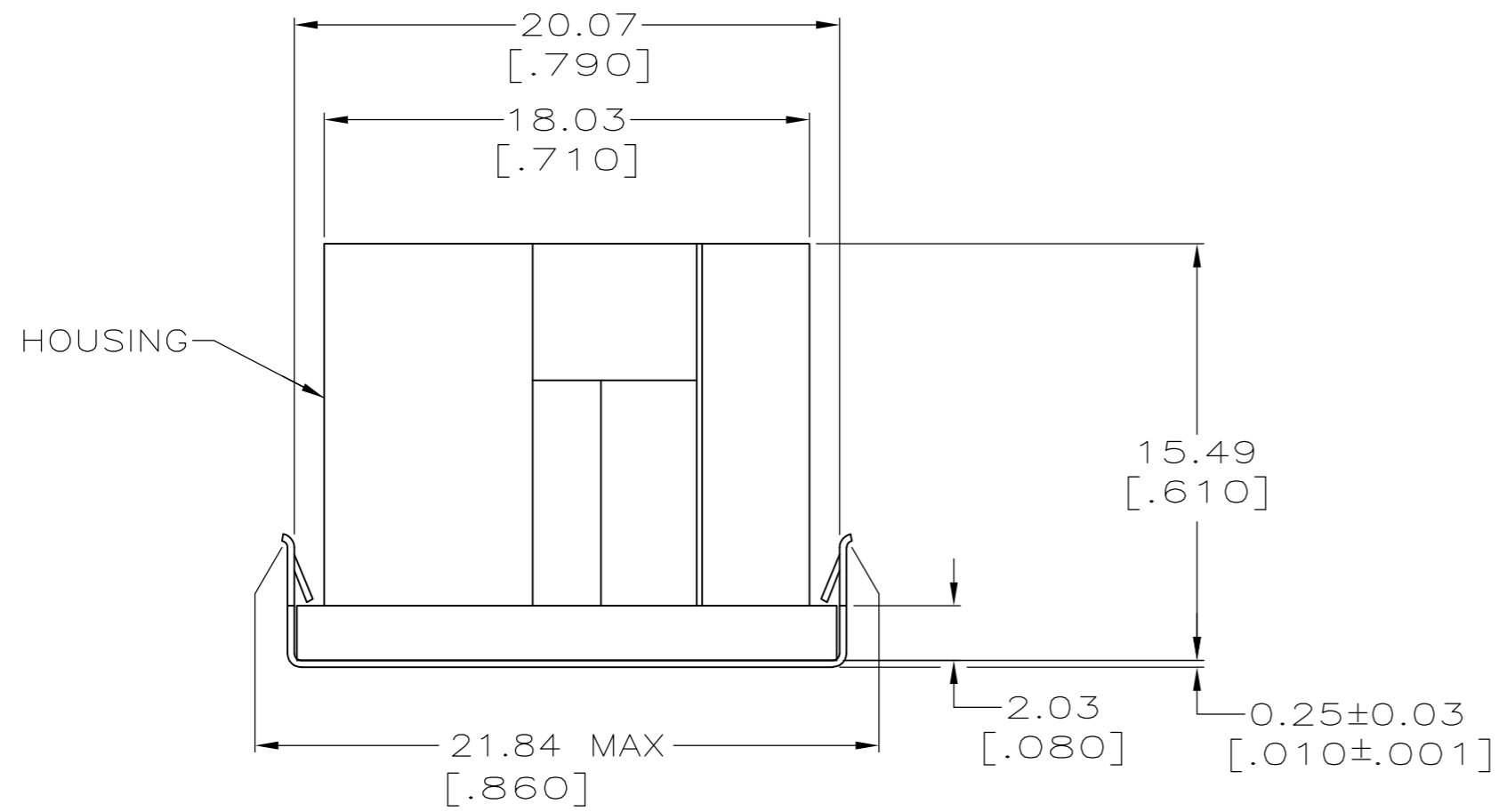
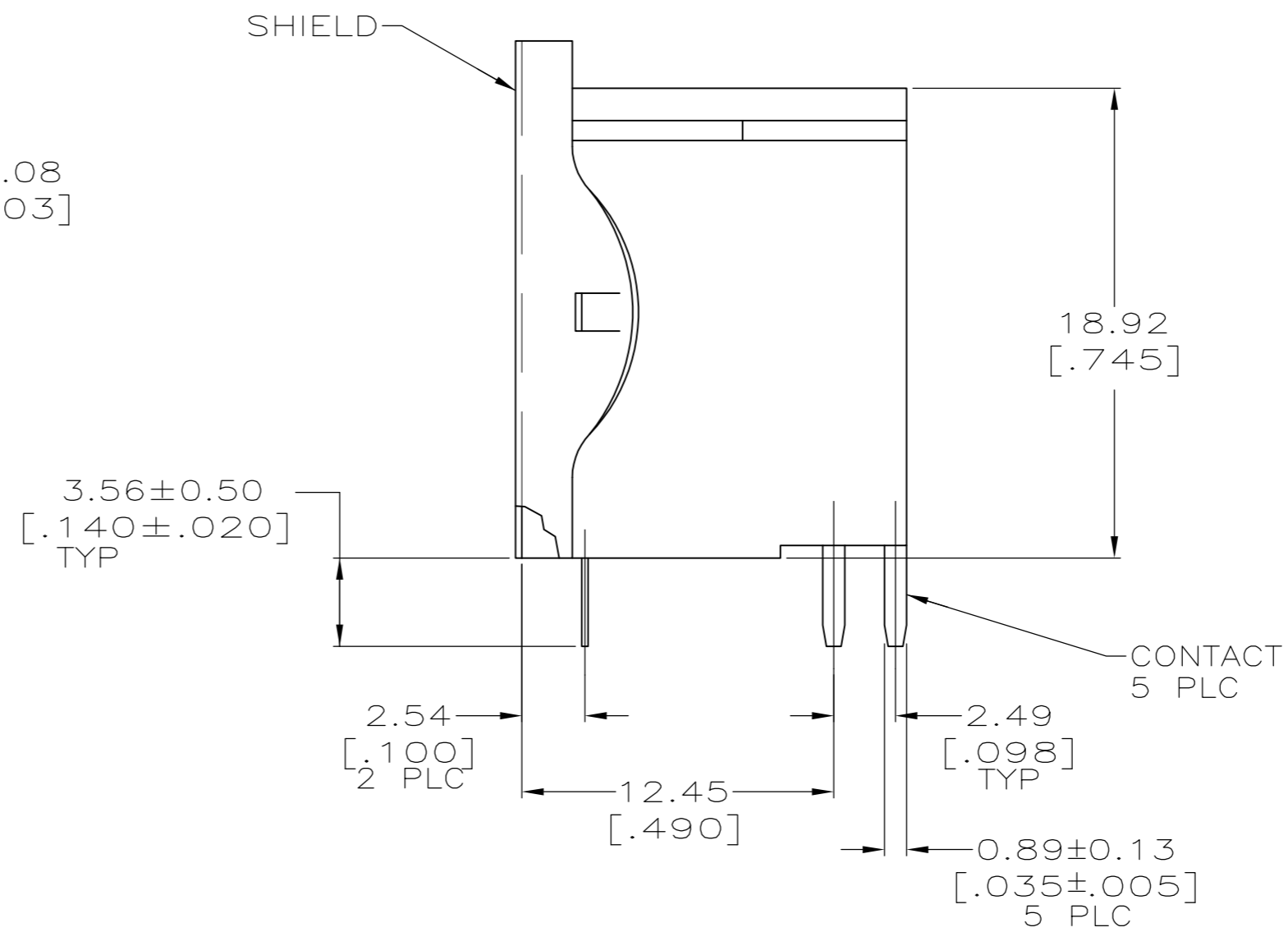
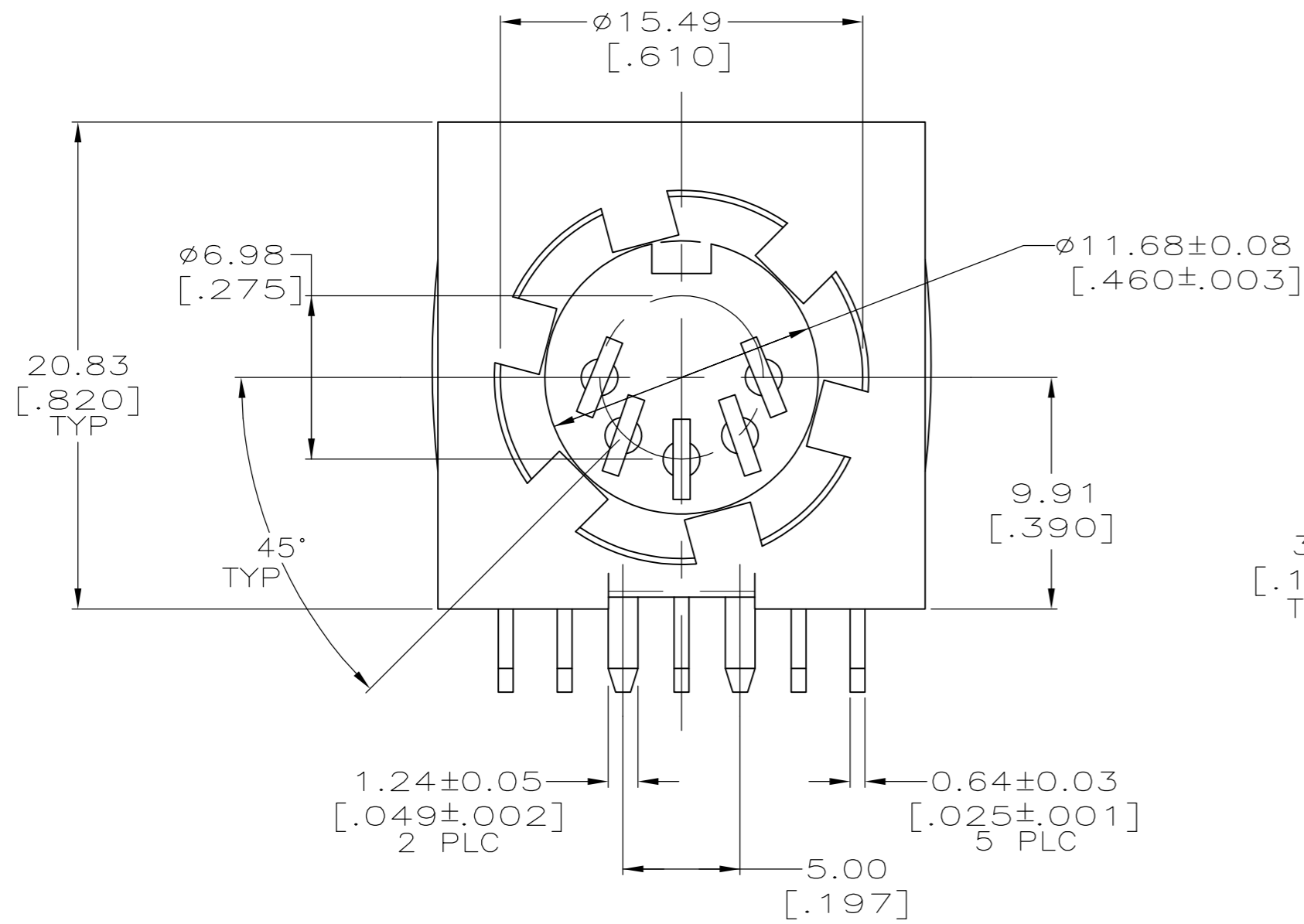


THIS DRAWING IS UNPUBLISHED. RELEASED FOR PUBLICATION
 © COPYRIGHT - By - ALL RIGHTS RESERVED.

LOC	DIST	REVISIONS					
GP	00	P	LTR	DESCRIPTION	DATE	DWN	APVD
		P		REVISED PER ECO-11-004835	11MAR11	RK	HMR



- 1 HOUSING: NYLON, UL 94V-0 RATED, BLACK.
- 2 SHIELD & CONTACTS: BRASS PER ASTM B 36.
- 3 SHIELD & CONTACTS: 2.54µm [.000100] MIN TIN OVER 1.27µm [.000050] MIN NICKEL.



GANG OF TUBES	5212044-1
PACKAGING TYPE	PART NO

THIS DRAWING IS A CONTROLLED DOCUMENT.		DWN	L. VARELA - DOCK5	12-11-04	 TE Connectivity
DIMENSIONS: mm [INCHES]		CHK	C. ROHDE	12-11-04	
TOLERANCES UNLESS OTHERWISE SPECIFIED:		APVD	M. WALMSLEY	12-11-04	
0 PLC ± - 1 PLC ± - 2 PLC ± 0.25 [.010] 3 PLC ± - 4 PLC ± - ANGLES ± 2°		PRODUCT SPEC	108-10047	NAME	
MATERIAL	FINISH	APPLICATION SPEC	114-40025	SIZE	A2
1 2 3		WEIGHT	-	CAGE CODE	00779
CUSTOMER DRAWING			SCALE	4:1	SHEET
				1 of 1	REV
					P

Mouser Electronics

Authorized Distributor

Click to View Pricing, Inventory, Delivery & Lifecycle Information:

[TE Connectivity:](#)

[5212044-1](#)