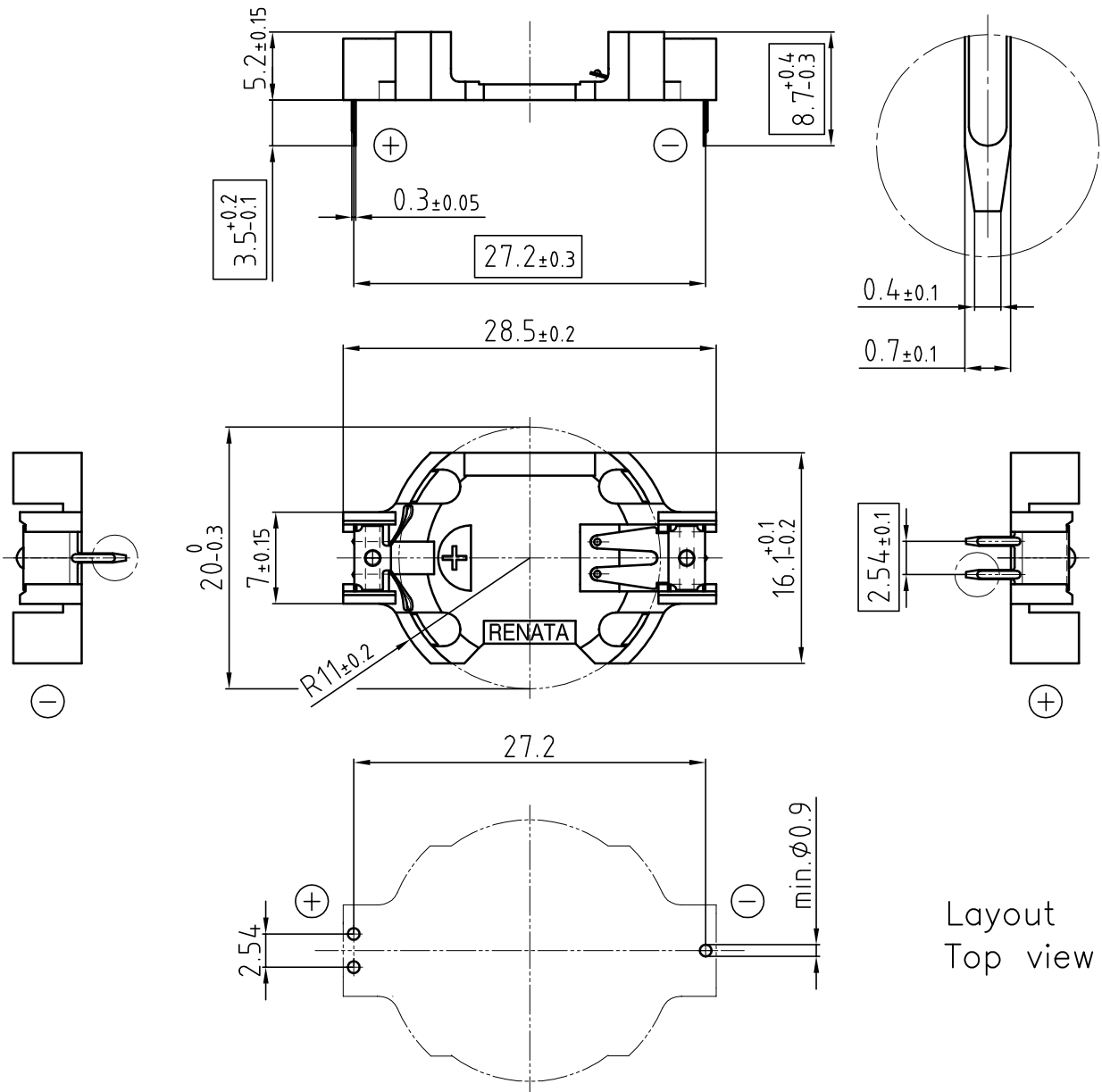


Art.-Number: 701106



Samples can deviate in the execution from the serie.

- Holder material : heat resistant, glass-fiber reinforced LCP
- Battery contacts : spring stainless steel 301 nickel plated throughout
- Solder contacts : spring stainless steel 301 solder area tin-plated throughout, min. thickness $5\mu\text{m}$

All framed values will be used for dimension checking !

Dimensions and tolerances can be specified only after the testing of the devices for the mass production definitely

Rev.	①	10.09.07	M Ci	Rev.	○				Customer's Approval		
Rev.	②	17.09.10	Wu Ping	Rev.	○				Date		
Rev.	○			Rev.	○				Signature		
Titel:								Scale 2:1	Drawn	20.01.05	SRi
HU2032-LF									Checked	23.09.10	SRi
									Approved		
				CH-4452 Itingen Switzerland				3.8751.4-2			

Mouser Electronics

Authorized Distributor

Click to View Pricing, Inventory, Delivery & Lifecycle Information:

[Renata:](#)

[HU2032-LF](#)