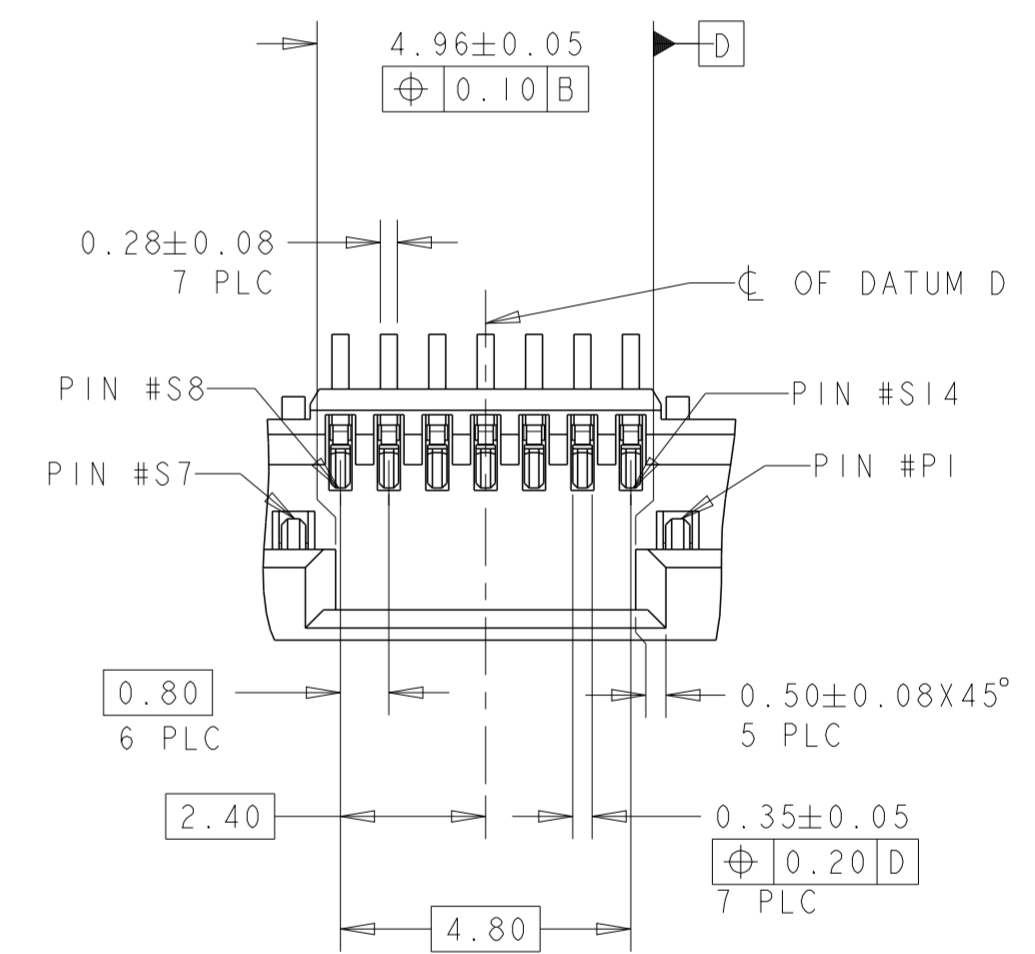
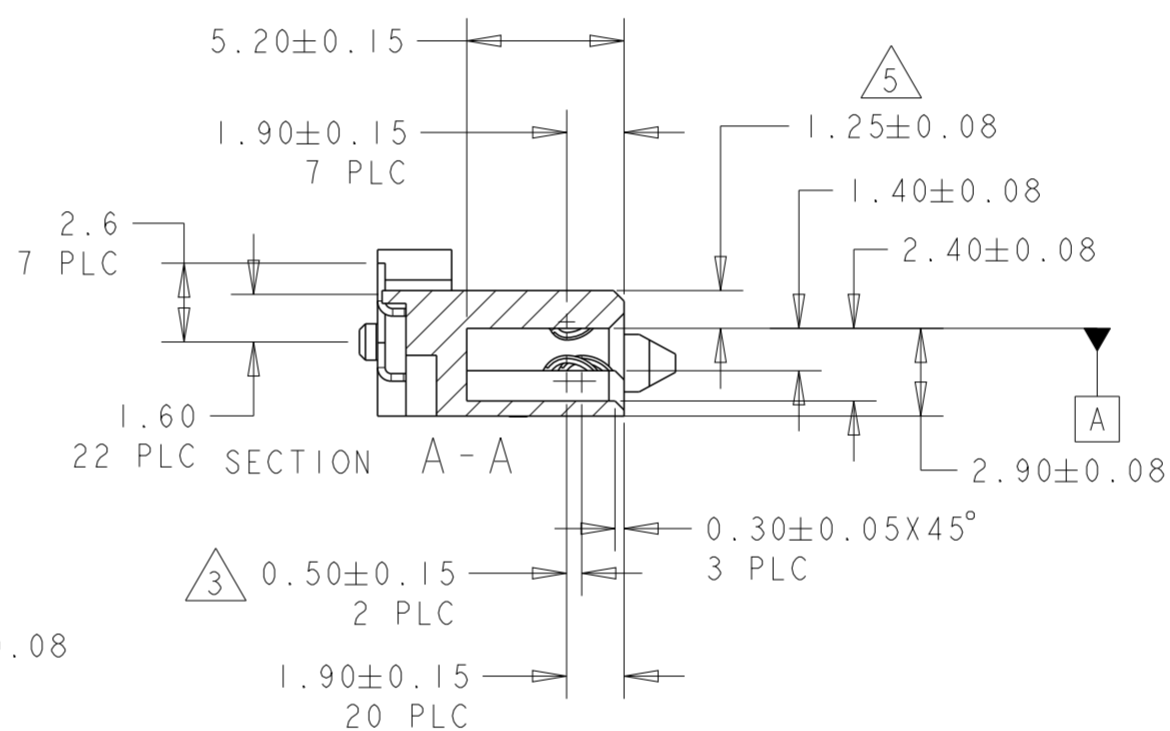
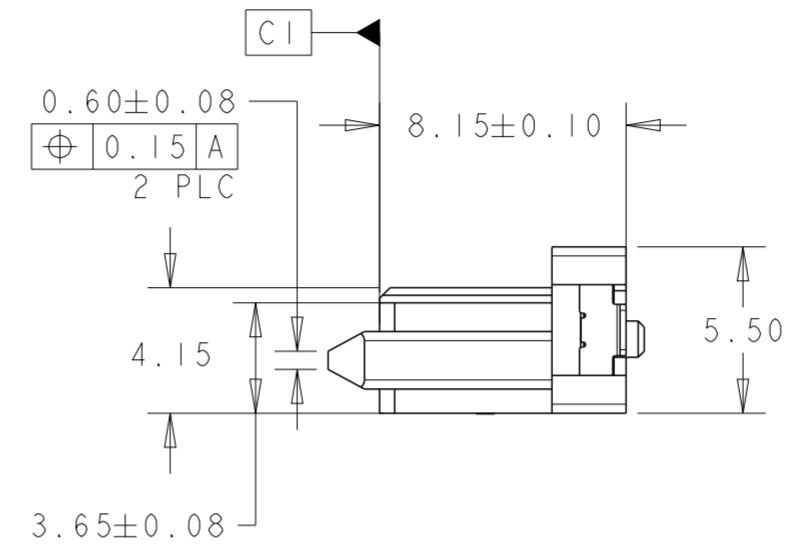
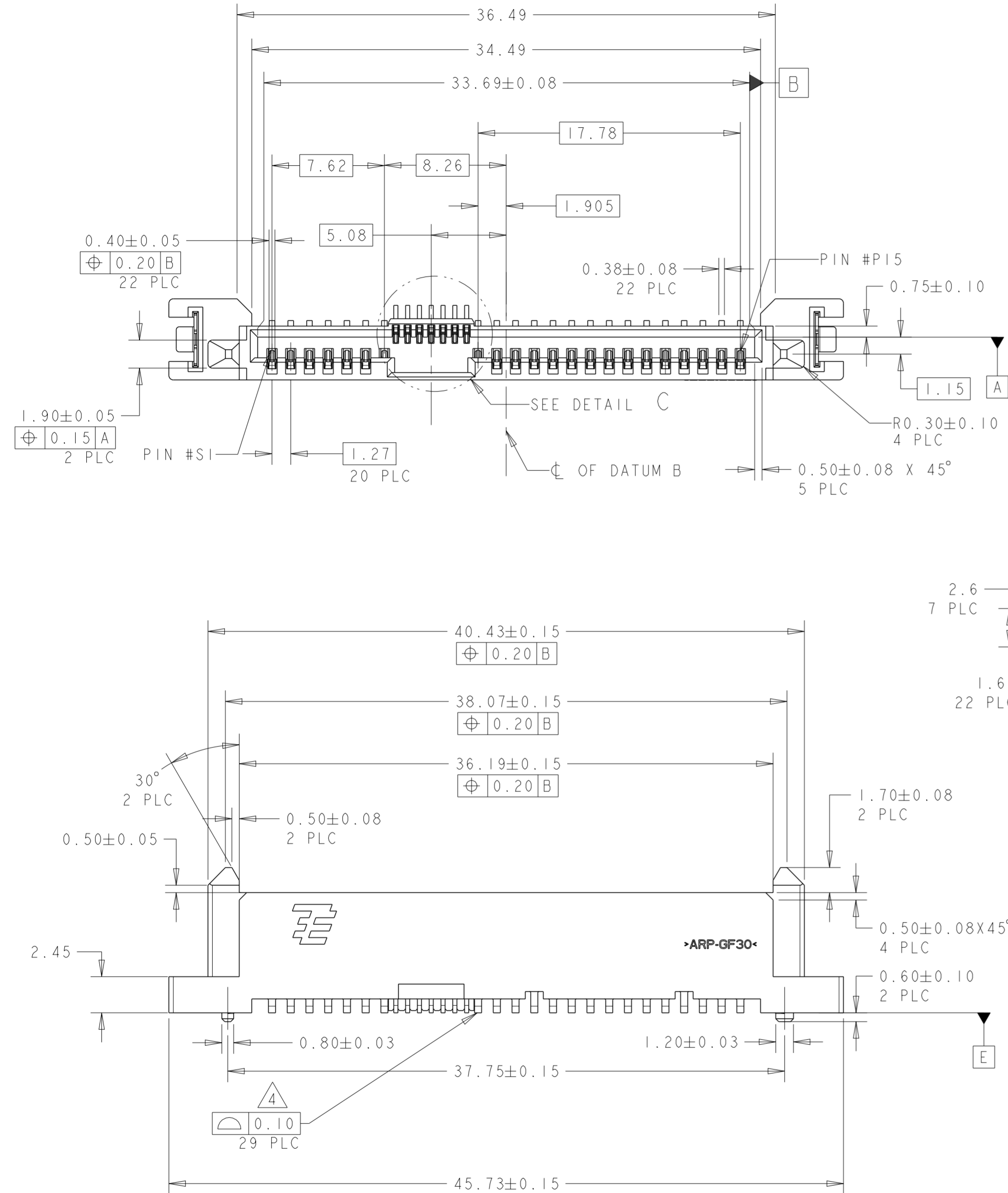


THIS DRAWING IS UNPUBLISHED. RELEASED FOR PUBLICATION 20
 © COPYRIGHT 20 BY - ALL RIGHTS RESERVED.

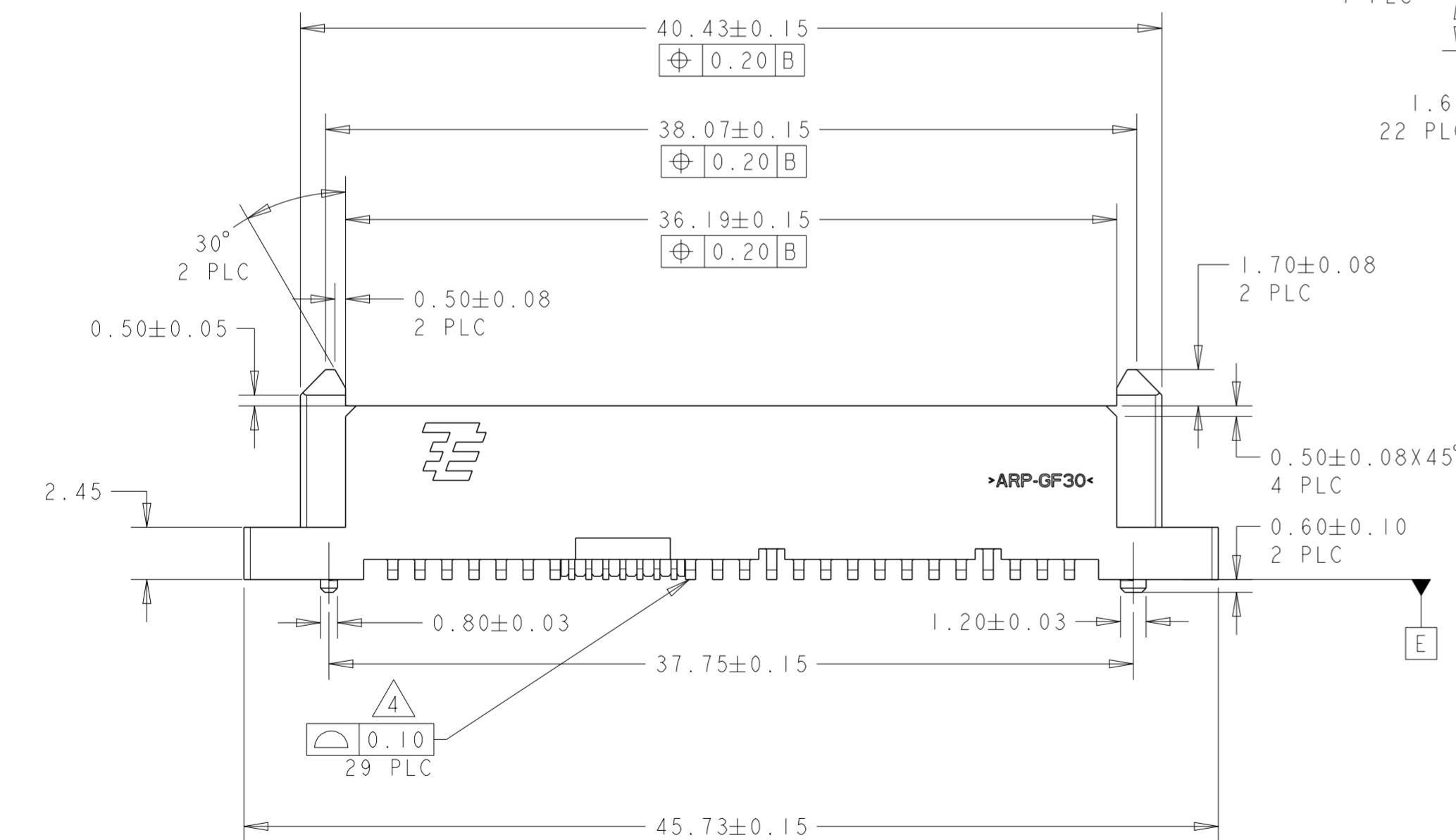
REVISIONS					
P	LTR	DESCRIPTION	DATE	DWN	APVD
-	AI	PER ECR-14-008896	16JUN2014	BL	JY



DETAIL C
SCALE 8:1

NOTES:

- 1 MATERIAL:
HOUSING: HIGH TEMP THERMOPLASTIC, UL94V-0,
COLOR: BLACK
CONTACT: COPPER ALLOY
- 2 FINISH:
CONTACT AREA: MIN 0.76um GOLD PLATING
SOLDERTAIL: MIN 2.54um MATTE TIN PLATING
UNDERPLATE: MIN 1.27um NICKEL PLATING
- 3 PIN #P4 AND #P12 ONLY
- 4 SOLDERTAIL TO BE 0.05 MAX ABOVE AND
0.10 MAX BELOW DATUM E
- 5 1.33 MAX MEASURED AT DATUM C



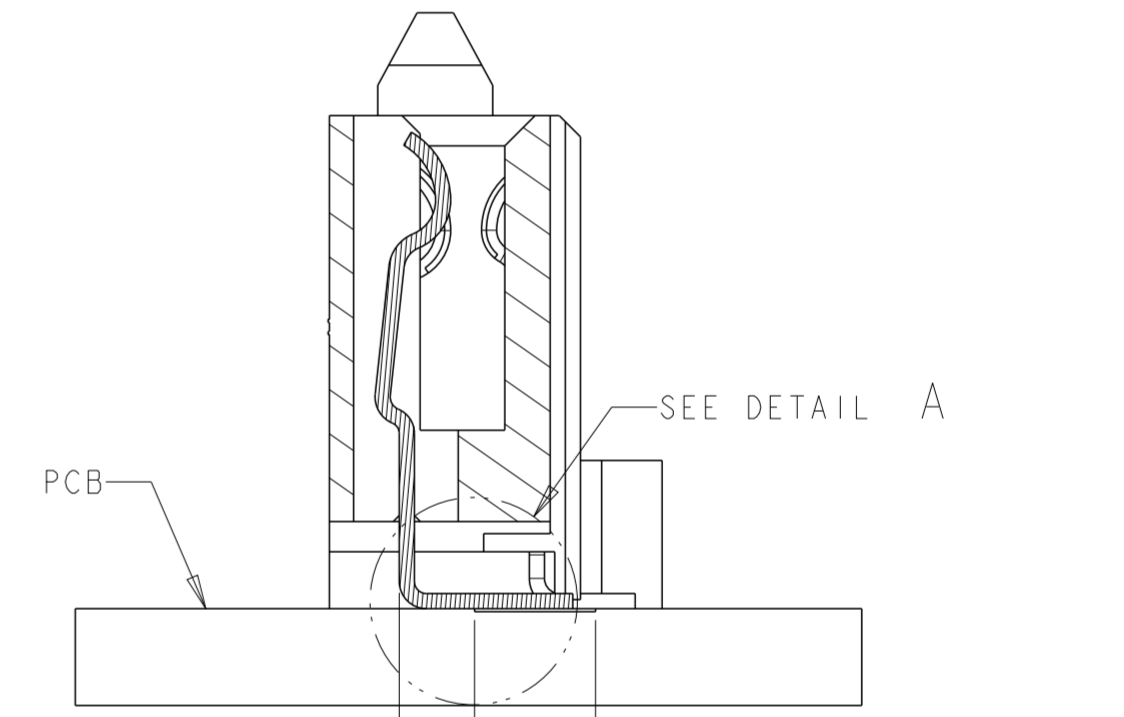
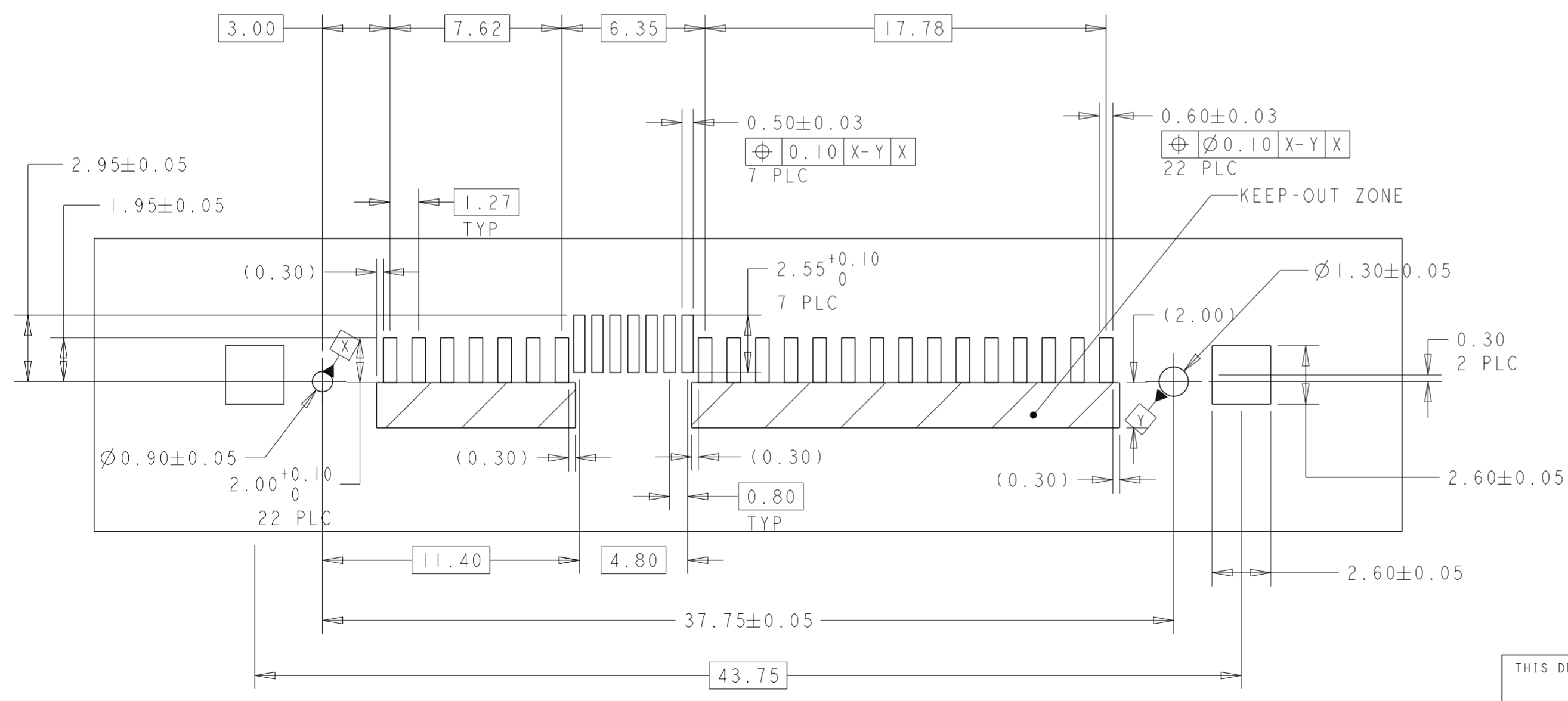
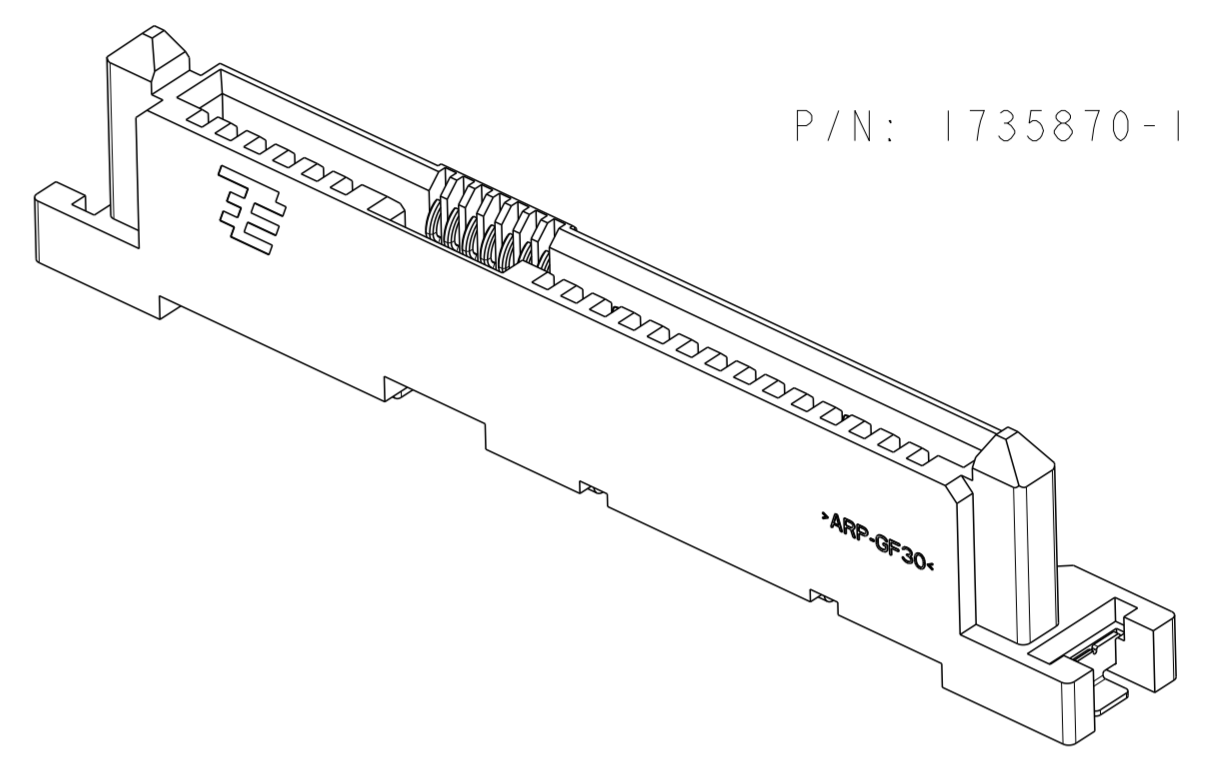
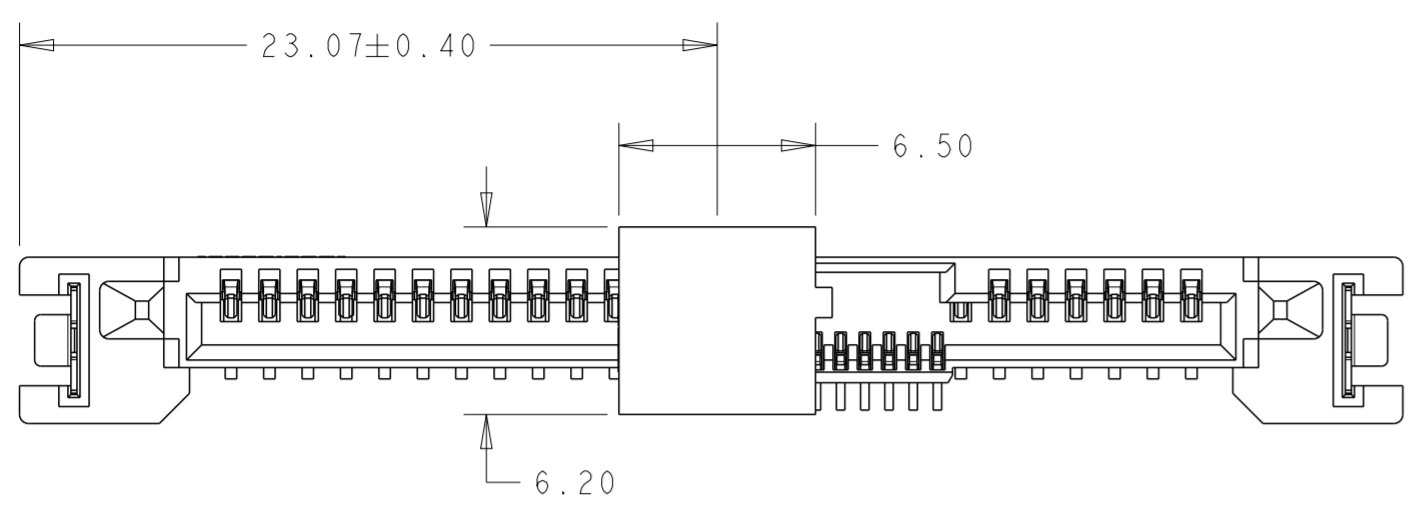
P/N: 1735870-1 AS SHOWN

THIS DRAWING IS A CONTROLLED DOCUMENT.		DWN TY PANG 15MAR2011	TE Connectivity		
DIMENSIONS: mm		CHK SF LEONG 15MAR2011			
TOLERANCES UNLESS OTHERWISE SPECIFIED:		APVD SF LEONG 15MAR2011	NAME SAS BACKPLANE RECEPTACLE, VERTICAL, SMT, SMT SOLDER PEG		
		PRODUCT SPEC 108-51067	SIZE A2		
MATERIAL		APPLICATION SPEC	CAGE CODE	DRAWING NO 1735870	RESTRICTED TO
1		WEIGHT	-	SCALE 4:1	SHEET 1 OF 2
2		CUSTOMER DRAWING		REV A1	

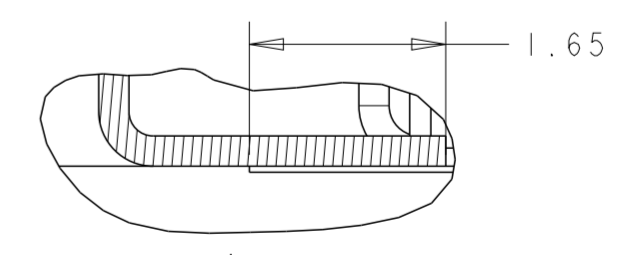
THIS DRAWING IS UNPUBLISHED. RELEASED FOR PUBLICATION 20
 © COPYRIGHT 20 BY - ALL RIGHTS RESERVED.

P/N: 1735870-1 WITH CAP AS SHOWN

REVISIONS					
P	LTR	DESCRIPTION	DATE	DWN	APVD
-		SEE SHEET 1	-	-	-



SECTION T-T
VIEW OF PRIMARY CONTACT ON PCB



DETAIL A
SCALE 16:1

RECOMMENDED PCB LAYOUT
SCALE 5:1

THIS DRAWING IS A CONTROLLED DOCUMENT.		DWN TY PANG 15MAR2011	TE Connectivity		
DIMENSIONS: mm		CHK SF LEONG 15MAR2011			
TOLERANCES UNLESS OTHERWISE SPECIFIED:		APVD SF LEONG 15MAR2011	NAME SAS BACKPLANE RECEPTACLE, VERTICAL, SMT, SMT SOLDER PEG		
0 PLC ±		PRODUCT SPEC 108-51067	SIZE A2		
1 PLC ±		APPLICATION SPEC	CAGE CODE -		
2 PLC ±0.20		WEIGHT -	DRAWING NO G-1735870		
3 PLC ±		CUSTOMER DRAWING	RESTRICTED TO -		
4 PLC ±		SCALE 4:1	SHEET 2 OF 2		
ANGLES ±3°			REV A1		
FINISH -					
MATERIAL TBD					

Mouser Electronics

Authorized Distributor

Click to View Pricing, Inventory, Delivery & Lifecycle Information:

[TE Connectivity:](#)

[1735870-1](#)