

THIS DRAWING IS UNPUBLISHED.

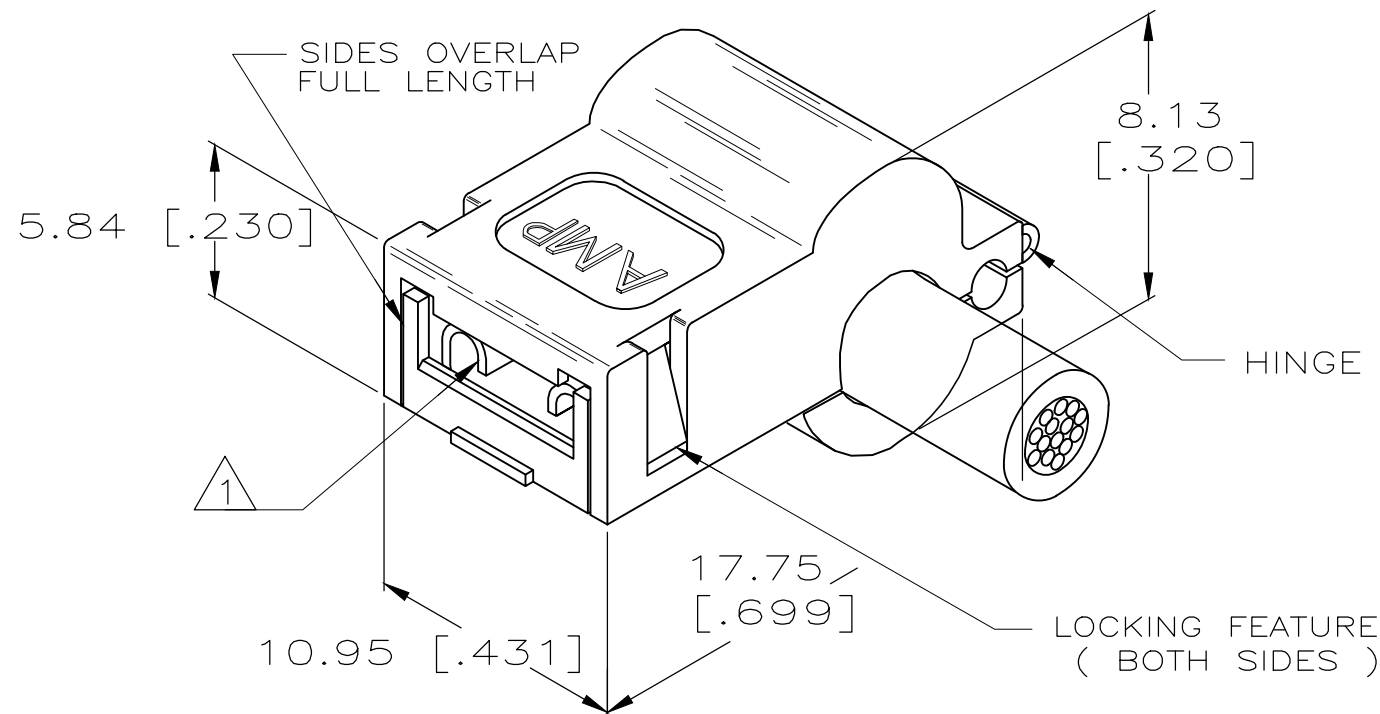
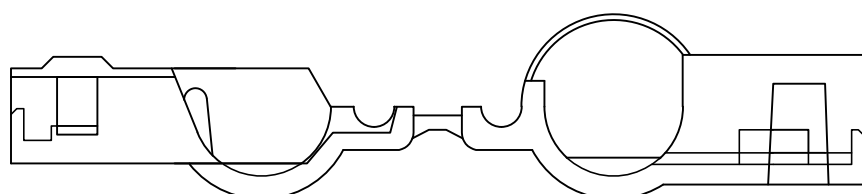
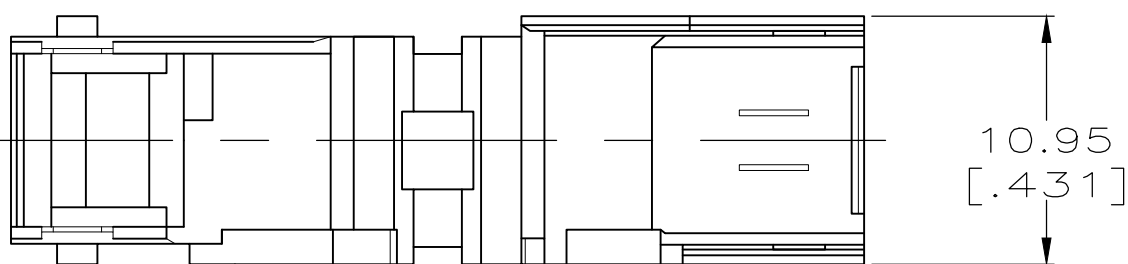
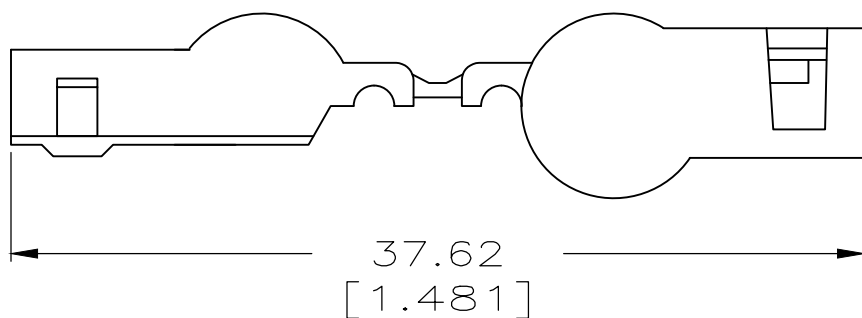
RELEASED FOR PUBLICATION

REVISIONS

© COPYRIGHT - TE Connectivity Ltd.

ALL RIGHTS RESERVED.

P	LTR	DESCRIPTION	DATE	DWN	APVD
	G4	REV PER ECO-19-006176	18APR2019	RS	DS



NOTES:

- 1 4.75 [.187] SERIES TAB-LOK FLAG FASTON RECEPTACLE. TERMINAL NUMBERS 42486, 42618, 42800, AND 60820.
- 2 SEE CP-29349 FOR RECOMMENDED TAB DETAILS.
- 3 CONTINUOUS STRIP ON REELS.
- 4 LOOSE PIECE (ONE POD).
- 5 GLOW WIRE APPROVED, CONTACT TYCO ELECTRONICS FOR ENGN SPECIFICATIONS, ALL WALL THICKNESSES ARE BETWEEN 0.4mm AND 3.0mm.
- 6 AGENCY APPROVAL IS PENDING

TYPE	MATERIAL	PART NO.
4 LOOSE PIECE	5 6 66 NYLON VOGWT 130C	480487-4
4 LOOSE PIECE	5	1-480487-4
4 LOOSE PIECE	6/6 NYLON, VO	1-480487-3 6
4 LOOSE PIECE	6/6 NYLON	1-480487-2
3 STRIP	6/6 NYLON	1-480487-0

OBSOLETE

THIS DRAWING IS A CONTROLLED DOCUMENT.		DWN JR RUTH 6/27/97	STE TE Connectivity		
DIMENSIONS: mm [INCHES]		CHK MS FEHER 6/27/97			
TOLERANCES UNLESS OTHERWISE SPECIFIED:		APVD R BEAVER 6/27/97	NAME HOUSING, AMPIP, FASTON, TAB-LOK, 4.75 [.187] SERIES		
0 PLC ± -		PRODUCT SPEC	SIZE	CAGE CODE	DRAWING NO
1 PLC ± -		APPLICATION SPEC	A3	00779	C-480487
2 PLC ± 0.38 [.015]		WEIGHT 0.000000	RESTRICTED TO		
3 PLC ± -		CUSTOMER DRAWING	SCALE 3:1	SHEET 1 OF 1	REV G4
4 PLC ± -					
ANGLES ± -					
FINISH NATURAL					
MATERIAL SEE TABLE					