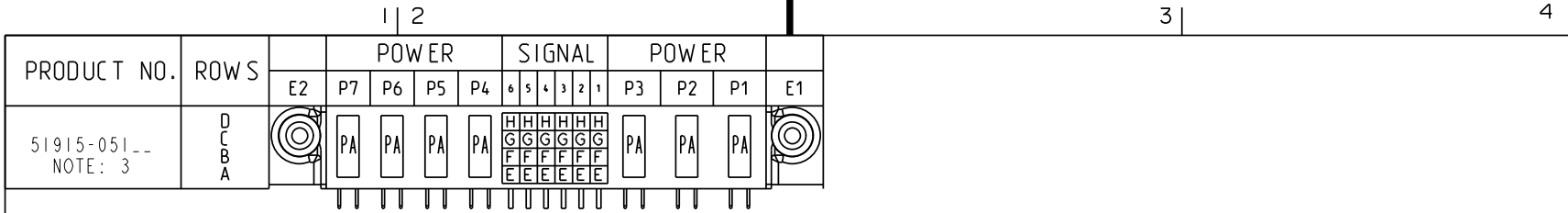


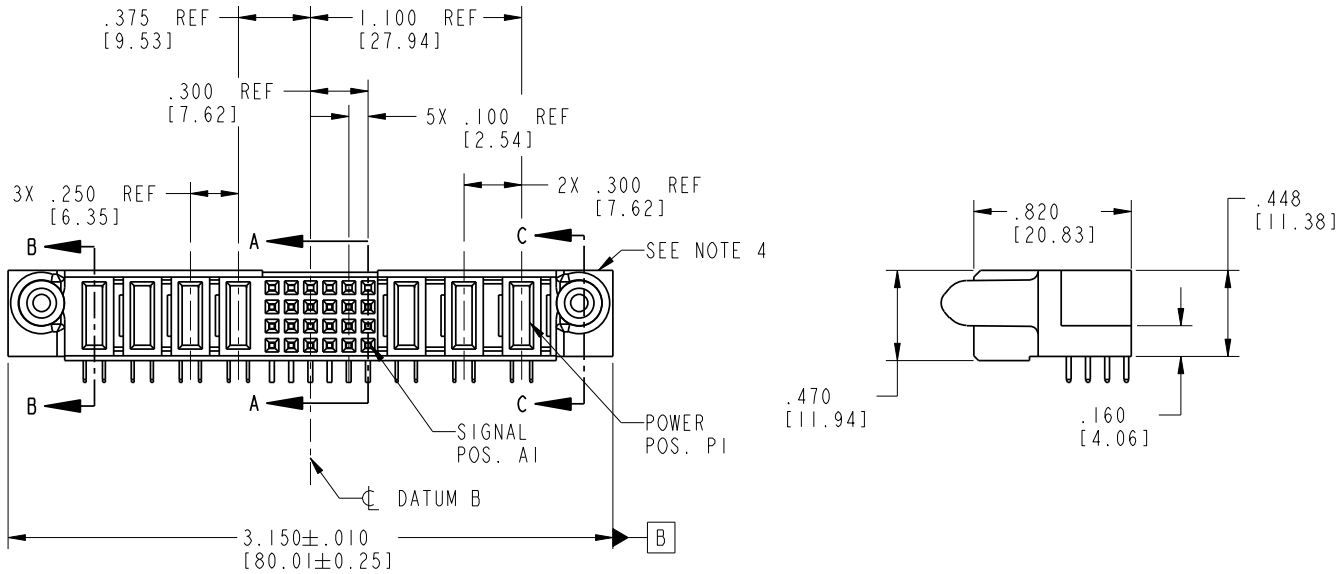
Tous droits strictement reserves. Reproduction ou communication a des tiers interdite sous quelque forme que ce soit sans autorisation ecrite du proprietaire. Propriete de c FCI. Droits de reproduction FCI.

All rights strictly reserved. Reproduction or issue to third parties in any form whatever is not permitted without written authority from the proprietor. Property of FCI. Copyright FCI.



51915-051--
NOTE: 3

D
C
B
A



| CODE | DIM "M" MATING LENGTH | CONTACT TYPE |
|------|-----------------------------|-----------------|
| E | N/A [N/A] | SIGNAL |
| F | N/A [N/A] | SIGNAL |
| G | N/A [N/A] | SIGNAL |
| H | N/A [N/A] | SIGNAL |
| PA | .042 [1.07] | POWER |

| lir | ecn no. | dr | date | linear | tolerances unless otherwise specified |
|-------------|----------------|-----|----------|------------------------|---------------------------------------|
| A | V04-0633 | TAB | 06/15/04 | .XX±.01/0.X±0.3 | |
| B | DG06-0158 | JMG | 04/12/06 | .XXX±.005/0.XX±0.13 | |
| | | | | .XXX±.0020/0.XXX±0.051 | |
| | | | | angles | 0°±2° |
| | | | | dr | T. BRUNGARD 06/15/04 |
| | | | | enrg | M. GRAY 06/15/04 |
| | | | | chr | M. GRAY 06/15/04 |
| | | | | appd | M. GRAY 06/15/04 |
| sheet index | revision sheet | B 1 | B 2 | B 3 | B 4 |

| CUSTOMER |
|------------|
| COPY |
| projection |
| INCH/MM |
| scale |
| 1:1 |

| FCI | | www.fciconnect.com | |
|-----------------------|-----------|--------------------|--------|
| title | | | |
| 3ACP + 24S + 4P | | | |
| R/A SOLDER RECEPTACLE | | | |
| product family | PwrBlade | code | 213 |
| size | dwg no | sheet | 1 of 4 |
| A | 51915-051 | | |

1 | 2

Pro/E

PDM: Rev: B

STAT US: Released

Printed: Dec 20, 2010

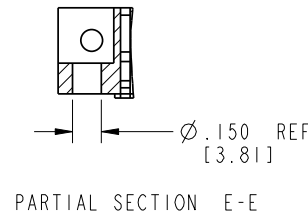
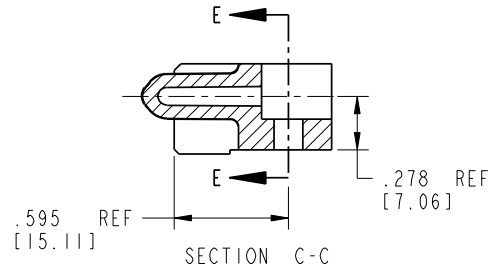
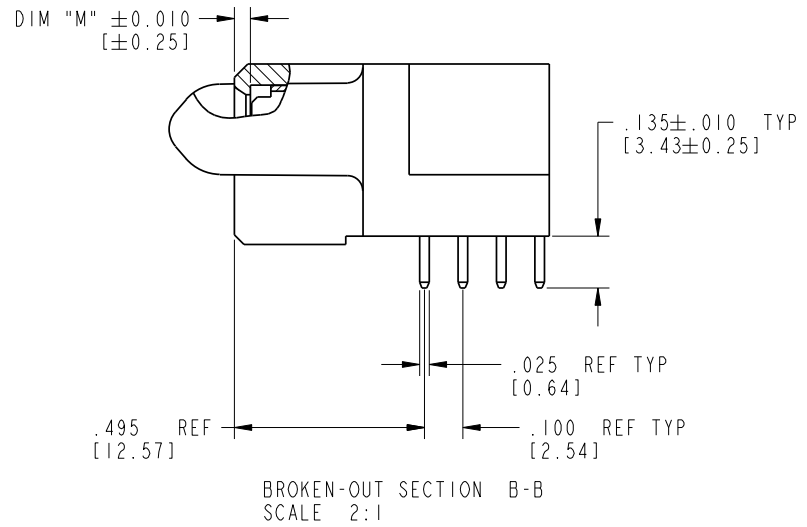
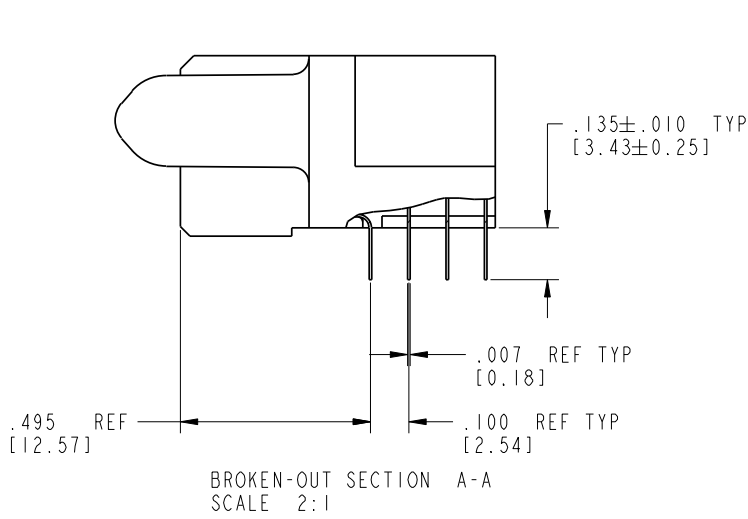
Tous droits strictement reserves. Reproduction ou communication a des tiers interdite sous quelque forme que ce soit sans autorisation ecrite du proprietaire. Propriete de c FCI. Droits de reproduction FCI.

All rights strictly reserved. Reproduction or issue to third parties in any form whatever is not permitted without written authority from the proprietor. Property of FCI. Copyright FCI.



PRODUCT NUMBER

51915-051__
NOTE: 3



| | | | | | | | | | |
|-------------|----------------|------------|------|---------------------------------------|------------------------|------------|--|--|--|
| mol'l code | | SEE NOTE 2 | | tolerances unless otherwise specified | | CUSTOMER | | FCI | |
| lir | ecn no. | dr | date | linear | .XX±.01/0.X±0.3 | COPY | | www.fciconnect.com | |
| B | | | | linear | .XX±.005/0.XX±0.13 | projection | | title | |
| | | | | angles | .XXX±.0020/0.XXX±0.051 | INCH/MM | | 3ACP + 24S + 4P R/A SOLDER RECEPTACLE | |
| | | | | dr | 0°±2° | scale | | product family | |
| | | | | enrg | T. BRUNGARD 06/15/04 | 1:1 | | PwrBlade | |
| | | | | chr | M. GRAY 06/15/04 | | | code | |
| | | | | appd | M. GRAY 06/15/04 | | | 213 | |
| sheet index | revision sheet | | | | | | | size | |
| | | | | | | | | A 51915-051 | |
| | | | | | | | | sheet | |
| | | | | | | | | 2 of 4 | |

A

B

A

B

1 | 2

3 |

4

1 | 2

Pro/E

PDM: Rev: B

STAT US: Released

Printed: Dec 20, 2010

cage code 2856

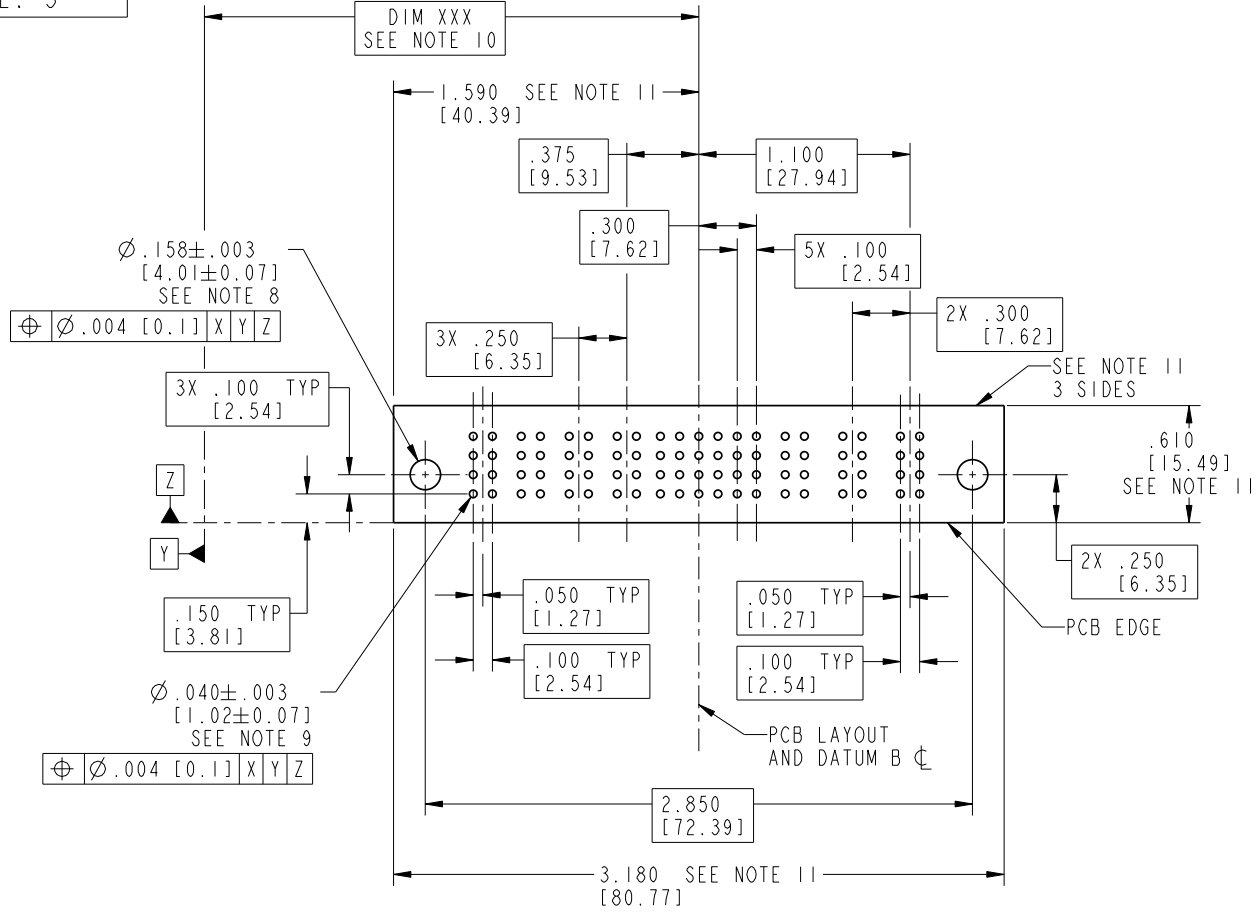
Tous droits strictement réservés. Reproduction ou communication a des tiers interdite sous quelque forme que ce soit sans autorisation écrite du propriétaire. Propriété de c FCI. Droits de reproduction FCI.

All rights strictly reserved. Reproduction or issue to third parties in any form whatever is not permitted without written authority from the proprietor. Property of FCI. Copyright FCI.



PRODUCT NUMBER

51915-051__
NOTE: 3



| | | | | | | | | | |
|-------------|----------------|------------|------|---------------------------------------|------------------------|------------|--|----------------------------------|--|
| mat'l code | | SEE NOTE 2 | | tolerances unless otherwise specified | | CUSTOMER | | FCI | |
| lir | ecn no. | dr | date | linear | .XX±.01/0.X±0.3 | COPY | | www.fciconnect.com | |
| B | | | | linear | .XX±.005/0.XX±0.13 | projection | | title 3ACP + 24S + 4P | |
| | | | | angles | .XXX±.0020/0.XXX±0.051 | INCH/MM | | R/A SOLDER RECEPTACLE | |
| | | | | dr | 0°±2° | scale | | product family PwrBlade code 213 | |
| | | | | enr | T. BRUNGARD 06/15/04 | 1:1 | | size dwg no | |
| | | | | chr | M. GRAY 06/15/04 | | | A 51915-051 | |
| | | | | appd | M. GRAY 06/15/04 | | | sheet 3 of 4 | |
| sheet index | revision sheet | | | | | | | | |

Tous droits strictement reserves. Reproduction ou communication a des tiers interdite sous quelque forme que ce soit sans autorisation écrite du propriétaire. Propriete de c.FCI. Droits de reproduction FCI.

All rights strictly reserved. Reproduction or issue to third parties in any form whatever is not permitted without written authority from the proprietor. Property of FCI. Copyright FCI.



1 | 2

3 |

4

PRODUCT NUMBER

51915-051__
NOTE: 3

NOTES:

1. DIMENSIONS AND TOLERANCES ARE IN ACCORDANCE WITH ASME Y14.5M, 1994 UNLESS OTHERWISE SPECIFIED.

CONNECTOR NOTES:

- 2. HOUSING MATERIAL: UL 94 V-0 GLASS FILLED
HIGH-TEMP THERMOPLASTIC
POWER CONTACT MATERIAL: COPPER ALLOY
SIGNAL PIN MATERIAL: COPPER ALLOY
 - 3. 51915-051;51915-051LF;51915-051GLF PLATING SPEC. SEE PRINT:10064183
 - 4. MANUFACTURER'S NAME, P/N, AND DATE CODE TO APPEAR ON THIS SURFACE.
 - 5. PRODUCT SPECIFICATION GS-12-149.
APPLICATION SPECIFICATION BUS-20-067.
 - 6. PACKAGED IN TRAYS.
- PCB NOTES:
- 7. ALL HOLE DIAMETERS ARE FINISHED HOLE SIZE.
 - 8. MOUNTING HOLES, WHERE APPLICABLE, ARE UNPLATED.
 - 9. $\varnothing .0453 \pm .0010$ [1.151 \pm 0.025] DRILLED HOLES PLATED WITH .0003 [0.008] MIN SnPb OVER .001 [0.03] TO .003 [0.08] Cu PLATING TO ACHIEVE $\varnothing .040 \pm .003$ [1.02 \pm .07] HOLE.
 - 10. "DIM XXX" TO BE DETERMINED BY THE CUSTOMER.
 - 11. CONNECTOR KEEP-OUT ZONE.

A

A

B

B

| | | | | | | | | | | | |
|-------------|----------------|------------|------|---------------------------------------|------------------------|-----------|--|--|--|--------------------|--|
| mol'l code | | SEE NOTE 2 | | tolerances unless otherwise specified | | CUSTOMER | | FCI | | www.fciconnect.com | |
| lir | ecn no. | dr | date | linear | .XX±.01/0.X±0.3 | COPY | | | | | |
| B | | | | projection | .XXX±.005/0.XX±0.13 | INCH/MM | | title 3ACP + 24S + 4P R/A SOLDER RECEPTACLE | | | |
| | | | | angles | .XXX±.0020/0.XXX±0.051 | INCH/MM | | product family PwrBlade | | code 213 | |
| | | | | dr | 0°±2° | scale 1:1 | | size A | | sheet 4 of 4 | |
| | | | | enr | T. BRUNGARD 06/15/04 | | | dwg no 51915-051 | | | |
| | | | | chr | M. GRAY 06/15/04 | | | | | | |
| | | | | appd | M. GRAY 06/15/04 | | | | | | |
| sheet index | revision sheet | | | | | | | | | | |

1 | 2

Pro/E

PDM: Rev: B

STAT US: Released

Printed: Dec 20, 2010

cage code 2856

4

Mouser Electronics

Authorized Distributor

Click to View Pricing, Inventory, Delivery & Lifecycle Information:

[FCI / Amphenol:](#)

[51915-051LF](#)