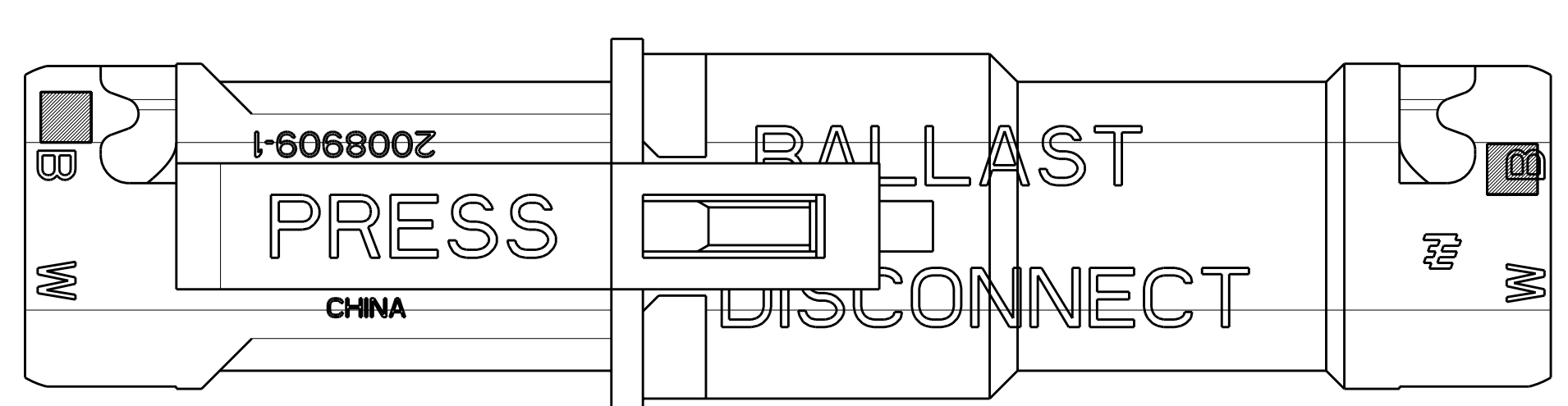
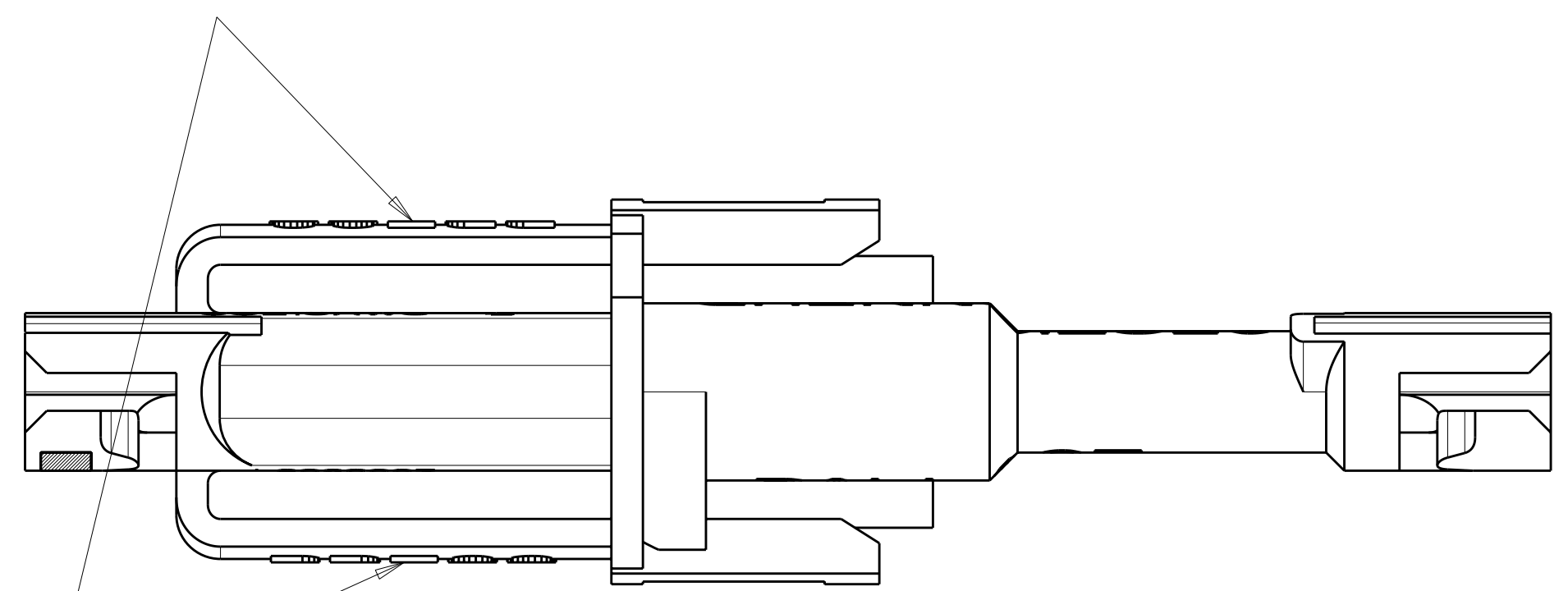
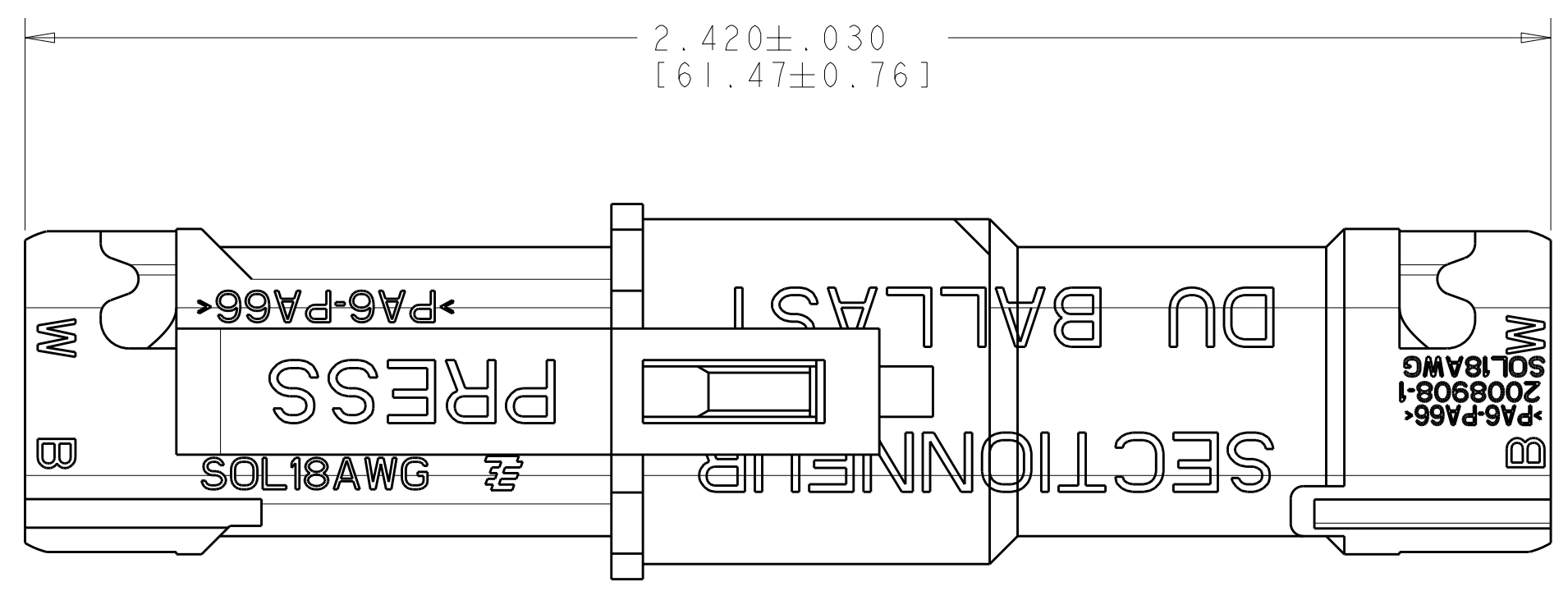
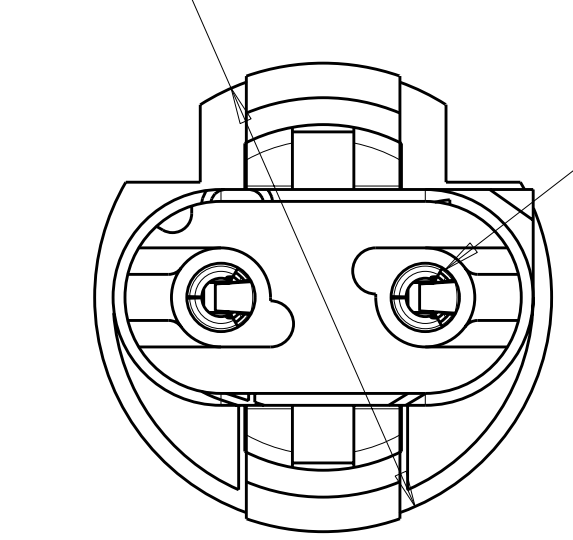


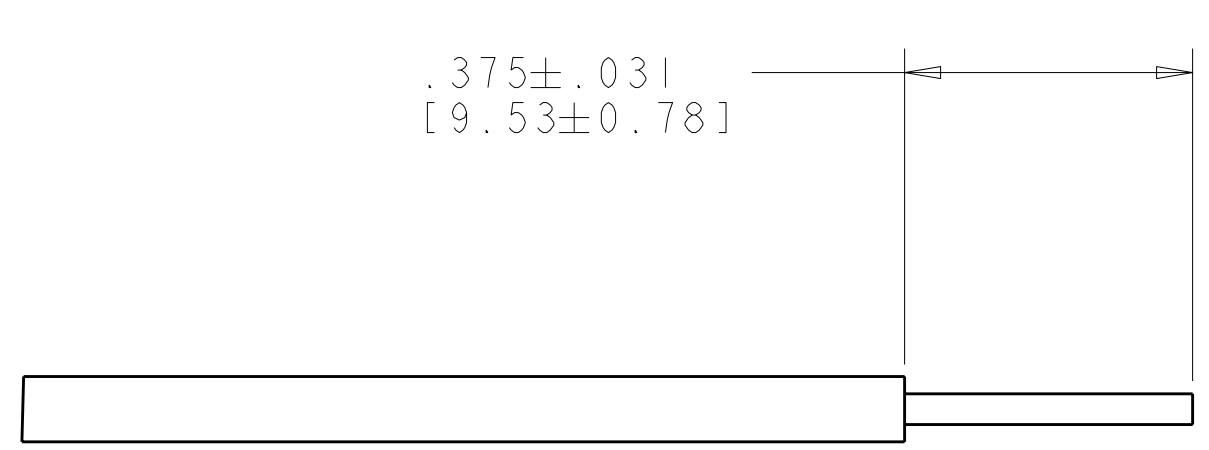
LOC	DIST	REVISIONS			
REV	DATE	DESCRIPTION	DATE	DWN	APVD
AF	50	A	REVISED PER ECR-09-020882	05OCT2009	HMR DD



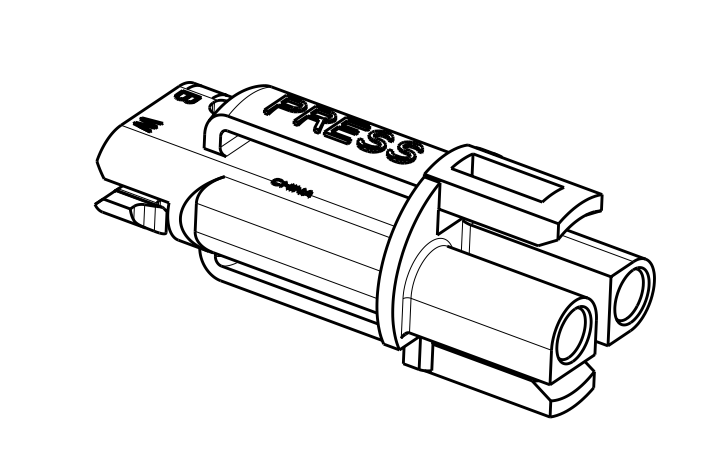
Ø .595±.010  
[15.11±0.25]



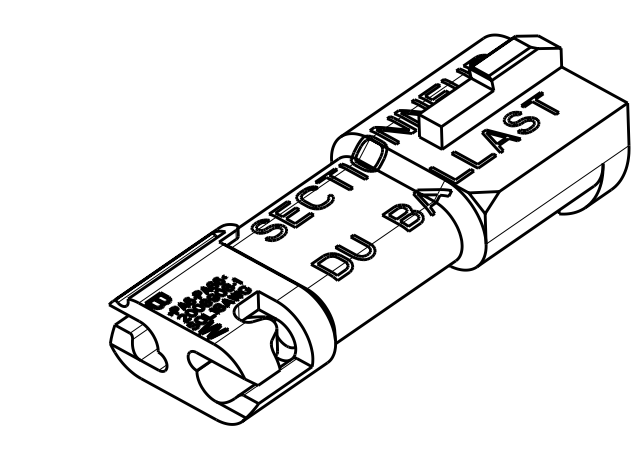
ACCEPTS 18 AWG SOLID WIRE  
WITH .086 [2.18] MAX INSULATION DIAMETER  
BOTH CONNECTORS



RECOMMENDED WIRE STRIP LENGTH



PLUG CONNECTOR ASSEMBLY



RECEPTACLE CONNECTOR ASSEMBLY

DIMENSIONS: IN [mm]		TOLERANCES UNLESS OTHERWISE SPECIFIED: 9 PLC ± 1 PLC ± 2 PLC ± 3 PLC ± 4 PLC ± ANGLES ± FINISH ±		DWN S. GURURAJ 17JAN2008 CHK MCCARTHY 17JAN2008 APVD		Tyco Electronics Harrisburg, PA 17105-3608	
PRODUCT SPEC 108-2275 APPLICATION SPEC 114-13204		NAME ASSEMBLY, MATED PAIR, 2 POSITION PLUG AND RECEPTACLE PT, LIGHT-N-LOK		SIZE CAGE CODE DRAWING NO A1100779C=2008910		RESTRICTED TO	
MATERIAL		FINISH		WEIGHT		CUSTOMER DRAWING	
SCALE 2:1		SHEET 1 OF 1		REV A		2008910-1 PART NUMBER	

# Mouser Electronics

Authorized Distributor

Click to View Pricing, Inventory, Delivery & Lifecycle Information:

[TE Connectivity:](#)

[2008910-1](#)