

4

3

2

1

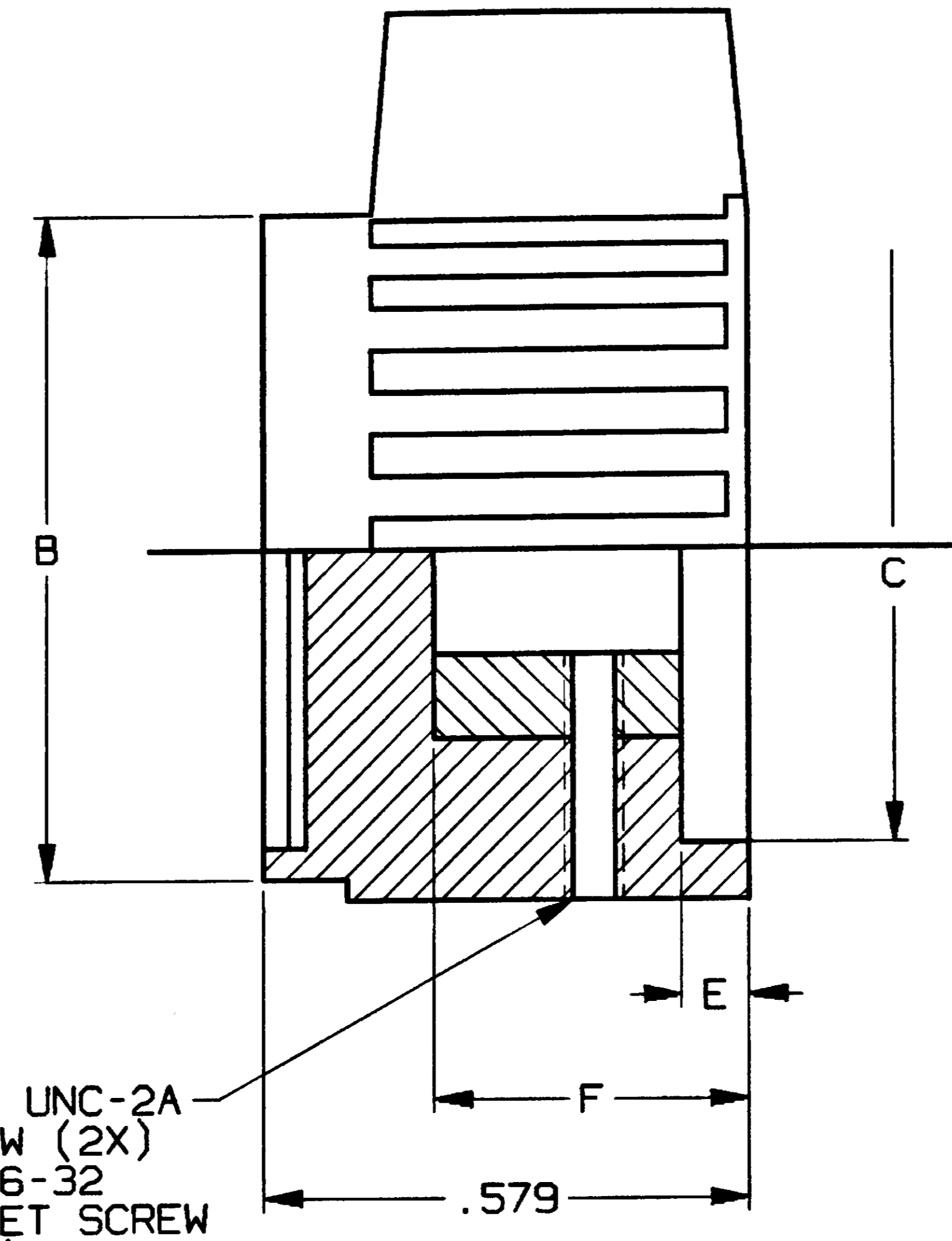
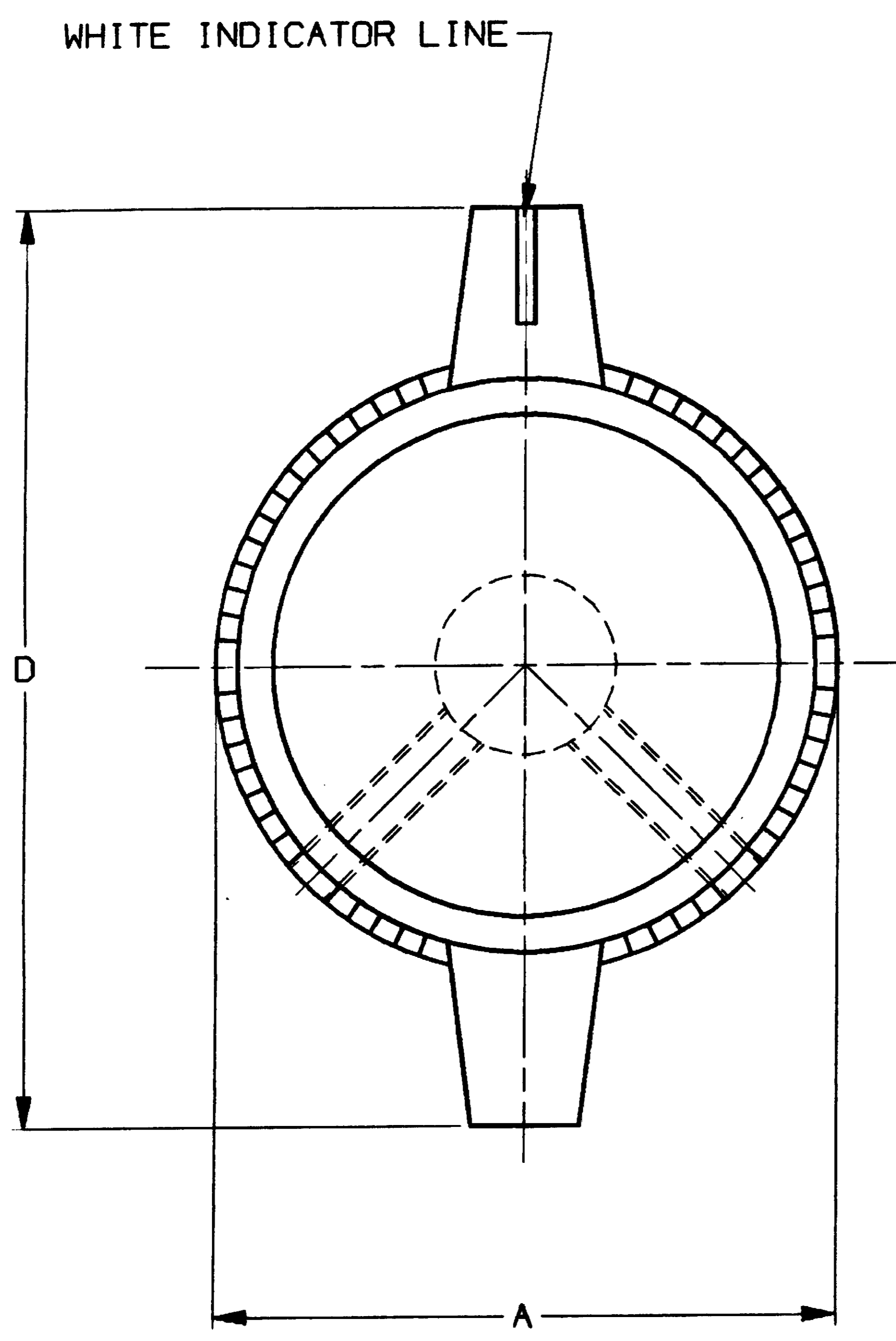
CONVERSION CHART	
INCH	MM
.005	0.13
.015	0.38
.080	2.03
.091	2.30
.250	6.35
.460	11.68
.465	11.80
.579	14.70
.590	14.99
.700	17.78
.740	18.80
.810	20.57
.860	21.84
.898	22.8
.990	25.15
1.000	25.50
1.06	27.00
1.280	32.51
1.62	41.10

SPECIFICATIONS:

MATERIALS:
 BODY: PHENOLIC, COLOR: BLACK.
 SHAFT HOLE INSERT: COPPER ALLOY.
 SET SCREW: STEEL.
 INLAY: ALUMINUM, SPUN FINISH.

NOTES:

1. INTERPRET DRAWING PER ANSI Y14.5M-1982.
2. SUPPLIED WITH HEX HEAD, CUP POINT SET SCREWS ASSEMBLED.
3. BURRS CAUSED BY TAPPING MUST NOT INTERFERE WITH SHAFT INSERTION TO FULL SHAFT DEPTH NOR ARE THEY ALLOWED ABOVE OUTER SURFACE.
4. ALL CORNERS OR RADII TO BE .005 MAXIMUM.



NO. 6-32 UNC-2A
 SET SCREW (2X)
 AND NO. 6-32
 UNC-2B SET SCREW
 HOLE (2X)

MODEL NO.	DIMENSIONS						
	A DIA.	B DIA.	C DIA.	DIM. D	DIM. E	DIM. F	SHAFT HOLE DIA.
PKGP-70B-1/4	.740	.700	.590	.990	.080	.460	.250
PKGP-90B-1/4	.860	.810	.700	1.280	.080	.460	.250
PKGP-100B-1/4	1.06	1.000	.898	1.62	.091	.465	.250

OUTLINE DRAWING
 SPECIFICATIONS ARE SUBJECT TO CHANGES WITHOUT NOTICE

THIRD ANGLE PROJECTION

UNLESS OTHERWISE SPECIFIED DIMENSIONS ARE IN INCHES DO NOT SCALE PRINT

FILE NAME: 80779OUT DIRECTORY: KNOBS

MATERIAL: SEE SPECIFICATIONS

FINISH: SEE SPECIFICATIONS

TOLERANCES (EXCEPT AS NOTED)
 ANGULAR = ±1°
 DECIMAL .XX = ±
 DECIMAL .XXX = ±.015
 DECIMAL .XXXX = ±

AUGAT CONFIDENTIAL
 This document contains information which is the exclusive property of Augat Inc. Distribution, reproduction or use by others is not permitted without the expressed written consent of Augat Inc.

ORIGINAL DATE OF DRAWING: 10-16-96

DRAWN: S.KIRCORIAN DATE: 10-16-96

CHECKED: DATE:

APPROVED: *[Signature]* DATE: 10-21-96

CODE IDENT. NO. 91506 DWG. SIZE C

NEXT ASSY:

THIS IS A C.A.D. GENERATED DRAWING. DO NOT MAKE MANUAL REVISIONS TO MASTER.

AUGAT 452 JOHN DIETSCH BLVD. ATTLEBORO FALLS, MASS. 02763 INC.

TITLE: **OUTLINE DRAWING KNOB (PKGP) SERIES**

DWG. NO. 80779-SD REV. 0

PRODUCT CODE: M12

SCALE: SHEET 1 OF 1

REV	0
INITIAL RELEASE	
ESR# A8014	
SEK 10-16-96	
APP'D: <i>[Signature]</i>	

4

3

2

1

CAD060992C

Mouser Electronics

Authorized Distributor

Click to View Pricing, Inventory, Delivery & Lifecycle Information:

[TE Connectivity:](#)

[PKGP70B1/4](#)