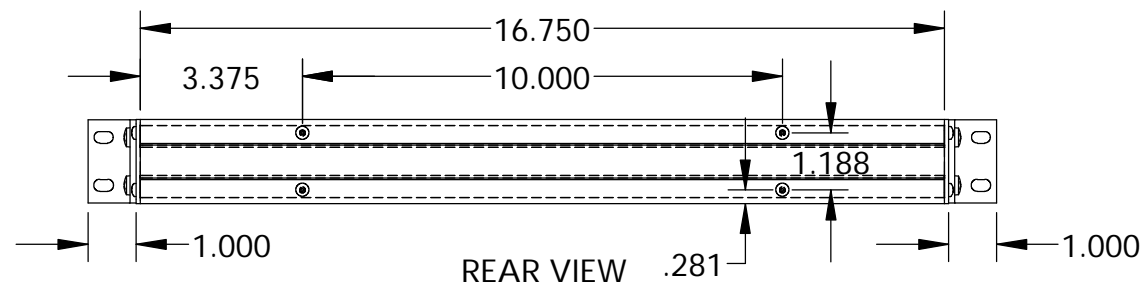


UNIT SHIPPED UNASSEMBLED.

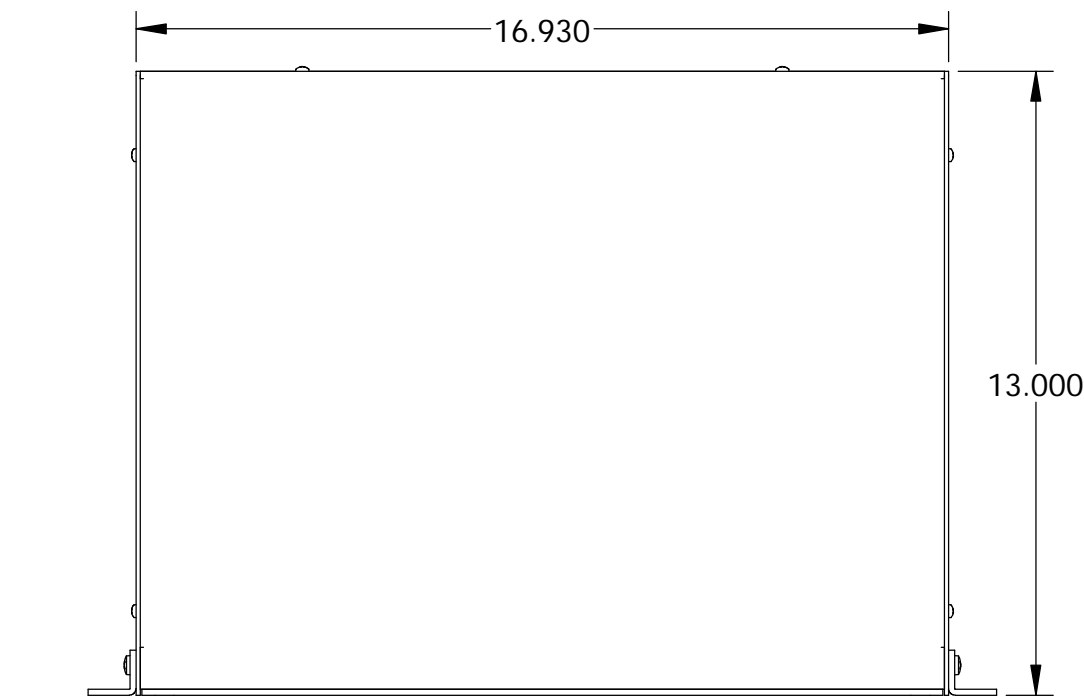
OUTER BRACKETS FOR MOUNTING IN STANDARD 19" WIDE CABINETS.

OPTIONAL SELF-ADHESIVE RUBBER FEET (SUPPLIED)

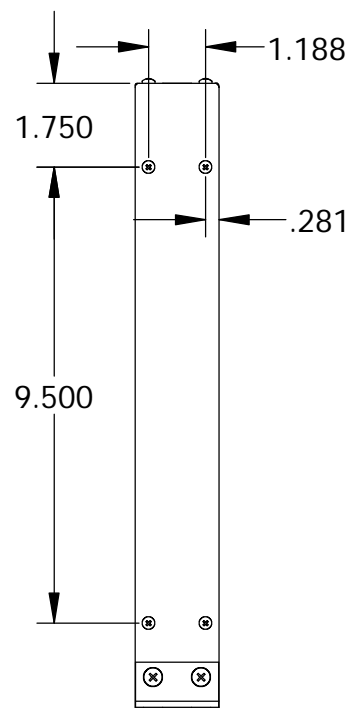
LOAD RATING: 25 LBS. MAX.



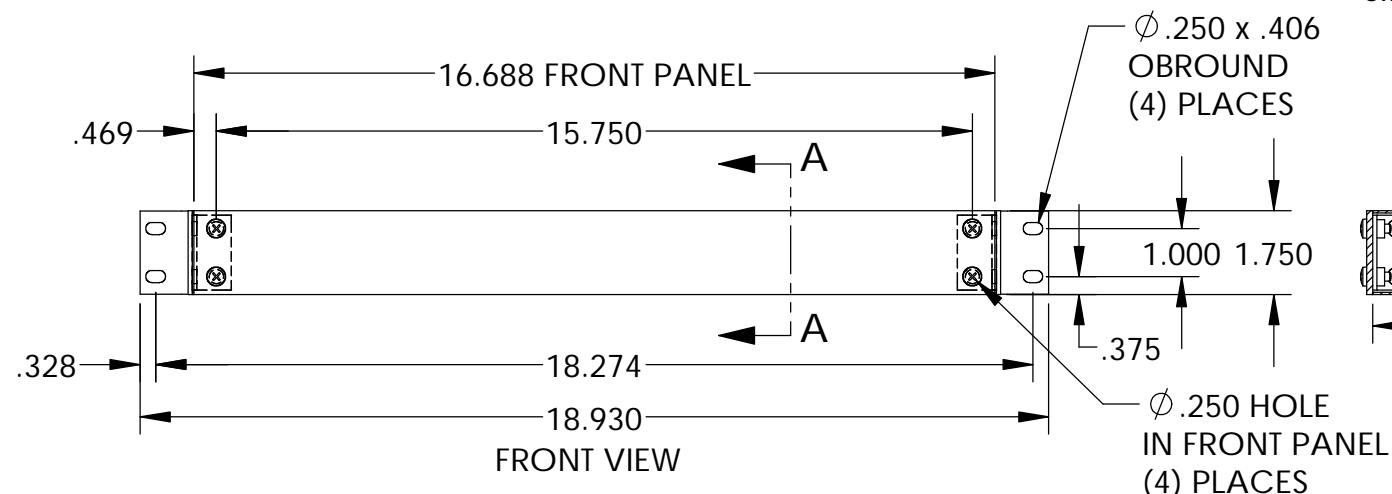
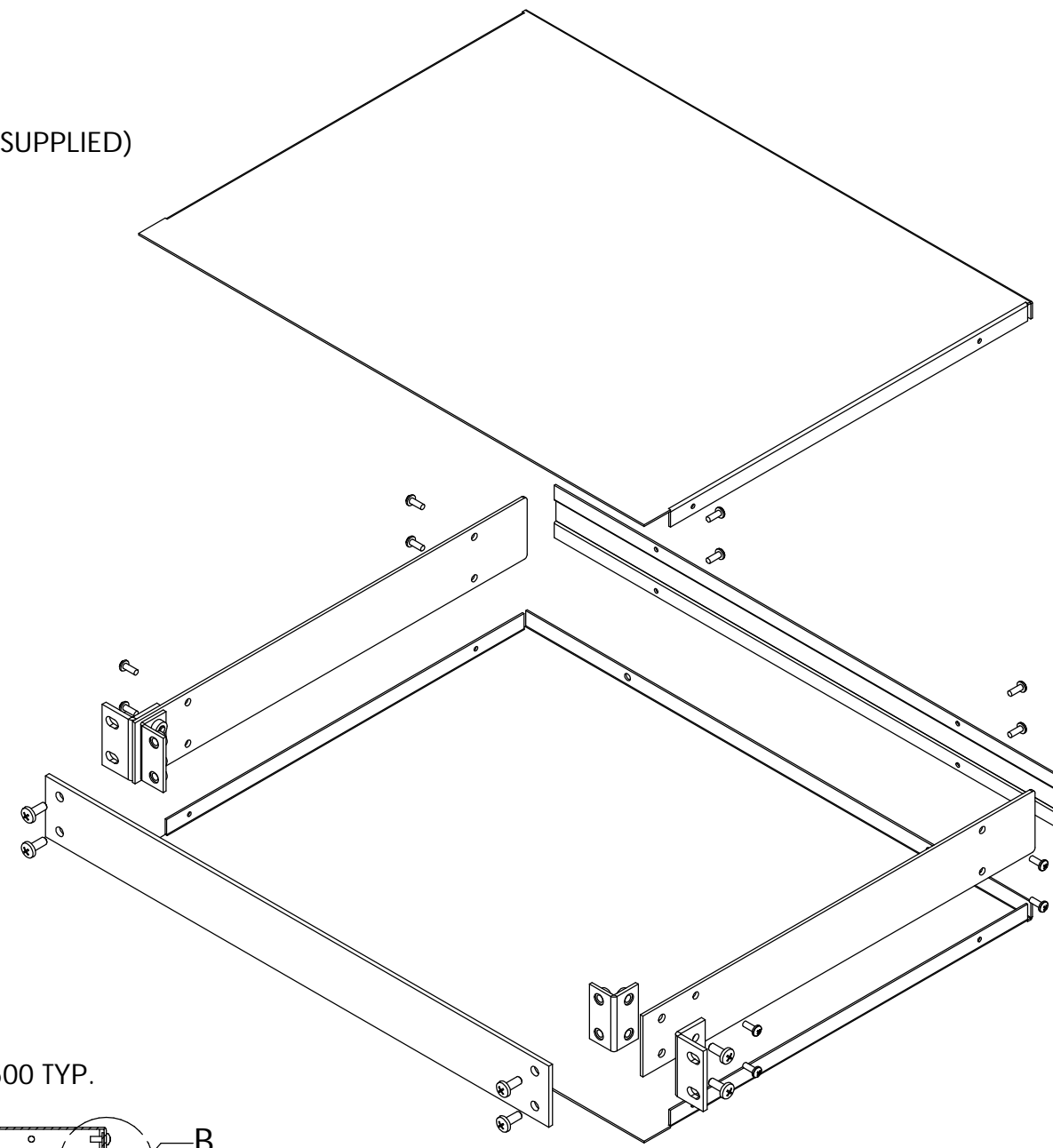
REAR VIEW



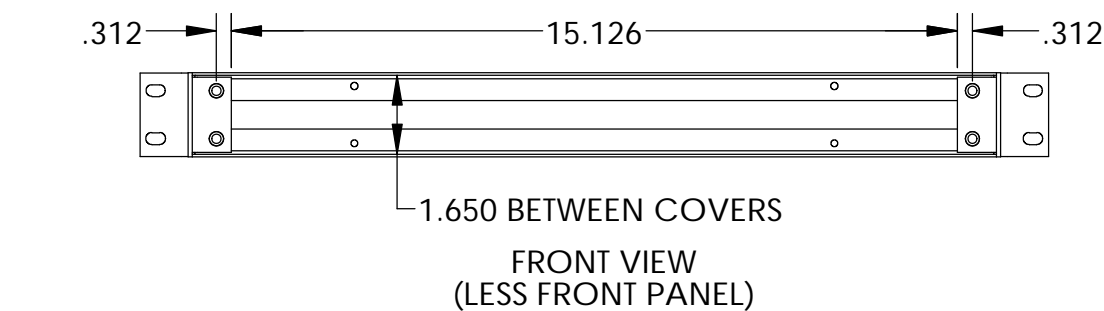
TOP VIEW



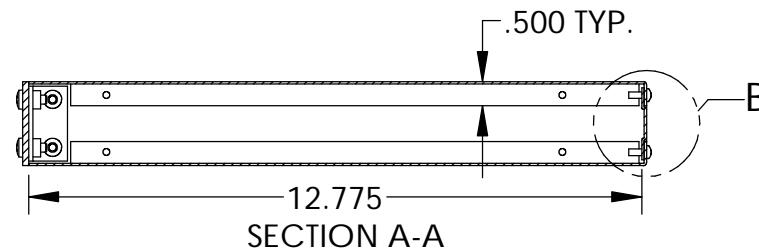
SIDE VIEW



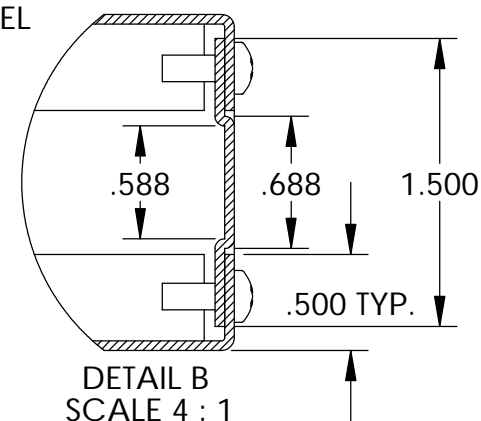
FRONT VIEW



FRONT VIEW (LESS FRONT PANEL)



SECTION A-A



DETAIL B SCALE 4 : 1

Ø .250 x .406
OBROUND
(4) PLACES

Ø .250 HOLE
IN FRONT PANEL
(4) PLACES

MATERIAL:

- BACK & COVERS _____ 0.050 THICK ALUMINUM
- SIDES & INNER BRACKETS _____ 0.090 THICK ALUMINUM
- FRONT PANEL _____ 0.125 THICK ALUMINUM
- OUTER BRACKETS _____ 11 GA. C.R.S.

FINISH:

- BACK & COVERS _____ PREPAINTED SMOOTH WHITE
- SIDES & OUTER BRACKETS _____ WHITE TEXTURED
- FRONT PANEL _____ NATURAL (OUTSIDE SURFACE TAPED WITH PVC)
- INNER BRACKETS _____ NATURAL
- FEET _____ BLACK

Mouser Electronics

Authorized Distributor

Click to View Pricing, Inventory, Delivery & Lifecycle Information:

[Bud Industries:](#)

[NHC-14152](#)