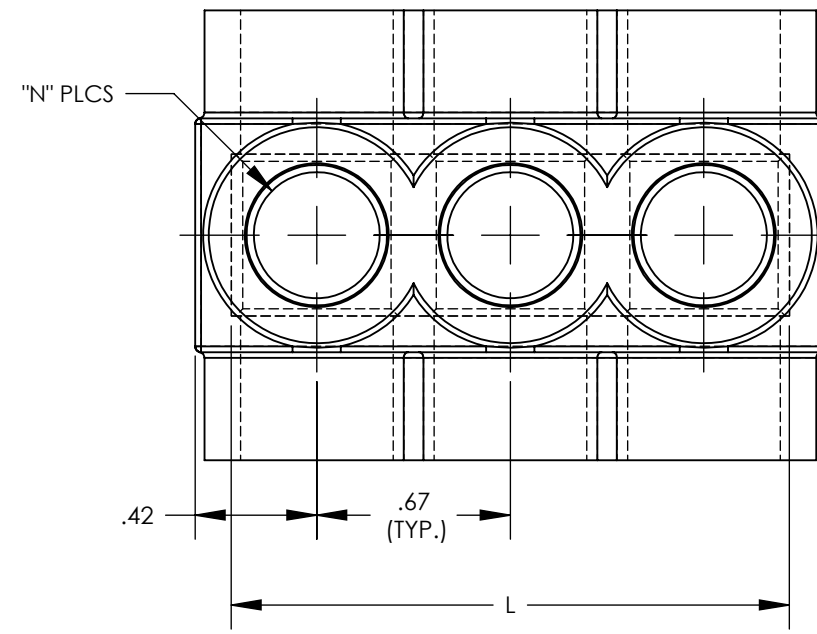
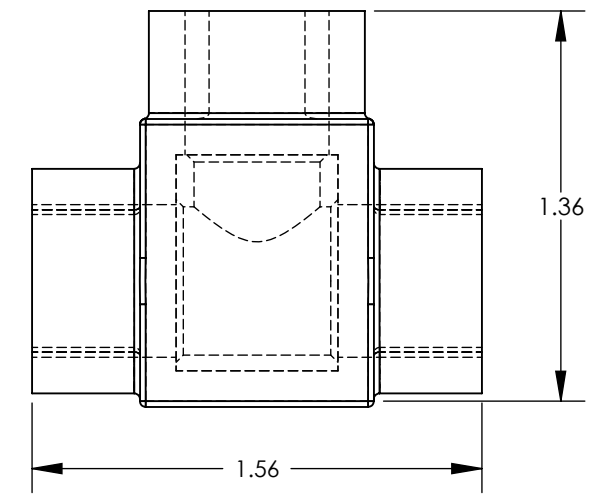
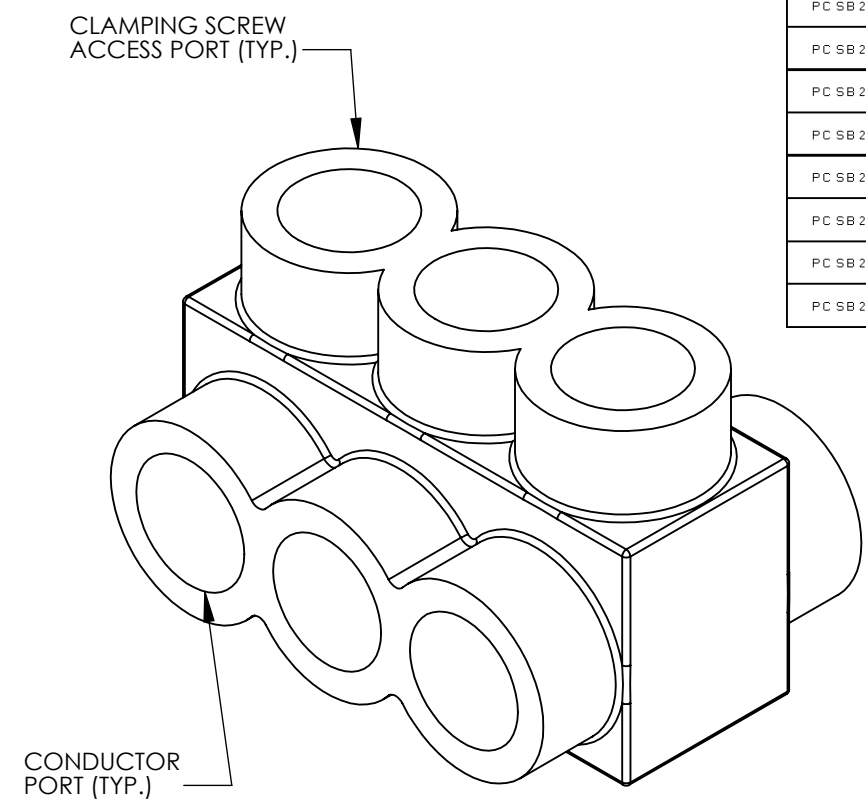
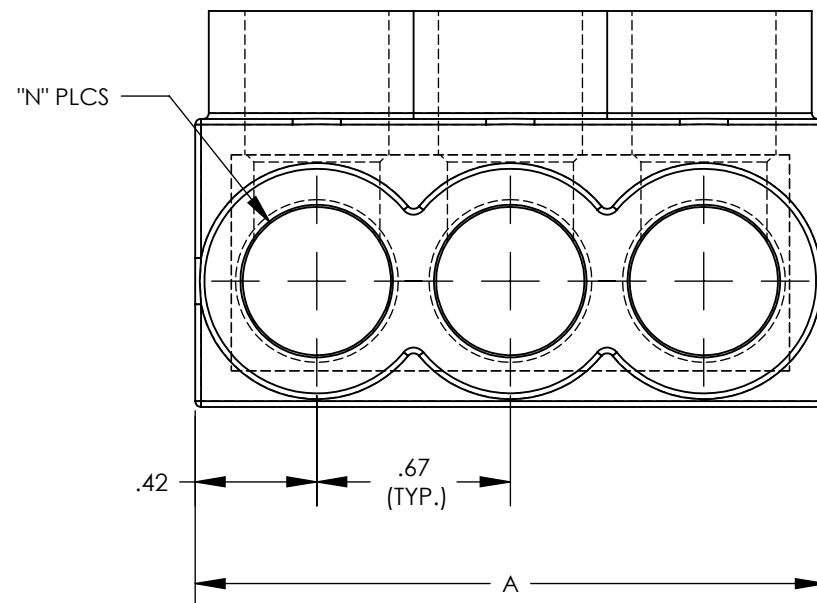


THIS COPY IS PROVIDED ON A RESTRICTED BASIS AND IS NOT TO BE USED IN ANY WAY DETRIMENTAL TO THE INTERESTS OF PANDUIT CORP.



THREE PORT CONNECTOR BLOCK SHOWN WITH PLASTIC CLOSURE PLUGS REMOVED. SEE TABLE FOR DIMENSIONS OF PARTS WITH ADDITIONAL PORTS



PANDUIT FINISHED GOODS PIN	CONDUCTOR RANGE	HEX KEY	SCREW QTY.	CAP (SCREW PORT) QTY.	CAP (WIRE PORT) QTY.	A	L	N	TIGHTENING TORQUE
PCSB250-2-6-Y	250 kcmil - # 10 STR	5/16	2	2	4	2.03	1.781	2	2.75 lbf·ft
PCSB250-3-6-Y		5/16	3	3	6	2.97	2.718	3	
PCSB250-4-6-Y		5/16	4	4	8	3.91	3.656	4	
PCSB250-5-4-Y		5/16	5	5	10	4.84	4.593	5	
PCSB250-6-4-Y		5/16	6	6	12	5.78	5.531	6	
PCSB250-8-3-Y		5/16	8	8	16	7.66	7.406	8	
PCSB250-10-2-Y	250 kcmil - # 10 STR	5/16	10	10	20	9.53	9.281	10	
PCSB250-12-2-Y		5/16	12	12	24	11.41	11.156	12	
PCSB250-14-1-Y		5/16	14	14	28	13.28	13.031	14	



NOTES:

- UL486A-UL486B LISTED, DUAL RATED CU9AL FOR ALUMINUM OR COPPER CONDUCTORS. MEETS OR EXCEEDS ANSI C119.4
- SEE TABLE FOR WIRE RANGE.
- STRIP LENGTH: .88 +.06/-0
- FOR TIGHTENING TORQUE SEE TABLE
- VOLTAGE RATING: 600 V. MAX. BUILDING WIRE, 1000 V. MAX. IN SIGNS & FIXTURES.
- TEMPERATURE RATING: 90°C (CU9AL).
- CONNECTOR BLOCK BODY ARE MADE FROM ALUMINUM. CONDUCTOR PORTS IN CONNECTOR BLOCK ARE PREFILLED WITH AN OXIDE-INHIBITING COMPOUND.
- CONNECTOR TO INCLUDE TIN PLATED ALUMINUM CLAMPING SCREWS FOR EACH CONDUCTOR PORT.
- INSULATION MATERIAL IS CLEAR PVC.
- CLAMPING SCREW ACCESS PORTS AND ALL WIRE ENTRY PORTS ARE PROVIDED WITH REMOVABLE PLASTIC CLOSURE PLUGS.
- ALL DIMENSIONS SHOWN ARE NOMINAL.
- ONLY ONE CONDUCTOR PER PORT ALLOWED.
- PACKAGE QTY: -12 = 12 PCS.
-6 = 6 PCS.
-4 = 4 PCS.
- THIS PART IS RoHS COMPLIANT.

REV	DATE	BY	CHK	APR	DESCRIPTION	ECN
05	2/13	JHNU	JHNU	RGB	REVISED TITLE BLOCK	N41571BB-C41571

TITLE MULTI-TAP INSULATED CONNECTORS PCSB250 SERIES CUSTOMER DRAWING		PANDUIT
ITEM REVISION NAME	C41571BB-C41571/05	
DATASET FILE NAME	C41571/05.SLDDRW	MATERIAL SEE NOTES
UNLESS OTHERWISE SPECIFIED, DIMENSIONAL TOLERANCES ARE: IN [mm] .X ± .XX ± .02		
DRAWN BY MS		DRAWING NUMBER C41571_05
DATE 8/99	CHK RLS	
SCALE NONE	THIRD ANGLE PROJECTION	SHEET 1 OF 1
		SIZE B

Mouser Electronics

Authorized Distributor

Click to View Pricing, Inventory, Delivery & Lifecycle Information:

Panduit:

[PCSB250-6-4Y](#) [PCSB250-10-2Y](#) [PCSB250-3-6Y](#) [PCSB250-12-2Y](#) [PCSB250-5-4Y](#) [PCSB250-2-6Y](#) [PCSB250-14-1Y](#) [PCSB250-4-6Y](#)