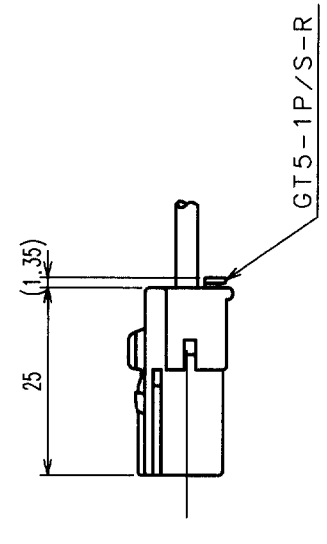
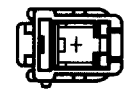
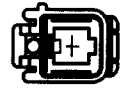
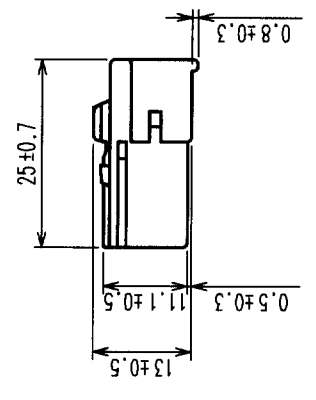
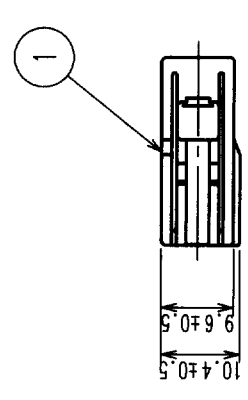


COUNT	DESCRIPTION OF REVISIONS	BY	CHKD	DATE	COUNT	DESCRIPTION OF REVISIONS	BY	CHKD	DATE
△					△				
△					△				
△					△				



CONNECTOR ASSEMBLED WITH A RETAINER

NOTE1. THIS CONNECTOR SHALL BE USED WITH A RETAINER
 (CL755-0006-2) .
 2. APPLICABLE CONNECTOR: GT5-1PP-HU (A) (CL755-0039-1)
 GT5-1P-DS (A) (CL755-0041-3)

HRS DRAWING FOR REFERENCE

NO.	PBT	MATERIAL	FINISH, REMARKS	NO.	MATERIAL	FINISH, REMARKS	DESIGNED	CHECKED	APPROVED	RELEASED
1	UL94V-0, BROWN						T. IKEDA	M. Okada	K. Kato	
CODE NO. (OLD)		DRAWN		DESIGNED		CHECKED		APPROVED		RELEASED
		T. IKEDA		T. IKEDA		M. Okada		K. Kato		
		'01.11.19		'01.11.19		01.11.27		01.11.27		
DRAWING NO.		PART NO.		DRAWING NO.		PART NO.		DRAWING NO.		PART NO.
EDC3-165292		GT5-1S-HU(A)		EDC3-165292		GT5-1S-HU(A)		EDC3-165292		GT5-1S-HU(A)
SCALE		UNITS		SCALE		UNITS		SCALE		UNITS
1 : 1		JIS		1 : 1		JIS		1 : 1		JIS
HRS		HIROSE ELECTRIC CO., LTD		HRS		HIROSE ELECTRIC CO., LTD		HRS		HIROSE ELECTRIC CO., LTD
CODE NO.		CODE NO.		CODE NO.		CODE NO.		CODE NO.		CODE NO.
CL755-0037-6		CL755-0037-6		CL755-0037-6		CL755-0037-6		CL755-0037-6		CL755-0037-6

TO			
----	--	--	--