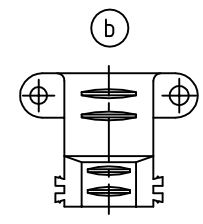
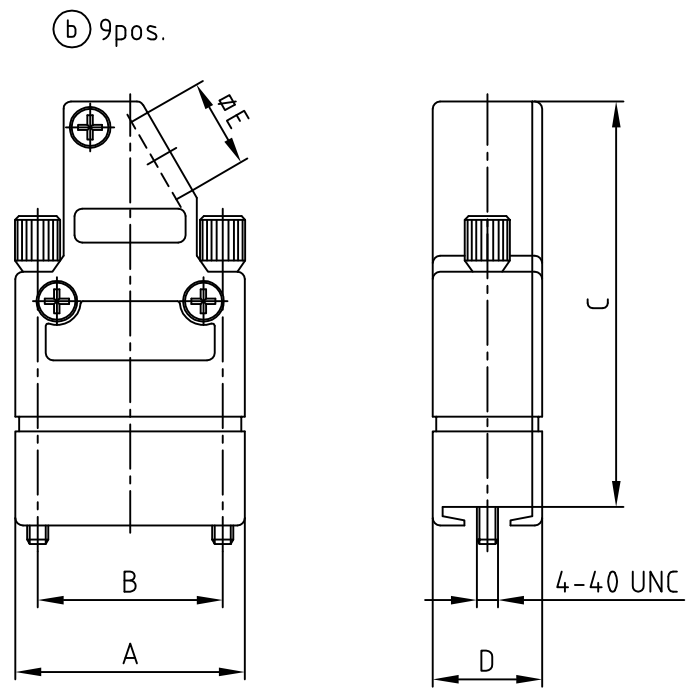
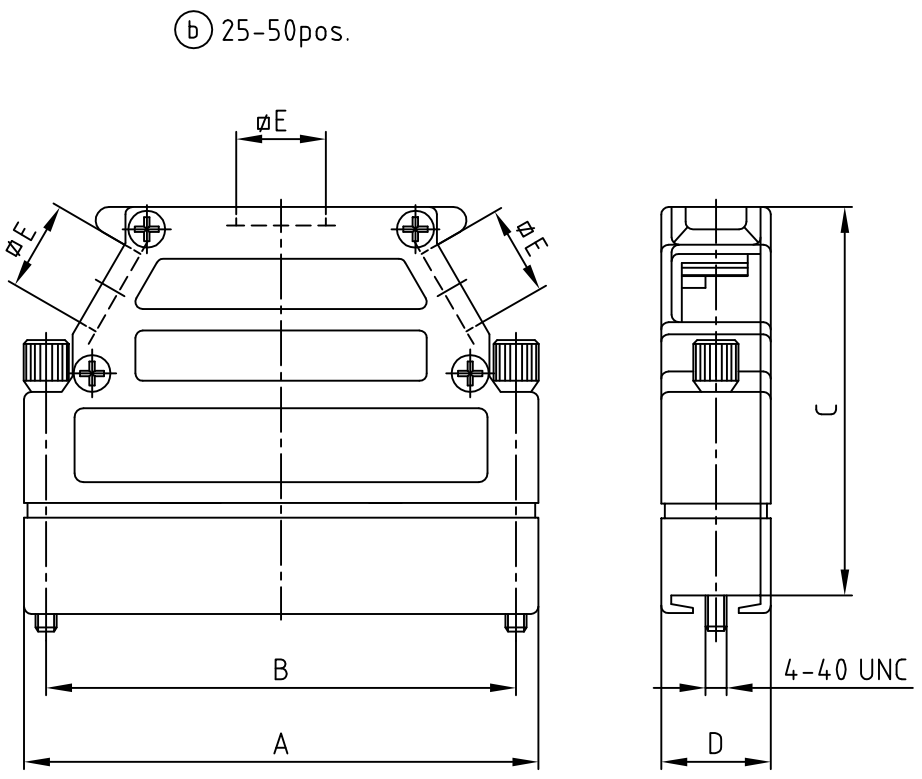
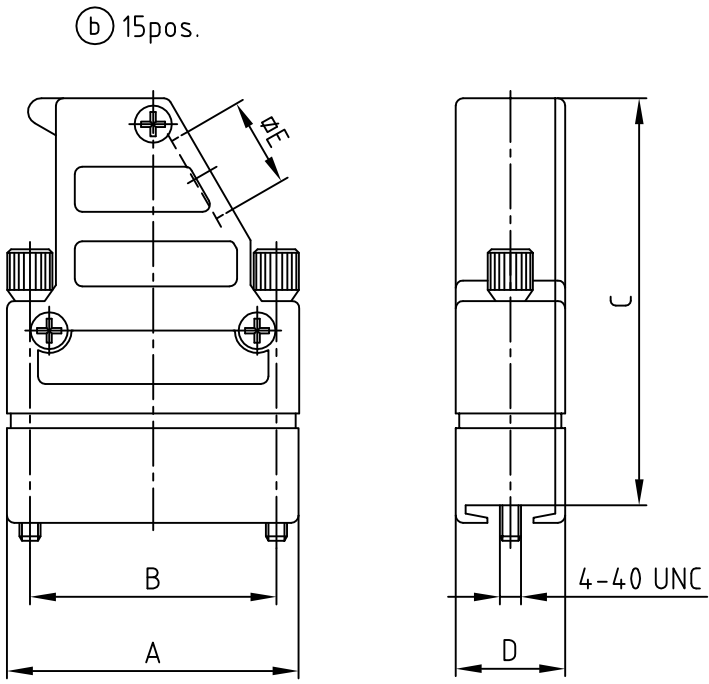


used for: D-SUB

No. of pos.	(b)		(b)		Part No. Bulk package	Part No. Single package
	A	B	C	D		
9	31.0	25.0	50.5	14.8	165X14409X	165X14409XE
15	39.4	33.3	55.0	14.8	165X14419X	165X14419XE
25	53.2	47.0	55.0	14.8	165X14429X	165X14429XE
37	69.6	63.5	55.0	14.8	165X14439X	165X14439XE
50	67.0	61.1	57.0	17.6	165X14449X	165X14449XE



Cable clamp has to be ordered separately.
 9-37pos. Part-no. 160X11189X
 50pos. Part-no. 160X11199X



- Ⓒ Delivery includes:
- Hood with cover
- Blanking plug:
 - 9-15pos.: without blanking plug
 - 25-50pos.: with 2 blanking plugs
- Screws for fixing:
 - 9-15pos.: with 3 screws
 - 25-50pos.: with 4 screws
- 1 earth screw
- 2 jack screws

Directive 2002/95/EC RoHS compliant

THIS DRAWING MAY NOT BE COPIED OR REPRODUCED IN ANY WAY, AND MAY NOT BE PASSED ON TO A THIRD PARTY WITHOUT WRITTEN PERMISSION. OWNERSHIP AND COPYRIGHT OF CONEC GmbH DO NOT ALTER CAD DRAWING BY HAND

tolerance		dim. in mm	
2001	date	name	
drawn	05.01.	Parei	
appd.	05.01.	E. Mickenbecker	
norm			
1 x c	Ä 4037	15.07.2011	Lehmen, d-old
7 x b	Ä 3657	18.05.2010	Lehmen,
a	Original		
rev.	description	date	name



scale:	1:1
material:	HOOD WITH COVER: DIE-CAST ZINC
title:	METAL HOOD EMI/RFI SHIELDING 9-50pos. with jack screws 4-40 UNC
dwg no:	16K1A108A
part no:	SEE TABLE
	DIN-A 3 sh:1/1

Mouser Electronics

Authorized Distributor

Click to View Pricing, Inventory, Delivery & Lifecycle Information:

[CONEC:](#)

[165X14429X](#) [165X14449X](#)